

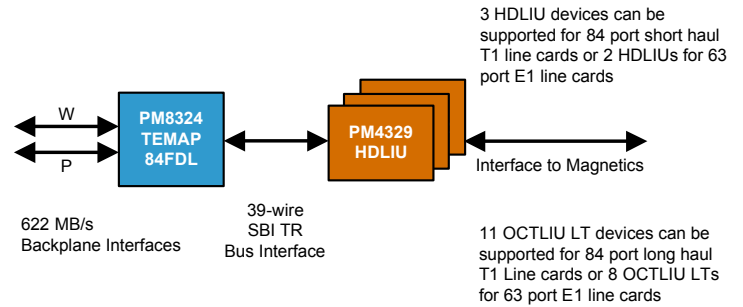


- Each E1 transceiver:
  - Detects the presence of remote alarm and AIS patterns
  - Integrates Red and AIS alarms
  - Supports ingress performance monitoring, support for HDLC messages in the National Use bits, Sa-bit codewords, and V5.2 link ID detection
- Contains desynchronizers and jitter attenuators (JATs) that provide Jitter and Wander compliant E1, T1, DS3, and E3 physical interfaces without the need for external jitter attenuators
- Provides an input and output T1/E1 tributary cross-connect to allow switching of tributaries between the VT/TU mapper, M13 multiplexer and SBI TR bus

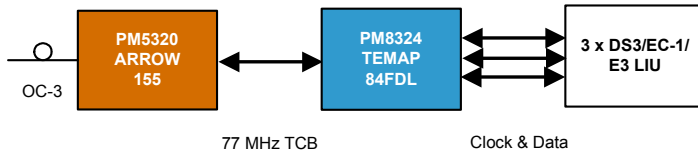
## Applications

- Long Haul T1/E1 Line Cards
- Short Haul T1/E1 Line Cards

## T1/E1 Line Card

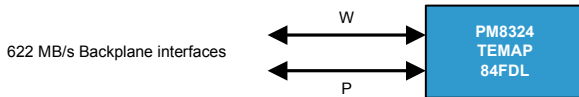


## 3-Port DS3/E3/EC-1/Transmux Line Card



## Portless Transmux

Interworks 84 T1 channels between Channelized DS3 and SONET VT



Corporate Head Office:  
 PMC-Sierra, Inc.  
 Mission Towers One  
 3975 Freedom Circle  
 Santa Clara, CA, 95054, U.S.A.  
 Tel: 1.408.239.8000  
 Fax: 1.408.492.1157

Operations Head Office:  
 PMC-Sierra, Inc.  
 100-2700 Production Way  
 Burnaby, BC V5A 4X1 Canada  
 Tel: 1.604.415.6000  
 Fax: 1.604.415.6200



*Enabling connectivity. Empowering people.*