

Product/process change notification

PCN N° 2022-001-A

Dear customer,

Please find attached our Infineon Technologies AG PCN:

Capacity extension and harmonization of mould compound for dedicated OptiMOS™ products in PG-TDSON-8 package at Tongfu Microelectronics Co. Ltd China

Important information for your attention:

- Please respond to this PCN by indicating your decision on the approval form, sign it and return to your sales partner before **2022-07-11**
- Infineon aligns with the widely recognized JEDEC STANDARD “**JESD46**“, which stipulates: **“Lack of acknowledgement of the PCN within 30 days constitutes acceptance of the change.”**

Your prompt reply will help Infineon to assure a smooth and well-executed transition. If Infineon does not hear from your side by the due date, we will assume your full acceptance to this proposed change and its implementation.

Your attention and response to this matter is greatly appreciated.



On 16 April 2020, Infineon acquired Cypress. We are now in the process of merging and consolidating our tools and processes for PCN, Information Notes, Errata and Product Discontinuance. For further details, please visit our website: <https://www.infineon.com/cms/en/about-infineon/company/cypress-acquisition/>

Infineon Technologies AG

Postal address D-81726 München Internet www.infineon.com Headquarters Am Campeon 1-15, D-85579 Neubiberg Phone +49 (0)89 234-0

Chairman of the Supervisory Board Dr. Wolfgang Eder

Management Board Jochen Hanebeck (CEO), Dr. Helmut Gassel, Constanze Hufenbecher, Dr. Sven Schneider, Dr. Rutger Wijburg

Registered office Neubiberg Commercial register Amtsgericht München HRB 126492

Product/process change notification

PCN N° 2022-001-A

► **Products affected**

Please refer to attached affected product list 1_cip22001_a

► **Detailed change information**

Subject Capacity extension and harmonization of mould compound at Tongfu Microelectronics Co. Ltd. for PG-TDSON-8 package

Reason Expansion of assembly and test production to cover increasing customer demand, and enable flexible manufacturing

Description	<u>Old</u>	<u>New</u>
Assembly and final test location	<ul style="list-style-type: none"> ■ Infineon Technologies Malaysia Sdn. Bhd., Melaka and ■ Subcontractor ATX (Weihai) Inc., China and ■ Infineon Technologies Wuxi Co., Ltd., China and ■ Subcontractor Tongfu Microelectronics Co. Ltd., China (<u>partially</u>)* 	<ul style="list-style-type: none"> ■ Infineon Technologies Malaysia Sdn. Bhd., Melaka and ■ Subcontractor ATX (Weihai) Inc., China and ■ Infineon Technologies Wuxi Co., Ltd., China and ■ Subcontractor Tongfu Microelectronics Co. Ltd., China
Mould Compound	<ul style="list-style-type: none"> ■ Hitachi CEL 1772 and ■ Hitachi CEL 9240 	<ul style="list-style-type: none"> ■ Hitachi CEL 9240

* products released already with PCN 2019-001-A

► **Product identification**

Internal traceability via Baunumber, Lotnumber, date code and marking on device and external traceability via marking on device (details 3_cip22001_a)

Product/process change notification

PCN N° 2022-001-A

► Impact of change

NO change on electrical and thermal performance

NO impact on the device reliability as proven via product qualification and characterization.

NO impact on the electrical parameters and device processability at customer end. Assembly processes are optimized to meet product performance according to already applied Infineon specification

Update of package outline drawing in the datasheet (3_cip22001_a)

► Attachments

1_cip22001_a	affected product list
3_cip22001_a	customer information package

► Time schedule

■ Final qualification report	available
■ First samples available	on request
■ Intended start of delivery	2022-08-01 or earlier based on customer approval

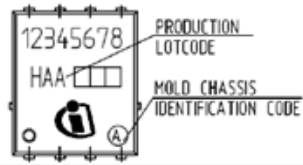



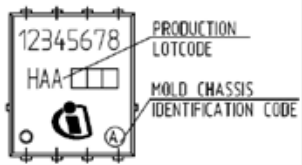



If you have any questions, please do not hesitate to contact your local sales office.

**Capacity extension and harmonization of
mould compound for dedicated OptiMOS™
products in PG-TDSON-8 package at
Tongfu Microelectronics Co. Ltd.**

PCN 2022-001-A



Comparison of Marking on Device

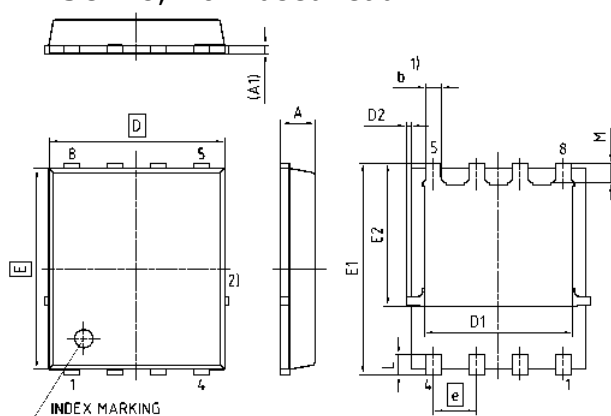
	Old	New
Assembly and final test location	<ul style="list-style-type: none"> Infineon Technologies Malaysia Sdn. Bhd., Melaka Subcontractor ATX (Weihai) Inc., China Infineon Technologies Wuxi Co., Ltd., China Subcontractor Tongfu Microelectronics Co. Ltd., China 	<ul style="list-style-type: none"> Infineon Technologies Malaysia Sdn. Bhd., Melaka Subcontractor ATX (Weihai) Inc., China Infineon Technologies Wuxi Co., Ltd., China Subcontractor Tongfu Microelectronics Co. Ltd., China
Marking on Device	<ul style="list-style-type: none"> Infineon Technologies Malaysia Sdn. Bhd., Melaka  Subcontractor ATX (Weihai) Inc., China  Infineon Technologies Wuxi Co., Ltd., China  Subcontractor Tongfu Microelectronics Co. Ltd., China (partially)*  	<ul style="list-style-type: none"> Infineon Technologies Malaysia Sdn. Bhd., Melaka  Subcontractor ATX (Weihai) Inc., China  Infineon Technologies Wuxi Co., Ltd., China  Subcontractor Tongfu Microelectronics Co. Ltd., China 

* products released already with PCN 2019-001-A

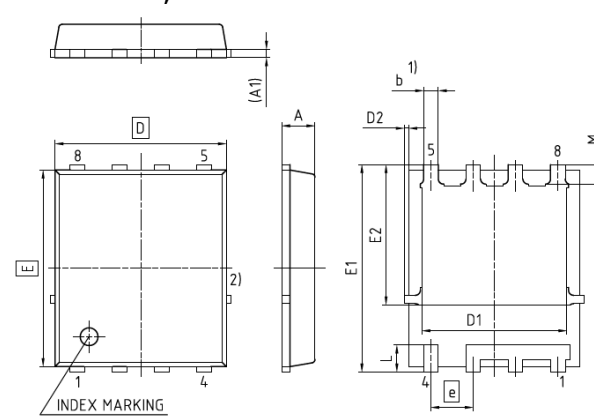
Package Outline Drawing Comparison

SYMBOL	Non fused lead				SYMBOL	Fused lead			
	TDSON-8 (old) [mm]		TDSON-8 (new) [mm]			TDSON-8 (old) [mm]		TDSON-8 (new) [mm]	
	Issue: 11/01/2017 Rev: 06		Issue: 06/06/2019 Rev: 07			Issue: 02/08/2011 Rev: 01		Issue: 19/06/2019 Rev: 03	
	MIN	MAX	MIN	MAX		MIN	MAX	MIN	MAX
A	0.90	1.10	0.90	1.20	A	0.90	1.10	0.90	1.20
A1	0.15	0.35	0.15	0.35	A1	0.15	0.35	0.15	0.35
b	0.31	0.54	0.34	0.54	b	0.34	0.54	0.34	0.54
D	4.95	5.35	4.80	5.35	D	4.95	5.35	4.80	5.35
D1	3.70	4.40	3.90	4.40	D1	3.70	4.40	3.70	4.40
D2	0.02	0.22	0.03	0.23	D2	0.02	0.22	0.02	0.23
E	5.70	6.10	5.70	6.10	E	5.90	6.10	5.70	6.10
E1	5.95	6.35	5.90	6.42	E1	6.05	6.25	5.90	6.42
E2	3.81	4.31	3.88	4.31	E2	3.81	4.31	3.88	4.42
e	1.27		1.27		e	1.27		1.27	
L	0.45	0.71	0.45	0.71	L	0.74	0.84	0.69	0.90
M	0.45	0.75	0.45	0.69	M	0.45	0.66	0.45	0.69

TDSON-8, Non fused lead



TDSON-8, Fused lead





Part of your life. Part of tomorrow.



PCN N° 2022-001-A

Capacity extension and harmonization of mould compound for dedicated OptiMOS™ products in PG-TDSON-8 package at Tongfu Microelectronics Co. Ltd China

Sales name	SP number	OPN	Package
BSC004NE2LS5	SP004950304	BSC004NE2LS5ATMA1	PG-TDSON-8
BSC005N03LS5	SP004819078	BSC005N03LS5ATMA1	PG-TDSON-8
BSC005N03LS5I	SP004819084	BSC005N03LS5IATMA1	PG-TDSON-8
BSC007N04LS6	SP001629650	BSC007N04LS6ATMA1	PG-TDSON-8
BSC009NE2LS	SP000893362	BSC009NE2LSATMA1	PG-TDSON-8
BSC010N04LS	SP000928282	BSC010N04LSATMA1	PG-TDSON-8
BSC010N04LS E8218	SP001643086	BSC010N04LSE8218ATMA1	PG-TDSON-8
BSC010N04LSI	SP000953210	BSC010N04LSIATMA1	PG-TDSON-8
BSC010N04LST	SP001657068	BSC010N04LSTATMA1	PG-TDSON-8
BSC010NE2LS	SP000776124	BSC010NE2LSATMA1	PG-TDSON-8
BSC010NE2LSI	SP000854376	BSC010NE2LSIATMA1	PG-TDSON-8
BSC011N03LS	SP000799082	BSC011N03LSATMA1	PG-TDSON-8
BSC011N03LS E8246	SP005679880	BSC011N03LSE8246ATMA1	PG-TDSON-8
BSC011N03LSI	SP000884574	BSC011N03LSIATMA1	PG-TDSON-8
BSC011N03LST	SP001657064	BSC011N03LSTATMA1	PG-TDSON-8
BSC011N03LST E8218	SP003549456	BSC011N03LSTE8218ATMA1	PG-TDSON-8
BSC014N04LS	SP000871196	BSC014N04LSATMA1	PG-TDSON-8
BSC014N04LS	SP001675468	BSC014N04LSATMA2	PG-TDSON-8
BSC014N04LS E8202	SP001285638	BSC014N04LSE8202ATMA1	PG-TDSON-8
BSC014N04LSI	SP000953212	BSC014N04LSIATMA1	PG-TDSON-8
BSC014N04LST	SP001657070	BSC014N04LSTATMA1	PG-TDSON-8
BSC014N04LST E8218	SP003549462	BSC014N04LSTE8218ATMA1	PG-TDSON-8
BSC014N06NS	SP000924886	BSC014N06NSATMA1	PG-TDSON-8
BSC014N06NS E8218	SP005406111	BSC014N06NSE8218ATMA1	PG-TDSON-8
BSC014N06NST	SP001657072	BSC014N06NSTATMA1	PG-TDSON-8
BSC014NE2LSI	SP000911336	BSC014NE2LSIATMA1	PG-TDSON-8
BSC016N04LS G	SP000394801	BSC016N04LSGATMA1	PG-TDSON-8
BSC016N06NS	SP000924882	BSC016N06NSATMA1	PG-TDSON-8
BSC016N06NS E8230	SP002683698	BSC016N06NSE8230ATMA1	PG-TDSON-8
BSC016N06NST	SP001657074	BSC016N06NSTATMA1	PG-TDSON-8
BSC018NE2LS	SP000756336	BSC018NE2LSATMA1	PG-TDSON-8
BSC018NE2LSI	SP000906030	BSC018NE2LSIATMA1	PG-TDSON-8
BSC019N04LS	SP001067012	BSC019N04LSATMA1	PG-TDSON-8

BSC019N04LST	SP002235178	BSC019N04LSTATMA1	PG-TDSON-8
BSC019N06NS	SP001407774	BSC019N06NSATMA1	PG-TDSON-8
BSC022N04LS	SP001059844	BSC022N04LSATMA1	PG-TDSON-8
BSC024NE2LS	SP000756342	BSC024NE2LSATMA1	PG-TDSON-8
BSC025N08LS5	SP001385618	BSC025N08LS5ATMA1	PG-TDSON-8
BSC026N04LS	SP001067014	BSC026N04LSATMA1	PG-TDSON-8
BSC026N08NS5	SP001154276	BSC026N08NS5ATMA1	PG-TDSON-8
BSC027N06LS5	SP001385616	BSC027N06LS5ATMA1	PG-TDSON-8
BSC028N06NS	SP000917416	BSC028N06NSATMA1	PG-TDSON-8
BSC028N06NS E8205	SP001370220	BSC028N06NSE8205ATMA1	PG-TDSON-8
BSC028N06NS E8215	SP001631022	BSC028N06NSE8215ATMA1	PG-TDSON-8
BSC028N06NST	SP001666498	BSC028N06NSTATMA1	PG-TDSON-8
BSC0302LS	SP004486450	BSC0302LSATMA1	PG-TDSON-8
BSC0303LS	SP004486474	BSC0303LSATMA1	PG-TDSON-8
BSC030N08NS5	SP001077098	BSC030N08NS5ATMA1	PG-TDSON-8
BSC030N08NS5	SP001285640	BSC030N08NS5ATMA2	PG-TDSON-8
BSC032N04LS	SP001067018	BSC032N04LSATMA1	PG-TDSON-8
BSC032NE2LS	SP000854378	BSC032NE2LSATMA1	PG-TDSON-8
BSC034N06NS	SP001067010	BSC034N06NSATMA1	PG-TDSON-8
BSC034N10LS5	SP001385620	BSC034N10LS5ATMA1	PG-TDSON-8
BSC035N10NS5	SP001229628	BSC035N10NS5ATMA1	PG-TDSON-8
BSC036NE7NS3 G	SP000907920	BSC036NE7NS3GATMA1	PG-TDSON-8
BSC037N08NS5	SP001294988	BSC037N08NS5ATMA1	PG-TDSON-8
BSC037N08NS5T	SP004475134	BSC037N08NS5TATMA1	PG-TDSON-8
BSC039N06NS	SP000985386	BSC039N06NSATMA1	PG-TDSON-8
BSC039N06NS E8205	SP001370218	BSC039N06NSE8205ATMA1	PG-TDSON-8
BSC0402NS	SP005399476	BSC0402NSATMA1	PG-TDSON-8
BSC0403NS	SP005399481	BSC0403NSATMA1	PG-TDSON-8
BSC040N08NS5	SP001132452	BSC040N08NS5ATMA1	PG-TDSON-8
BSC040N10NS5	SP001295030	BSC040N10NS5ATMA1	PG-TDSON-8
BSC040N10NS5 E8203	SP001315874	BSC040N10NS5E8203ATMA1	PG-TDSON-8
BSC050N10NS5	SP001861032	BSC050N10NS5ATMA1	PG-TDSON-8
BSC050NE2LS	SP000756340	BSC050NE2LSATMA1	PG-TDSON-8
BSC050NE2LS E8215	SP001636002	BSC050NE2LSE8215ATMA1	PG-TDSON-8
BSC052N03LS	SP000807602	BSC052N03LSATMA1	PG-TDSON-8
BSC052N08NS5	SP001232632	BSC052N08NS5ATMA1	PG-TDSON-8
BSC061N08NS5	SP001232634	BSC061N08NS5ATMA1	PG-TDSON-8
BSC065N06LS5	SP001385614	BSC065N06LS5ATMA1	PG-TDSON-8
BSC066N06NS	SP001067000	BSC066N06NSATMA1	PG-TDSON-8
BSC0702LS	SP001589462	BSC0702LSATMA1	PG-TDSON-8
BSC0703LS	SP001614022	BSC0703LSATMA1	PG-TDSON-8
BSC0704LS	SP001614068	BSC0704LSATMA1	PG-TDSON-8
BSC070N10LS5	SP001861044	BSC070N10LS5ATMA1	PG-TDSON-8
BSC070N10NS5	SP001241596	BSC070N10NS5ATMA1	PG-TDSON-8

BSC072N08NS5	SP001232628	BSC072N08NS5ATMA1	PG-TDSON-8
BSC0802LS	SP001614074	BSC0802LSATMA1	PG-TDSON-8
BSC0803LS	SP001614084	BSC0803LSATMA1	PG-TDSON-8
BSC0804LS	SP001861040	BSC0804LSATMA1	PG-TDSON-8
BSC0805LS	SP001861048	BSC0805LSATMA1	PG-TDSON-8
BSC080N12LS G	SP002256844	BSC080N12LSGATMA1	PG-TDSON-8
BSC0901NS	SP000800248	BSC0901NSATMA1	PG-TDSON-8
BSC0901NS E8246	SP005679868	BSC0901NSE8246ATMA1	PG-TDSON-8
BSC0901NSI	SP000819818	BSC0901NSIATMA1	PG-TDSON-8
BSC0901NSI E8215	SP001635998	BSC0901NSIE8215ATMA1	PG-TDSON-8
BSC0902NS	SP000800246	BSC0902NSATMA1	PG-TDSON-8
BSC0902NSI	SP000854380	BSC0902NSIATMA1	PG-TDSON-8
BSC0904NSI	SP000854384	BSC0904NSIATMA1	PG-TDSON-8
BSC0906NS	SP000893360	BSC0906NSATMA1	PG-TDSON-8
BSC093N15NS5	SP001279590	BSC093N15NS5ATMA1	PG-TDSON-8
BSC094N06LS5	SP001458086	BSC094N06LS5ATMA1	PG-TDSON-8
BSC096N10LS5	SP001861036	BSC096N10LS5ATMA1	PG-TDSON-8
BSC097N06NS	SP001067004	BSC097N06NSATMA1	PG-TDSON-8
BSC097N06NST	SP001666496	BSC097N06NSTATMA1	PG-TDSON-8
BSC098N10NS5	SP001241598	BSC098N10NS5ATMA1	PG-TDSON-8
BSC110N15NS5	SP001181418	BSC110N15NS5ATMA1	PG-TDSON-8
BSC117N08NS5	SP001295028	BSC117N08NS5ATMA1	PG-TDSON-8
BSC120N12LS G	SP004486460	BSC120N12LSGATMA1	PG-TDSON-8
BSC12DN20NS3 G	SP000781774	BSC12DN20NS3GATMA1	PG-TDSON-8
BSC13DN30NSFD	SP000854374	BSC13DN30NSFDATMA1	PG-TDSON-8
BSC146N10LS5	SP001385464	BSC146N10LS5ATMA1	PG-TDSON-8
BSC160N15NS5	SP001181422	BSC160N15NS5ATMA1	PG-TDSON-8
BSC16DN25NS3 G	SP000781782	BSC16DN25NS3GATMA1	PG-TDSON-8
BSC22DN20NS3 G	SP000781778	BSC22DN20NS3GATMA1	PG-TDSON-8
BSC320N20NS3 G	SP000676410	BSC320N20NS3GATMA1	PG-TDSON-8
BSC350N20NSFD	SP001108124	BSC350N20NSFDATMA1	PG-TDSON-8
BSC500N20NS3 G	SP000998292	BSC500N20NS3GATMA1	PG-TDSON-8
BSC600N25NS3 G	SP000676402	BSC600N25NS3GATMA1	PG-TDSON-8
BSC670N25NSFD	SP001107234	BSC670N25NSFDATMA1	PG-TDSON-8
BSC900N20NS3 G	SP000781780	BSC900N20NS3GATMA1	PG-TDSON-8
ICNAA1001	SP005557559	ICNAA1001ATMA1	PG-TDSON-8
ISC007N04NM6	SP005400466	ISC007N04NM6ATMA1	PG-TDSON-8
ISC011N03L5S	SP005408614	ISC011N03L5SATMA1	PG-TDSON-8
ISC019N03L5S	SP005408617	ISC019N03L5SATMA1	PG-TDSON-8
ISC026N03L5S	SP005408611	ISC026N03L5SATMA1	PG-TDSON-8
ISC037N03L5IS	SP005408608	ISC037N03L5ISATMA1	PG-TDSON-8
ISC045N03L5S	SP005408605	ISC045N03L5SATMA1	PG-TDSON-8
ISC0602NLS	SP005430396	ISC0602NLSATMA1	PG-TDSON-8
ISC0603NLS	SP005430400	ISC0603NLSATMA1	PG-TDSON-8

ISC0802NLS	SP005430372	ISC0802NLSATMA1	PG-TDSON-8
ISC0803NLS	SP005430489	ISC0803NLSATMA1	PG-TDSON-8
ISC0804NLS	SP005430380	ISC0804NLSATMA1	PG-TDSON-8
ISC0805NLS	SP005430376	ISC0805NLSATMA1	PG-TDSON-8
ISC0806NLS	SP005430384	ISC0806NLSATMA1	PG-TDSON-8