



D/969/5 April 2001

Provisional Information

Features

- **Autonomous Frame Sync Detection for SFR operation**
- **Full Packet Data Framing**
- **Low Power, 3.0 to 5.5V operation**
- **Powersave Option**

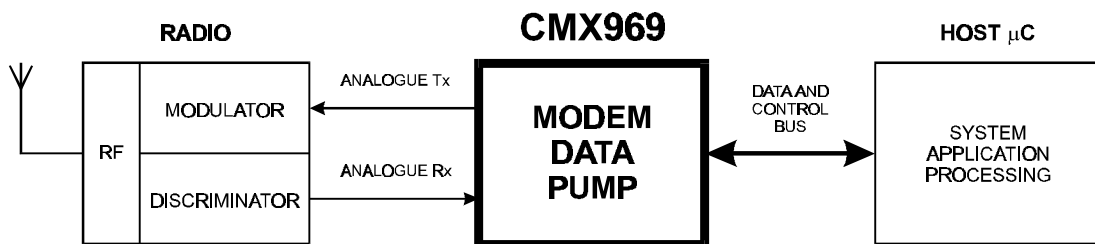
Applications

- **DataTAC*, Motient/ARDIS*, Dual Mode RD-LAP* and MDC 4800**
- **Two-Way Paging Equipment**
- **Mobile Data Systems**
- **Wireless Telemetry**
- **DataTAC* Terminals**

*Radio Data-Link Access Procedure (RD-LAP) is a data communications air interface protocol developed by Motorola Inc.

*Motient is a registered service mark of the Motient Company operating the Motient Network. (Formerly known as American Mobile operating the ARDIS Network).

*DataTAC is a registered trademark of Motorola Inc.



1.1 Brief Description

The CMX969 is a CMOS integrated circuit that contains all of the baseband signal processing and Medium Access Control (MAC) protocol functions required for a high performance DataTAC dual mode (RD-LAP 19200 bps and MDC 4800 bps) FSK Wireless Packet Data Modem suitable for use with the Motient/ARDIS network. It interfaces with the modem host processor and the radio modulation/demodulation circuits to deliver reliable two-way transfer of the application data over the wireless link.

The CMX969 assembles application data received from the host processor, adds forward error correction (FEC) and error detection (CRC) information and interleaves the result for burst-error protection. After adding symbol and frame synchronisation codewords and channel status symbols, it converts the packet into a filtered analogue baseband signal for modulating the radio transmitter.

In receive mode, the CMX969 performs the reverse function using the analogue baseband signals from the receiver frequency discriminator. After error correction and removal of the packet overhead, the recovered application data is supplied to the host processor. Any residual uncorrected errors in the data will be flagged. A readout of the received signal quality is also provided.

An optional Autonomous Frame Sync Detection function is provided for use in Motient/ARDIS systems employing Single Frequency Re-use operation.

The CMX969 uses signal filtering, data block formats and FEC/CRC algorithms compatible with the MDC and RD-LAP over-air standards. The device is programmable to operate from a wide choice of Xtal frequencies and is available in 24 pin DIP, SSOP and TSSOP packages.



CONTENTS

| <u>Section</u> | | <u>Page</u> |
|----------------|--|-------------|
| 1.0 | Features and Applications | 1 |
| 1.1 | Brief Description | 1 |
| 1.2 | Block Diagram | 3 |
| 1.3 | Signal List..... | 4 |
| 1.4 | External Components | 5 |
| 1.5 | General Description | 6 |
| 1.5.1 | Description of Blocks..... | 6 |
| 1.5.2 | Modem - μC Interaction..... | 8 |
| 1.5.3 | Binary to RD-LAP 4-Level Symbol Translation | 9 |
| 1.5.4 | Frame Structure | 10 |
| 1.5.4.1 | MDC Mode..... | 10 |
| 1.5.4.2 | RD-LAP Mode | 11 |
| 1.5.5 | The Programmer's View | 12 |
| 1.5.5.1 | Data Block Buffer..... | 12 |
| 1.5.5.2 | Control Register..... | 12 |
| 1.5.5.3 | Mode Register | 13 |
| 1.5.5.4 | Command Register | 15 |
| 1.5.5.5 | Status Register..... | 26 |
| 1.5.5.6 | Data Quality Register | 28 |
| 1.6 | Application Notes..... | 29 |
| 1.6.1 | Autonomous Frame Sync Detect Function..... | 29 |
| 1.6.2 | Rx Control Procedure..... | 30 |
| 1.7 | Performance Specification..... | 32 |
| 1.7.1 | Electrical Performance..... | 32 |
| 1.7.1.1 | Absolute Maximum Ratings | 32 |
| 1.7.1.2 | Operating Limits..... | 32 |
| 1.7.1.3 | Operating Characteristics | 33 |
| 1.7.2 | Packaging..... | 36 |

1.2 Block Diagram

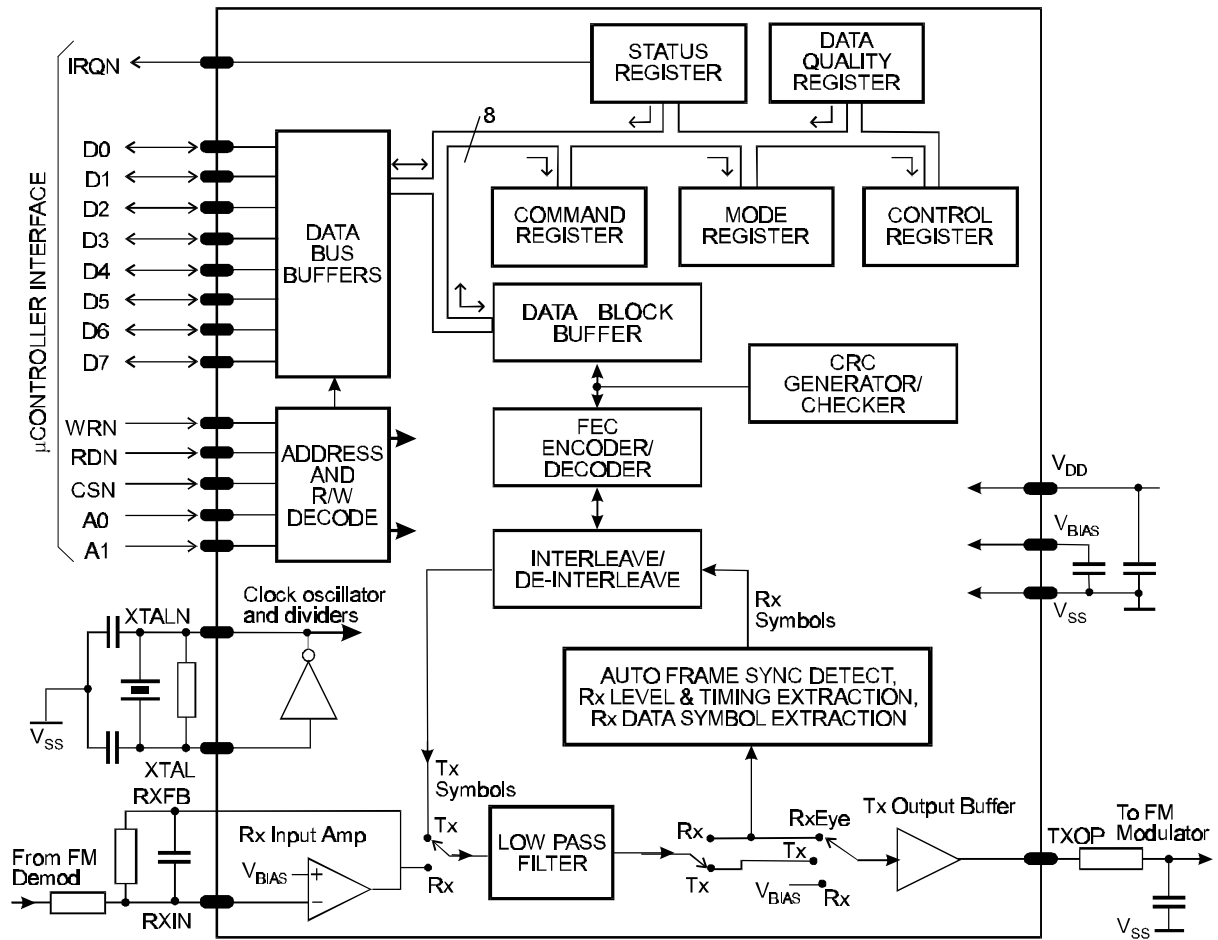


Figure 1 Block Diagram

1.3 Signal List

| Package P4/E2/D5 | Signal | | Description |
|---------------------|------------|-------|---|
| Pin No. | Name | Type | |
| 1 | IRQN | O/P | A 'wire-ORable' output for connection to the host μ C's Interrupt Request input. This output has a low impedance pull down to V_{SS} when active and is high impedance when inactive. An external pull up resistor of about 100k ohm to V_{DD} is required. |
| 2 | D7 | BI |) 8-bit bidirectional 3-state μ C interface data lines. |
| 3 | D6 | BI | |
| 4 | D5 | BI | |
| 5 | D4 | BI | |
| 6 | D3 | BI | |
| 7 | D2 | BI | |
| 8 | D1 | BI | |
| 9 | D0 | BI | |
| 10 | RDN | I/P | Read. An active low logic level input used to control the reading of data from the modem into the host μ C. |
| 11 | WRN | I/P | Write. An active low logic level input used to control the writing of data into the modem from the host μ C. |
| 12 | V_{SS} | Power | The negative supply rail (ground). |
| 13 | CSN | I/P | Chip Select. An active low logic level input to the modem, used to enable a data read or write operation. |
| 14 | A0 | I/P |) Two logic level modem register select inputs. |
| 15 | A1 | I/P | |
| 16 | XTALN | O/P | The output of the on-chip oscillator. |
| 17 | XTAL | I/P | The input to the on-chip oscillator, for external Xtal circuit or clock. |
| 18,19 | | NC | No connection should be made to these pins (reserved for possible future use) |
| 20 | TXOP | O/P | The Tx signal output from the modem. |
| 21 | V_{BIAS} | O/P | A bias line for the internal circuitry, held at $\frac{1}{2} V_{DD}$. This pin must be decoupled to V_{SS} by a capacitor mounted close to the device pins. |
| 22 | RXIN | I/P | The input to the Rx input amplifier. |

| Package P4/E2/D5 | Signal | | Description |
|------------------|-----------------|-------|---|
| Pin No. | Name | Type | |
| 23 | RXFB | O/P | The output of the Rx input amplifier . |
| 24 | V _{DD} | Power | The positive supply rail. Levels and voltages are dependent upon this supply. This pin should be decoupled to V _{SS} by a capacitor. |

Notes: I/P = Input O/P = Output BI = Bidirectional NC = No connection
Internal protection diodes are connected from each signal pin to V_{DD} and V_{SS}.

1.4 External Components

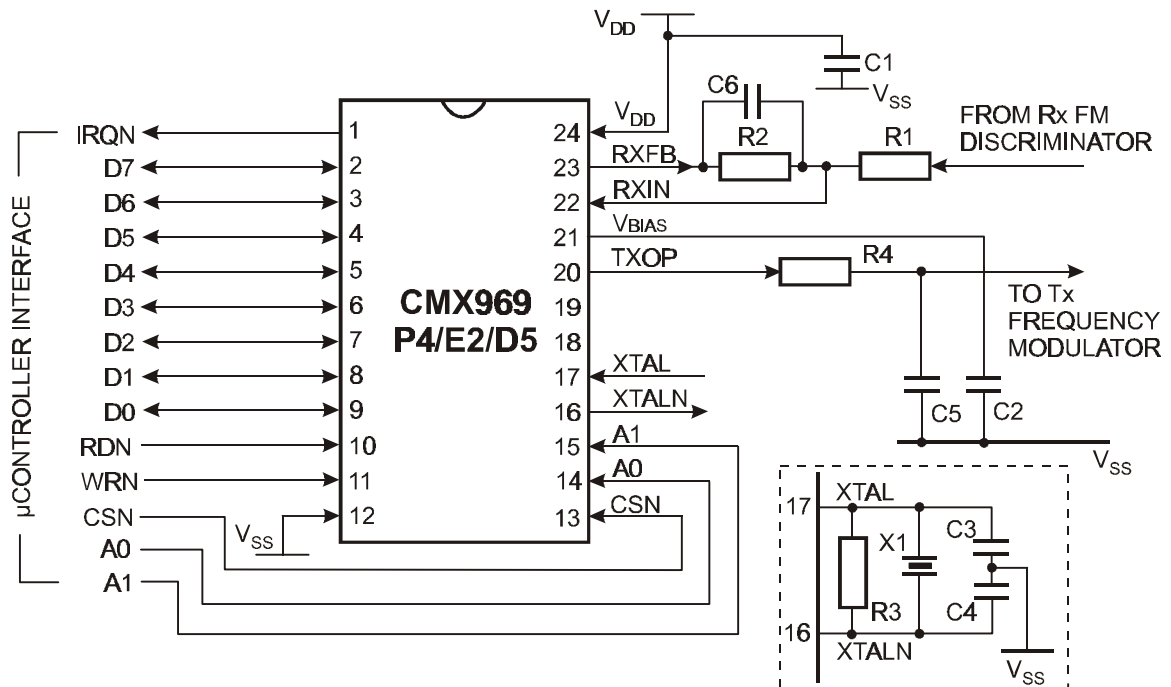


Figure 2 Recommended External Components

| | | | | | |
|----|--|----|-----------------------|----|-----------------------|
| R1 | See Section 1.5.1 | C1 | 0.1 μ F \pm 20% | C4 | \pm 20%, see Note 1 |
| R2 | 100k ohm \pm 5% | C2 | 0.1 μ F \pm 20% | C5 | 100pF \pm 5% |
| R3 | 1M ohm \pm 20% | C3 | \pm 20%, see Note 1 | C6 | 100pF \pm 5% |
| R4 | 100k ohm \pm 5% | | | | |
| X1 | 4.9152, 7.3728 or 9.8304 MHz \pm 100ppm. See Section 1.5.5.2 | | | | |

Note 1: The values used for C3 and C4 should be suitable for the frequency of the crystal X1. As a guide, values (including stray capacitances) of 33pF at 1MHz falling to 18pF at 10MHz will generally prove suitable.

1.5 General Description

1.5.1 Description of Blocks

Refer to Figure 1.

Data Bus Buffers

Eight bidirectional 3-state logic level buffers between the modem's internal registers and the host μ C's data bus lines.

Address and R/W Decode

This block controls the transfer of data bytes between the μ C and the modem's internal registers, according to the state of the Write and Read Enable inputs (WRN and RDN), the Chip Select input (CSN) and the Register Address inputs A0 and A1.

The Data Bus Buffers, Address and R/W Decode blocks provide a byte-wide parallel μ C interface, which can be memory-mapped, as shown in Figure 3.

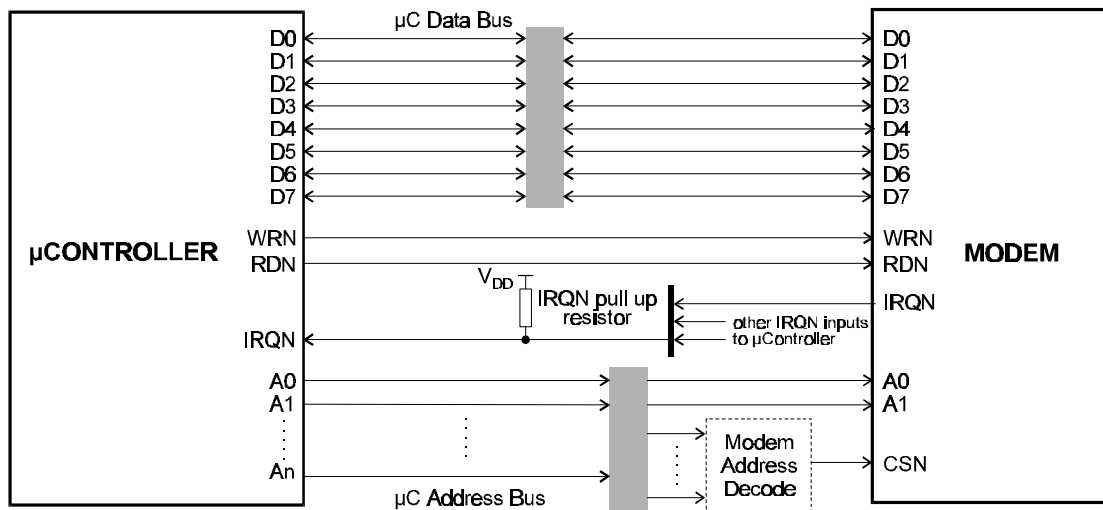


Figure 3 Typical Modem μ C Connections

Status and Data Quality Registers

Two 8-bit registers which the μ C can read to determine the status of the modem and the received data quality.

Command, Mode and Control Registers

The values written by the μ C to these 8-bit registers control the operation of the modem.

Data Buffer

A 12-byte buffer used to hold receive or transmit data to or from the μ C.

CRC Generator/Checker

A circuit which generates (in transmit mode) or checks (in receive mode) the Cyclic Redundancy Checksum bits, which are included in transmitted data blocks so that the receive modem can detect transmission errors.

FEC Encoder/Decoder

In transmit mode, this circuit adds Forward Error Correction information to the transmitted data. In RD-LAP mode it also converts the binary data to 4-level symbols. In receive mode, this block translates received symbols to binary data, using the FEC information to correct a large proportion of transmission errors.

Interleave/De-interleave Buffer

This circuit interleaves data symbols within a block before transmission and de-interleaves the received data so that the FEC system is best able to handle short noise bursts or fades.

Auto Frame Sync Detect, Rx Level & Timing Extraction, Rx Data Symbol Extraction

This block, which is only active in receive mode, is used to look for the Frame Synchronisation pattern which is transmitted to mark the start of every frame and to extract the received symbols from the received signal using extracted signal level and timing information.

Rx Input Amp

This amplifier allows the received signal input to the modem to be set to the optimum level by suitable selection of the external components R1 and R2. The dc level of the received signal should be adjusted so that the signal at the modem's RXFB pin is centred around V_{BIAS} ($\frac{1}{2} V_{DD}$). See section 1.7.1.3 for details of the optimum levels.

Low Pass Filter

This filter, which is used in both transmit and receive modes, is a linear-phase lowpass filter having a frequency response automatically switched to suit RD-LAP or MDC operation.

In transmit mode, the data symbols are passed through this filter to eliminate the high frequency components which would otherwise cause interference into adjacent radio channels.

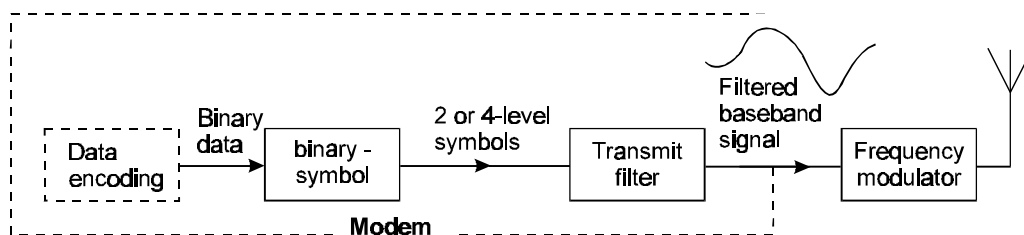


Figure 4 Generation of Filtered Tx Baseband Signal

In receive mode, the filter is used to reject HF noise and to equalise the received signal to a form suitable for extracting the received data.

Tx Output Buffer

This is a unity gain amplifier used in transmit mode to buffer the output of the Tx low pass filter. In receive mode, the input of this buffer is connected to V_{BIAS} unless the RXEYE bit of the Control Register is '1', when it is connected to the received signal. When changing from Rx to Tx mode the input to this buffer will be connected to V_{BIAS} for 8 symbol times in RD-LAP mode, 2 symbol times in MDC mode while the low pass filter settles.

Note: The RC low pass filter formed by the external components R4 and C5 between the TXOP pin and the input to the radio's frequency modulator forms an important part of the transmit out of band spurious signal filtering. These components may form part of any dc level-shifting and gain adjustment circuitry. C5 should be positioned to give maximum attenuation of high frequency noise into the modulator.

Clock Oscillator and Dividers

These circuits derive the transmit symbol rate (and the nominal receive symbol rate) by frequency division of a reference frequency which may be generated by the on-chip Xtal oscillator or applied from an external source.

Note: If the on-chip xtal oscillator is to be used, then the external components X1, C3, C4 and R3 are required. If an external clock source is to be used, then it should be connected to the XTAL input pin, the XTALN pin should be left unconnected, and X1, C3, C4 and R3 not fitted.

1.5.2 Modem - μ C Interaction

In general, data is transmitted over-air in the form of messages, or 'Frames', consisting of a 'Frame Preamble' followed by one or more formatted data blocks. The Frame Preamble includes a Frame Synchronisation pattern designed to allow the receiving modem to identify the start of a frame. The following data blocks are constructed from the 'raw' data using a combination of CRC (cyclic redundancy checksum) generation, Forward Error Correction coding and Interleaving. Details of the message formats handled by the modem are given in Section 1.5.4 and Figures 5a and 5b.

To reduce the processing load on the associated μ C, the CMX969 modem has been designed to perform as much as possible of the computationally intensive work involved in Frame formatting and de-formatting and - when in receive mode - in searching for and synchronising onto the Frame Preamble. In normal operation the modem will only require servicing by the μ C once per received or transmitted block.

Thus, to transmit a block, the controlling μ C has only to load the - unformatted - 'raw' binary data into the modem's Data Block Buffer then instruct the modem to format and transmit that data. The modem will then calculate and add the CRC bits as required, encode the result as 2 or 4-level symbols (with Forward Error Correction coding) and interleave the symbols before transmission.

In receive mode, the modem can be instructed to assemble a block's worth of received symbols, de-interleave the symbols, translate them to binary - using the FEC coding to correct as many errors as possible - and check the resulting CRC before placing the received binary data into the Data Block Buffer for the μ C to read.

The modem can also transmit and receive un-formatted data using the T4S, T24S, R4S, T8B, T40B and R8B tasks described in section 1.5.5.4 These are normally used for the transmission of Symbol and Frame Synchronisation sequences. They may also be used for the transmission and reception of special test patterns.

1.5.3 Binary to RD-LAP 4-Level Symbol Translation

Although the over-air signal, and hence the signals at the modem TXOP and RXIN pins, consists of 4-level symbols in RD-LAP mode, the raw data passing between the modem and the μ C is in binary form. Translation between binary data and the 4-level symbols is done in one of two ways, depending on the task being performed.

Direct: the simplest form, which converts between 2 binary bits and a single symbol, such as the 'S' Channel Status symbol.

| symbol | ms bit | ls bit |
|--------|--------|--------|
| +3 | 1 | 1 |
| +1 | 1 | 0 |
| -1 | 0 | 0 |
| -3 | 0 | 1 |

This is expanded so that an 8-bit byte translates to four symbols for the T4S, T24S and R4S tasks described in Section 1.5.5.2.

| | msb | | | | lsb | | | |
|----------|------------|---|---|---|-----------|---|---|---|
| Bits: | 7 | 6 | 5 | 4 | 3 | 2 | 1 | 0 |
| Symbols: | a | | b | | c | | d | |
| | sent first | | | | sent last | | | |

With FEC: This is more complicated, but essentially translates groups of 3 binary bits to pairs of 4-level symbols using a Forward Error Correcting coding scheme for the block oriented tasks THB, TIB, TLB, TSID, RHB, RILB and RSID described in Section 1.5.5.4.

1.5.4 Frame Structure

In both RD-LAP and MDC modes the CMX969 performs all of the block formatting and de-formatting, the binary data transferred between the modem and its μ C being that enclosed by the thick dashed rectangles near the top of Figures 5a and 5b.

1.5.4.1 MDC Mode

The CMX969 Frame Structure in MDC mode is illustrated in Figure 5a, and consists of a Frame Synchronisation pattern followed by one or more 'Header' blocks, one or more 'Intermediate' blocks and a 'Last' block. Channel Status bits are included at regular intervals. The first Frame of any transmission is preceded by a Bit Synchronisation pattern.

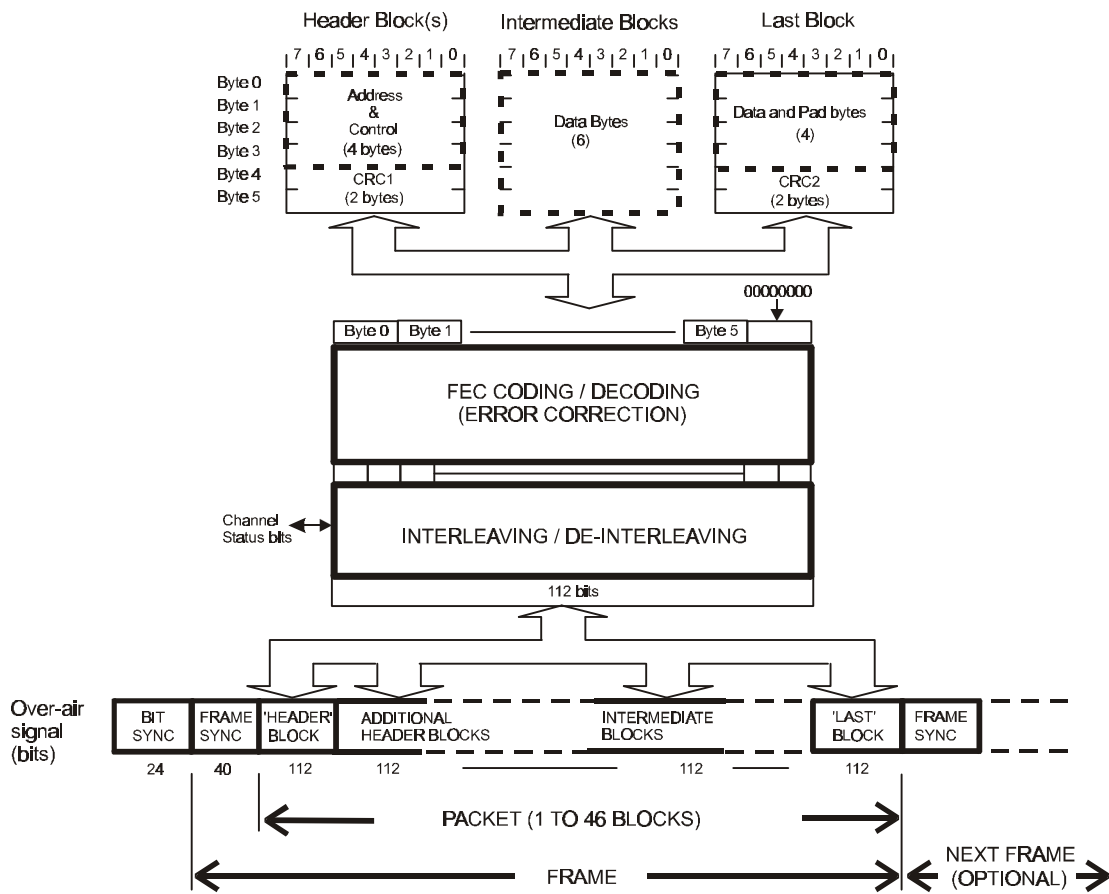


Figure 5a MDC Over Air Signal Format

The MDC bit synchronisation pattern consists of alternating 1's and 0's. The normal MDC Frame Synchronisation (SYNC1) pattern is 07092A446F Hex (msb transmitted first). SYNC2 is the 1's complement of SYNC1.

1.5.4.2 RD-LAP Mode

The CMX969 Frame Structure in RD-LAP mode is illustrated in Figure 5b, and consists of a Frame Preamble (comprising a 24-symbol Frame Synchronisation pattern and Station ID block) followed by one or more 'Header' blocks, one or more 'Intermediate' blocks and a 'Last' block. Channel Status (S) symbols are included at regular intervals. The first Frame of any transmission is preceded by a Symbol Synchronisation pattern.

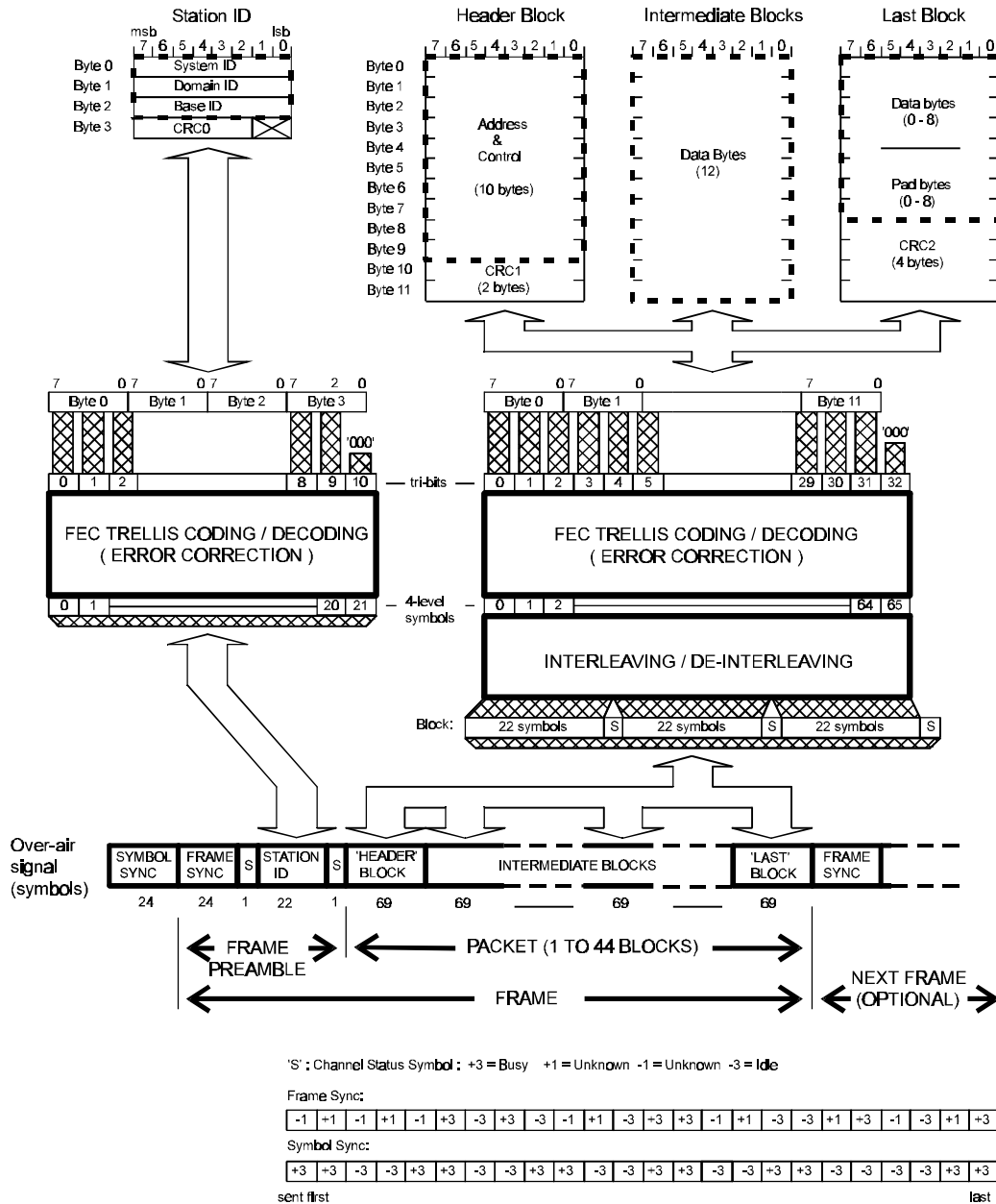


Figure 5b RD-LAP Over Air Signal Format

1.5.5 The Programmer's View

The modem appears to the programmer as 4 write only 8-bit registers shadowed by 3 read only registers, individual registers being selected by the A0 and A1 chip inputs: Note that there is a minimum allowable time between accesses of the modem's registers, see Section 1.7.1 for details.

| A1 | A0 | Write to Modem | Read from Modem |
|----|----|------------------|--------------------------|
| 0 | 0 | Data Buffer | Data Buffer |
| 0 | 1 | Command Register | Status Register |
| 1 | 0 | Control Register | Data Quality Register |
| 1 | 1 | Mode Register | Reserved for other uses. |

1.5.5.1 Data Block Buffer

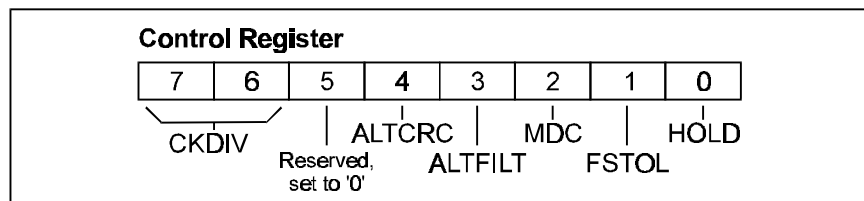
This is a 12-byte read/write buffer which is used to transfer data (as opposed to command, status, mode, data quality or control information) between the modem and the host μ C. It appears to the μ C as a single 8-bit register; the modem ensuring that sequential μ C reads or writes to the buffer are routed to the correct locations within the buffer.

The μ C should only access this buffer when the Status Register BFREE (Buffer Free) bit is '1'.

The buffer should only be written to while in Tx mode and read from while in Rx mode. Note that in receive mode the modem will function correctly even if the μ C does not read the received data from the Data Buffer.

1.5.5.2 Control Register

This 8-bit write-only register controls the modem's operating mode (RD-LAP or MDC), symbol rate and the response times of the receive clock extraction and signal level measurement circuits.



Control Register B7, B6: CKDIV - Clock Division Ratio

These bits control a frequency divider driven from the clock signal present at the XTALN pin, and hence determine the nominal symbol and bit rates. The following table shows the settings of B7 and B6 needed for 19200bps RD-LAP and 4800bps MDC4800 operation.

| B7 | B6 | Xtal Frequency | Division ratio: | |
|----|----|----------------|-------------------------------------|--------------------------------------|
| | | | Xtal frequency / RD-LAP Symbol Rate | Xtal frequency / MDC4800 Symbol Rate |
| 0 | 0 | 4.9152 MHz | 512 | 1024 |
| 0 | 1 | 7.3728 MHz | 768 | 1536 |
| 1 | 0 | 9.8304 MHz | 1024 | 2048 |
| 1 | 1 | See note | 1536 | 3072 |

Note: The setting B7 = 1 and B6 = 1 cannot be used with 19200bps RD-LAP / 4800bps MDC4800 as this would require a Xtal frequency above the oscillator operating range.

The CMX969 may also be used with a 9600bps RD-LAP system if the Xtal frequency is 4.9152 or 7.3728MHz and Control register bits 7-6 set to '1 0' or '1 1'

Control Register B5: Reserved for future use.

This bit should always be set to '0'.

Control Register B4: ALTCRC - Alternative CRC

This bit should always be set to '0' for standard RD-LAP and MDC systems. Setting it to '1' in RD-LAP mode selects an alternative CRC generation/checking algorithm.

Control Register B3: ALTFILT - Alternative Filtering

This bit should always be set to '0' for standard RD-LAP and MDC systems. Setting it to '1' in RD-LAP mode selects slightly different transmit and receive lowpass filter characteristics more suitable for some non-standard systems.

Control Register B2: MDC - MDC Mode

If this bit is '0' the CMX969 operates in RD-LAP mode, setting this bit to '1' selects MDC mode. Changing between RD-LAP and MDC modes will cancel any current task.

Control Register B1: FSTOL - Frame Sync Detect Tolerance

In RD-LAP mode this bit affects the number of errors tolerated by the Frame Sync detector when running SFS or SFP tasks or AFSD. Approximately 3 bit errors are allowed when FSTOL = 0, 7 when FSTOL = 1.

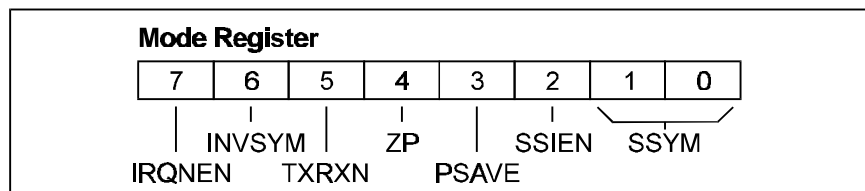
In MDC mode this bit has no effect and the Frame Sync detector will accept up to 5 incorrect bits in a received Frame Sync pattern when running the SFS task or AFSD.

Control Register B0: HOLD - Freeze Rx Level and Timing Corrections

Setting this bit to 1 disables the receive level and symbol timing error correction circuits.

1.5.5.3 Mode Register

The contents of this 8-bit write only register control the basic operating modes of the modem:



Mode Register B7: IRQEN - IRQN Output Enable

When this bit is set to '1', the IRQN chip output pin is pulled low (to V_{SS}) whenever the IRQ bit of the Status Register is a '1'.

Mode Register B6: INVSYM - Invert Symbols

This bit controls the polarity of the transmitted and received symbol voltages.

| B6 | Symbol | Signal at TXOP | Signal at RXFB |
|----|------------|------------------|------------------|
| 0 | '+3 or +1' | Above V_{BIAS} | Below V_{BIAS} |
| | '-3 or -1' | Below V_{BIAS} | Above V_{BIAS} |
| 1 | '+3 or +1' | Below V_{BIAS} | Above V_{BIAS} |
| | '-3 or -1' | Above V_{BIAS} | Below V_{BIAS} |

Mode Register B5: TXRXN - Tx/Rx Mode

Setting this bit to '1' puts the modem into Transmit mode, clearing it to '0' puts the modem into Receive mode. Note that changing between receive and transmit modes will cancel any current task.

Mode Register B4: ZP - Zero Power

Setting this bit to '1' removes power from all of the CMX969's circuitry, including the Xtal oscillator, the Vbias supply and the Tx o/p buffer. The μC interface will continue to operate except for the Command Register which will not recognise or execute commands when ZP is '1' as it relies on a clock source for correct operation.

To obtain the lowest power consumption in Zero Power mode, the Mode Register TXRXN bit (B5) should be set to 0 when the ZP bit (B4) is set to 1.

Mode Register B3: PSAVE - Powersave

When this bit is a '1', the modem will be in a 'powersave' mode in which the internal filters, the Rx Symbol and Clock extraction circuits and the Tx o/p buffer will be disabled, and the TxOp pin will be connected to Vbias through a high value resistance. The Xtal Clock oscillator, Rx i/p amplifier and the μC interface logic will continue to operate.

Setting the PSAVE bit to '0' when the ZP bit is '0' restores power to all of the chip circuitry. Note that the internal filters - and hence the TxOp pin in transmit mode - will take about 20 symbol-times to settle after the PSAVE bit is taken from '1' to '0'.

Mode Register B2: SSIEN - 'S' Symbol IRQ Enable

In receive mode, setting this bit to '1' causes the IRQ bit of the status register to be set to '1' whenever a new channel status 'S' symbol has been received. (The SRDY bit of the Status Register will also be set to '1' at the same time, and the SVAL bits updated to reflect the received 'S' symbol.)

In transmit mode, setting this bit to '1' causes the IRQ bit of the Status Register to be set to '1' whenever a 'S' symbol or channel status bit has been transmitted. (The SRDY bit of the Status Register will also be set to '1' at the same time.)

In MDC mode no interrupt is generated for the unused '94th bit' in each block.

Mode Register B1, 0: SSYM - 'S' Symbol To Be Transmitted

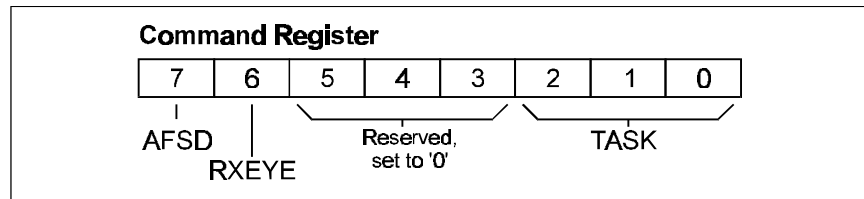
In transmit mode these two bits define the next 'S' symbol or channel status bit to be transmitted. These bits have no effect in receive mode.

| B1 | B0 | RD-LAP | MDC |
|----|----|--------|------|
| 1 | 1 | '+3' | '+1' |
| 1 | 0 | '+1' | '+1' |
| 0 | 0 | '-1' | '-1' |
| 0 | 1 | '-3' | '-1' |

1.5.5.4 Command Register

Writing to this register tells the modem to perform a specific action or actions, depending on the setting of the AFSD and TASK bits, and controls the RxEye function.

Note that the Command Register uses internal clocks derived from the XTAL input to decode and carry out any task written to it, so it is advisable to postpone writing to the Command Register until about 20 msec after power is applied to the CMX969 or the Mode Register ZP bit is changed from '1' to '0', to allow time for the Xtal oscillator to start up.



When it has no action to perform, the modem will be in an 'idle' state. If the modem is in transmit mode the input to the Tx filter will be connected to V_{BIAS} . In receive mode the modem will continue to measure the received data quality and extract symbols from the received signal, supplying them to the de-interleave buffer, but will otherwise ignore the received data.

Command Register B7: AFSD - Autonomous Frame Sync Detect

Setting this bit to '1' in receive mode enables the Autonomous Frame Sync Detect function. It has no effect in transmit mode.

Command Register B6: RXEYE - Show Rx Eye

This bit should normally be set to '0'.

Setting it to '1' when the modem is in receive mode connects the input of the Tx o/p buffer to the Rx filter output (see Figure 1). This allows the filtered and equalised receive signal monitored with an oscilloscope (at the TXOP pin itself), to assess the quality of the complete radio channel including the Tx and Rx modem filters, the Tx modulator and the Rx IF filters and FM demodulator. In transmit mode this bit has no effect.

In RD-LAP mode the resulting eye diagram (for reasonably random data) should ideally be as shown in Figure 6a, with 4 'crisp' and equally spaced crossing points.

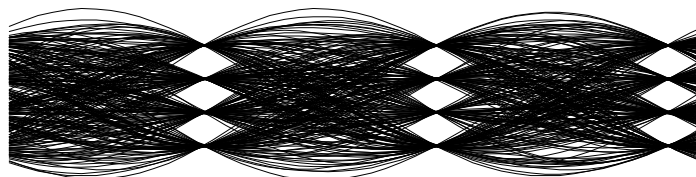


Figure 6a Ideal 'RXEYE' Signal: RD-LAP Mode

In MDC mode the eye diagram should be as Figure 6b

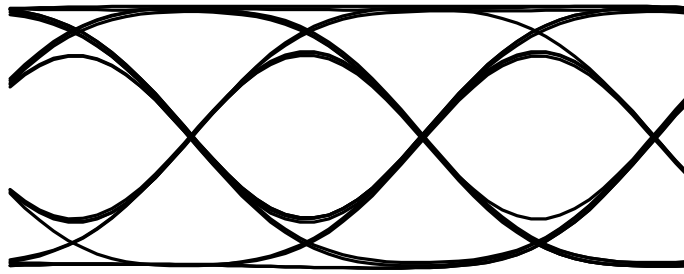


Figure 6b Ideal 'RXEYE' Signal: MDC Mode

Command Register B5-3

These bits are reserved for future use and should always be set to '0'.

Command Register B2, B1, B0: TASK

Operations such as transmitting or receiving a data block are treated by the modem as 'tasks' and are initiated when the μC writes a byte to the Command Register with the TASK bits set to anything other than the 'NULL' code.

The μC should not write a task (other than NULL or RESET) to the Command Register or write to or read from the Data Buffer when the BFREE (Buffer Free) bit of the Status Register is '0'.

Different tasks apply in RD-LAP and MDC receive and transmit modes.

CMX969 Modem Tasks, Transmit Mode:

| B2 | B1 | B0 | RD-LAP | | MDC | |
|----|----|----|--------|-----------------------------|-------|-----------------------------|
| 0 | 0 | 0 | NULL | | NULL | |
| 0 | 0 | 1 | T24S | Transmit 24 symbols | T40B | Transmit 40 bits |
| 0 | 1 | 0 | THB | Transmit Header Block | THB | Transmit Header Block |
| 0 | 1 | 1 | TIB | Transmit Intermediate Block | TIB | Transmit Intermediate Block |
| 1 | 0 | 0 | TLB | Transmit Last Block | TLB | Transmit Last Block |
| 1 | 0 | 1 | T4S | Transmit 4 symbols | T8B | Transmit 8 bits |
| 1 | 1 | 0 | TSID | Transmit Station ID | - | Unused |
| 1 | 1 | 1 | RESET | Cancel any current action | RESET | Cancel any current action |

When the modem is in transmit mode, all tasks other than NULL or RESET instruct the modem to transmit data from the Data Buffer, formatting it as required. The μC should therefore wait until the BFREE (Buffer Free) bit of the Status Register is '1', before writing the data to the Data Block Buffer, then it should write the desired task to the Command Register. If more than 1 byte needs to be written to the Data Block Buffer, byte number 0 of the block should be written first.

Once the byte containing the desired task has been written to the Command Register, the modem will:

Set the BFREE (Buffer Free) bit of the Status Register to '0'.

Take the data from the Data Block Buffer as quickly as it can - transferring it to the Interleave Buffer for eventual transmission. This operation will start immediately if the modem is 'idle' (i.e. not transmitting data from a previous task), otherwise it will be delayed until there is sufficient room in the Interleave Buffer.

Once all of the data has been transferred from the Data Block Buffer the modem will set the BFREE and IRQ bits of the Status Register to '1', (causing the chip IRQN output to go low if the IRQNEN bit of the Mode Register has been set to '1') to tell the μ C that it may write new data and the next task to the modem.

This lets the μ C write a task and the associated data to the modem while the modem is still transmitting the data from the previous task.

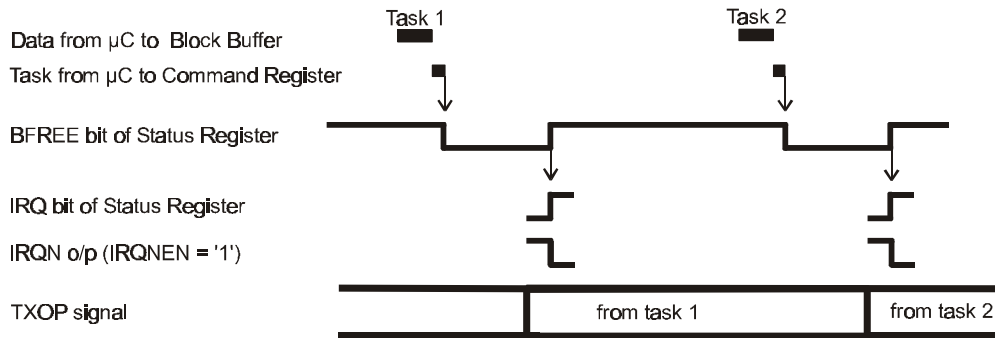


Figure 7 Transmit Task Overlapping

T24S: Transmit 24 Symbols (RD-LAP only)

This task, which is intended to facilitate the transmission of Symbol and Frame Sync patterns as well as special test sequences, takes 6 bytes of data from the Data Block Buffer and transmits them as 24 4-level symbols without any CRC, FEC, interleaving or adding any 'S' symbols.

Byte 0 of the Data Block Buffer is sent first, byte 5 last.

Once the modem has read the data bytes from the Data Block Buffer, the BFREE and IRQ bits of the Status Register will be set to '1', indicating to the μ C that it may write the data and command byte for the next task to the modem.

The following tables show what data has to be written to the Data Block Buffer to transmit the CMX969 Symbol and Frame Sync sequences:

| 'Symbol Sync' Symbols | | | | Values written to Data Block Buffer | | |
|--------------------------|----|----|----|-------------------------------------|----------|-----|
| | | | | | Binary | Hex |
| +3 | +3 | -3 | -3 | Byte 0: | 11110101 | F5 |
| +3 | +3 | -3 | -3 | Byte 1: | 11110101 | F5 |
| +3 | +3 | -3 | -3 | Byte 2: | 11110101 | F5 |
| +3 | +3 | -3 | -3 | Byte 3: | 11110101 | F5 |
| +3 | +3 | -3 | -3 | Byte 4: | 11110101 | F5 |
| -3 | -3 | +3 | +3 | Byte 5 : | 01011111 | 5F |

| 'Frame Sync' Symbols | | | | Values written to Data Block Buffer | | |
|-------------------------|----|----|----|-------------------------------------|----------|-----|
| | | | | | Binary | Hex |
| -1 | +1 | -1 | +1 | Byte 0: | 00100010 | 22 |
| -1 | +3 | -3 | +3 | Byte 1: | 00110111 | 37 |
| -3 | -1 | +1 | -3 | Byte 2: | 01001001 | 49 |
| +3 | +3 | -1 | +1 | Byte 3: | 11110010 | F2 |
| -3 | -3 | +1 | +3 | Byte 4: | 01011011 | 5B |
| -1 | -3 | +1 | +3 | Byte 5: | 00011011 | 1B |

NULL:

This 'task' has no effect in transmit mode.

T40B: Transmit 40 Bits (MDC only)

This task is similar to the RD-LAP mode T24S task, but transmits 40 bits taken from the first 5 bytes in the Data Block Buffer. Data block buffer byte 0 is transmitted first, byte 4 last, within each byte the msb is transmitted first, lsb last.

THB: Transmit Header Block (RD-LAP and MDC)

In RD-LAP mode this task takes 10 bytes of data from the Data Block Buffer, calculates and appends the 2-byte CRC1 checksum, translates the result to 4-level symbols (with FEC), interleaves the symbols and transmits the result as a formatted 'Header' Block , inserting 'S' symbols at 22-symbol intervals.

In MDC mode this task takes 4 bytes of data from the Data Block Buffer, calculates and appends the 2-byte checksum, adds FEC bits, interleaves the result, inserts channel status bits and transmits the result as a formatted 'Header' Block..

Once the modem has read the data bytes from the Data Block Buffer, the BFREE and IRQ bits of the Status Register will be set to '1'.

TIB: Transmit Intermediate Block (RD-LAP and MDC)

In RD-LAP mode this task takes 12 bytes of data from the Data Block Buffer, updates the 4-byte CRC2 checksum for inclusion in the 'Last' block, translates the 12 data bytes to 4-level symbols (with FEC), interleaves the symbols and transmits the result as a formatted 'Intermediate' Block , inserting 'S' symbols at 22-symbol intervals.

In MDC mode this task takes 6 bytes of data from the Data Block Buffer, updates the 2-byte CRC checksum for inclusion in the 'Last' block, adds FEC bits, interleaves the result, inserts channel status bits and transmits the result as a formatted 'Intermediate' Block.

Once the modem has read the data bytes from the Data Block Buffer, the BFREE and IRQ bits of the Status Register will be set to '1'.

TLB: Transmit Last Block (RD-LAP and MDC)

In RD-LAP mode this task takes 8 bytes of data from the Data Block Buffer, updates and appends the 4-byte CRC2 checksum, translates the resulting 12 bytes to 4-level symbols (with FEC), interleaves the symbols and transmits the result as a formatted 'Last' Block , inserting 'S' symbols at 22-symbol intervals.

In MDC mode this task takes 4 bytes of data from the Data Block Buffer, updates and appends the 2-byte checksum, adds FEC bits, interleaves the result, inserts channel status bits and transmits the result as a formatted 'Last' Block.

Once the modem has read the data bytes from the Data Block Buffer, the BFREE and IRQ bits of the Status Register will be set to '1'.

T4S: Transmit 4 Symbols (RD-LAP only)

This task is similar to T24S but takes only one byte from the Data Block Buffer, transmitting it as four 4-level symbols most significant bit first.

T8B: Transmit 8 Bits (MDC only)

This task is similar to T40B but takes only one byte from the Data Block Buffer, transmitting it as 8 bits.

TSID: Transmit Station ID (RD-LAP only)

This task takes 3 ID bytes from the Data Block Buffer, calculates and appends the 6-bit CRC0 checksum, translates the result to 4-level symbols (with FEC) and transmits the resulting 22 symbols preceded and followed by 'S' symbols.

Once the modem has read the data bytes from the Data Block Buffer, the BFREE and IRQ bits of the Status Register will be set to '1'.

RESET: Stop any current action

This 'task' takes effect immediately, and terminates any current task the modem may be performing and sets the BFREE bit of the Status Register to '1', without setting the IRQ bit. It should be used (after a delay to allow the Xtal oscillator to start up) when V_{DD} is applied or the ZP bit of the Mode Register changed from '1' to '0' to set the modem into a known state.

Note that due to delays in the transmit low pass filter, it will take several symbol times for any change to appear at the TXOP pin.

CMX969 Modem Tasks, Receive Mode:

| B2 | B1 | B0 | RD-LAP | | MDC | |
|----|----|----|--------|---------------------------------|-------|---------------------------------|
| 0 | 0 | 0 | NULL | | NULL | |
| 0 | 0 | 1 | SFP | Search for Frame Preamble | - | Unused |
| 0 | 1 | 0 | RHB | Read Header Block | RHB | Read Header Block |
| 0 | 1 | 1 | RILB | Read Intermediate or Last Block | RILB | Read Intermediate or Last Block |
| 1 | 0 | 0 | SFS | Search for Frame Sync | SFS | Search for Frame Sync |
| 1 | 0 | 1 | R4S | Read 4 symbols | R8B | Read 8 bits |
| 1 | 1 | 0 | RSID | Read Station ID | - | Unused |
| 1 | 1 | 1 | RESET | Cancel any current action | RESET | Cancel any current action |

When the modem is in receive mode, the μ C should wait until the BFREE bit of the Status Register is '1', then write the desired task to the Command Register.

Once the byte containing the desired task has been written to the Command Register, the modem will:

Set the BFREE bit of the Status Register to '0'.

Wait until enough received symbols are in the De-interleave Buffer.

Decode them as needed, and transfer the resulting binary data to the Data Block Buffer

Then the modem will set the BFREE and IRQ bits of the Status Register to '1', (causing the IRQN output to go low if the IRQNEN bit of the Mode Register has been set to '1') to tell the μ C that it may read from the Data Block Buffer and write the next task to the modem. If more than 1 byte is contained in the buffer, byte number 0 of the data will be read out first.

In this way the μ C can read data and write a new task to the modem while the received symbols needed for this new task are being received and stored in the De-interleave Buffer.

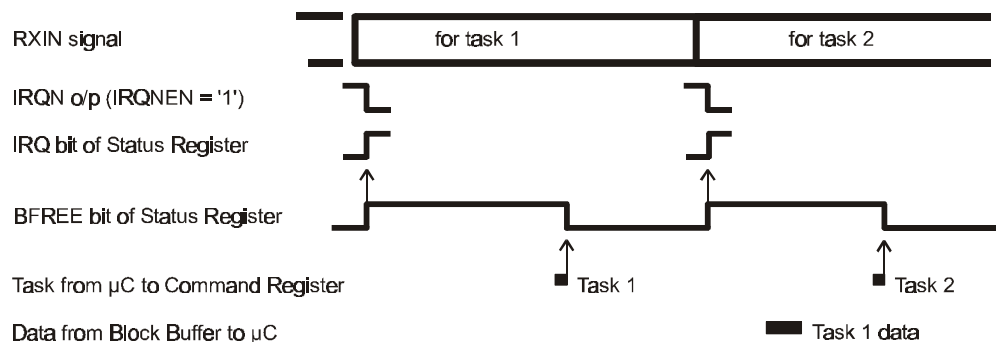


Figure 8 Receive Task Overlapping

Detailed timings for the various tasks are given in Figures 10 and 11.

NULL:

This 'task' allows the AFSD or RXEYE bits to be changed without any other effect.

SFP: Search for Frame Preamble (RD-LAP only)

This task causes the modem to search the received signal for a valid Frame Preamble, consisting of a 24-symbol Frame Sync sequence followed by Station ID data which has a correct CRC0 checksum.

The task continues until a valid Frame Preamble has been found.

The search consists of four stages:

First of all the modem will attempt to match the incoming symbols against the Frame Synchronisation pattern

Once a match has been found, the modem will read in the following 'S' symbol, place it in the SVAL bits of the Status Register then set the SRDY bit to '1'. (The IRQ bit of the Status Register will also be set to '1' at this time if the SSIEN bit of the Mode Register is '1').

The modem will then read the next 22 symbols as station ID data. They will be decoded and the CRC0 checked. If this is incorrect, the modem will resume the search, looking for a fresh Frame Sync pattern.

If the received CRC0 is correct, the following 'S' symbol will be read into the SVAL bits of the Status Register and the SRDY, BFREE and IRQ bits set to '1', the CRCERR bit cleared to '0', and the three decoded Station ID bytes placed into the Data Block Buffer.

On detecting that the BFREE bit of the Status Register has gone to '1', the μ C should read the 3 Station ID bytes from the Data Block Buffer then write the next task to the modem's Command Register.

RHB: Read Header Block (RD-LAP and MDC)

In RD-LAP mode this task causes the modem to read the next 69 symbols as a 'Header' Block. It will strip out the 'S' symbols then de-interleave and decode the remaining 66 symbols, placing the resulting 10 data bytes and the 2 received CRC1 bytes into the Data Block Buffer, and setting the BFREE and IRQ bits of the Status Register to '1' when the task is complete to indicate that the μ C may read the data from the Data Block Buffer and write the next task to the modem's Command Register.

In MDC mode this task causes the modem to read the next 112 bits as a 'Header' Block. It will strip out the channel status bits then de-interleave and decode the remaining bits, placing the resulting 4 data bytes and the 2 received CRC bytes into the Data Block Buffer, and setting the BFREE and IRQ bits of the Status Register to '1' when the task is complete to indicate that the μ C may read the data from the Data Block Buffer and write the next task to the modem's Command Register.

In both cases the CRCERR bit of the Status Register will be set to '1' or '0' depending on the validity of the received CRC checksum bytes.

As each of the 'S' symbols or channel status bits of a block is received, the SVAL bits of the Status Register will be updated and the SRDY bit set to '1'. (If the SSIEN bit of the Mode Register is '1', then the Status Register IRQ bit will also be set to '1'.) Note that when the third 'S' symbol is received in RD-LAP mode the SRDY bit will be set to '1' coincidentally with the BFREE bit also being set to '1'.

RILB: Read 'Intermediate' or 'Last' Block (RD-LAP and MDC)

This task causes the modem to read the next 69 symbols (RD-LAP) or 112 bits (MDC) as an 'Intermediate' or 'Last' block (the μ C can tell from the 'Header' block how many blocks are in the frame, and hence when to expect the 'Last' block).

In each case, it will strip out the 'S' symbols or channel status bits, de-interleave and decode the remaining symbols and place the resulting 12 (RD-LAP) or 6 (MDC) bytes into the Data Block Buffer, setting the BFREE and IRQ bits of the Status Register to '1' when the task is complete.

If an 'Intermediate' block is received then the μ C should read out all 12 or 6 bytes from the Data Block Buffer and ignore the CRCERR bit of the Status Register, for a 'Last' block the μ C need only read the first 8 or 4 bytes from the Data Block Buffer, and the CRCERR bit in the Status Register will reflect the validity of the received checksum.

As each of the 'S' symbols or channel status bits of the block is received, the SVAL bits of the Status Register will be updated and the SRDY bit set to '1'. (If the SSIEN bit of the Mode Register is '1', then the Status Register IRQ bit will also be set to '1'.) Note that when the third 'S' symbol is received in RD-LAP mode the SRDY bit will be set to '1' coincidentally with the BFREE bit also being set to '1'.

SFS: Search for Frame Sync (RD-LAP and MDC)

This task causes the modem to search the received signal for a 24-symbol (RD-LAP) or 40-bit (MDC) sequence which matches the required Frame Synchronisation pattern(s) allowing 5 bits in error for MDC mode. In RD-LAP mode the allowable errors are approximately 3 bits when FSTOL = 0, 7 bits when FSTOL = 1.

In RD-LAP mode when a match is found the modem will read in the following 'S' symbol, then set the BFREE, IRQ and SRDY bits of the Status Register to '1' and update the SVAL bits. The μ C may then write the next task to the Command Register.

In MDC mode when a match is found the modem will set the BFREE, IRQ bits of the Status Register to '1' and set the FSTYPE bit according to the type of Frame Synchronisation pattern received. The μ C may then write the next task to the Command Register.

R4S: Read 4 Symbols (RD-LAP only)

This task causes the modem to read the next 4 symbols and translate them directly (without de-interleaving or FEC) to an 8-bit byte which is placed into the Data Block Buffer. The BFREE and IRQ bits of the Status Register will then be set to '1' to indicate that the μ C may read the data byte from the Data Block Buffer and write the next task to the Command Register.

This task is intended for special tests and channel monitoring - perhaps preceded by SFS task.

Note that although it is possible to construct message formats which do not rely on the block formatting of the THB, TIB and TLB tasks by using T4S or T24S tasks to transmit and R4S to receive the user's data, anyone attempting this should be aware that the receive level and timing measurement circuits need to see a reasonably 'random' distribution of all four possible symbols in the received signal to operate correctly, and should therefore 'scramble' the binary data before transmission.

R8B: Read 8 Bits (MDC only)

This task reads the next 8 received bits and places the resulting 8-bit byte directly (without any attempt to de-interleave, remove channel status bits or apply FEC) into the Data Block Buffer. The BFREE and IRQ bits of the Status Register will then be set to '1' to indicate that the μ C may read the data byte from the Data Block Buffer and write the next task to the Command Register.

RSID: Read Station ID (RD-LAP only)

This task causes the modem to read in and decode the following 23 symbols as Station ID data followed by an 'S' symbol. It is similar to the last two parts of a SFP task except that it will not re-start if the received CRC0 is incorrect. It would normally follow a SFS task.

The 3 decoded bytes will be placed into the Data Block Buffer, and the CRCERR bit of the Status Register set to '1' if the received CRC0 was incorrect, otherwise it will be cleared to '0'. The SVAL bits of the Status Register will be updated and the BFREE, SRDY and IRQ bits set to '1' to indicate that the μ C may read the 3 received bytes from the Data Block Buffer and write the next task to the modem's Command Register.

RESET: Stop any current action.

This 'task' is similar to the Transmit mode RESET task. It takes effect immediately, and terminates any current task the modem may be performing and sets the BFREE bit of the Status Register to '1', without setting the IRQ bit. Writing a RESET task to the CMX969 also resets an internal received signal buffer memory used by AFSD function, so that if a RESET task is written while the CMX969 is receiving a Frame Sync pattern then that pattern will not be recognised by the AFSD function.

Task Timings

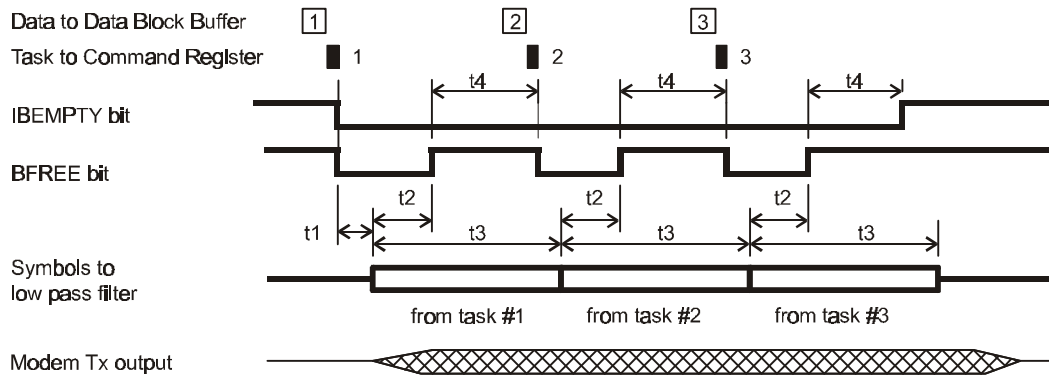


Figure 9 Transmit Task Timing Diagram

| RD-LAP Transmit Task Timings | | Task | Time (symbol times) |
|------------------------------|--|-------------|---------------------|
| t1 | Modem in idle state. Time from writing first task to application of first transmit bit to Tx filter | Any | 1 to 2 |
| t2 | Time from application of first symbol of the task to the Tx filter until BFREE goes to a logic '1' (high). | T24S | 5 |
| | | TSID | 6 |
| | | THB/TIB/TLB | 16 |
| | | T4S | 0 |
| t3 | Time to transmit all symbols of the task | T24S/TSID | 24 |
| | | THB/TIB/TLB | 69 |
| | | T4S | 4 |
| t4 | Max time allowed from BFREE going to a logic '1' (high) for next task (and data) to be written to modem | T24S | 18 |
| | | TSID | 17 |
| | | THB/TIB/TLB | 52 |
| | | T4S | 3 |

| MDC Transmit Task Timings | | Task | Time (bit times) |
|---------------------------|--|-------------|------------------|
| t1 | Modem in idle state. Time from writing first task to application of first transmit bit to Tx filter | Any | 0 to 1 |
| t2 | Time from application of first symbol of the task to the Tx filter until BFREE goes to a logic '1' (high). | T40B | 0.5 |
| | | THB/TIB/TLB | 0.5 |
| | | T8B | 0.5 |
| t3 | Time to transmit all symbols of the task | T40B | 40 |
| | | THB/TIB/TLB | 112 |
| | | T8B | 8 |
| t4 | Max time allowed from BFREE going to a logic '1' (high) for next task (and data) to be written to modem | T40B | 38 |
| | | THB/TIB/TLB | 110 |
| | | T8B | 6 |

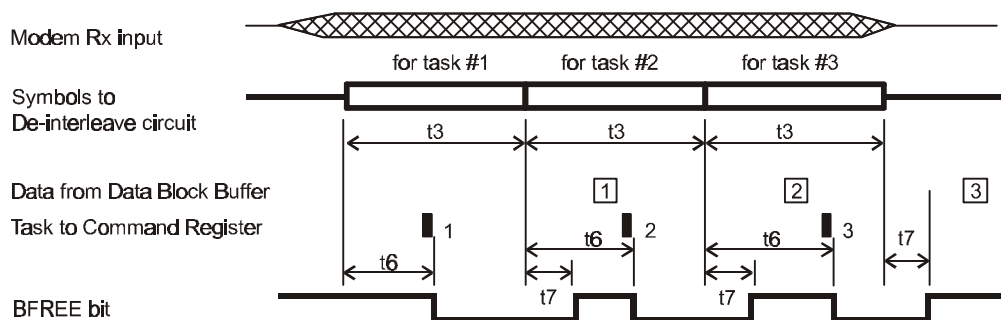


Figure 10 Receive Task Timing Diagram

| RD-LAP Receive Task Timings | | Task | Time (symbol times) |
|-----------------------------|---|----------|---------------------|
| t3 | Time to receive all symbols of block or Frame Sync pattern | SFS/AFSD | 25 |
| | | SFP | 48 |
| | | RSID | 23 |
| | | RHB/RILB | 69 |
| | | R4S | 4 |
| t6 | Maximum time between first symbol of the Block or Frame Sync pattern entering the de-interleave circuit and the task or AFSD being written to the modem's Command Register. | SFS | 21 |
| | | SFP | 21 |
| | | RSID | 15 |
| | | RHB/RILB | 51 |
| | | R4S | 3 |
| t7 | Maximum time from the last bit of the block or Frame Sync pattern entering the de-interleave circuit to BFREE or AFSDET going to logic '1' (high) | Any | 1 |
| | | | |
| | | | |

| MDC Receive Task Timings | | Task | Time (symbol times) |
|--------------------------|--|----------|---------------------|
| t3 | Time to receive all symbols of block or Frame Sync pattern | SFS/AFSD | 40 |
| | | RHB/RILB | 112 |
| | | R8B | 8 |
| t6 | Maximum time between first symbol of the Block or Frame Sync pattern entering the de-interleave circuit and the task or AFSD being written to the modem's Command Register | SFS/AFSD | 38 |
| | | RHB/RILB | 13 |
| | | R8B | 7 |
| t7 | Maximum time from the last bit of the block or Frame Sync pattern entering the de-Interleave circuit to BFREE or AFSDET Going to a logic '1' (high). | SFS/AFSD | 2 |
| | | RHB/RILB | 3 |
| | | R8B | 2 |

Lowpass Filter Delay

The previous task timing figures are based on the signal at the input to the low pass filter (in transmit mode) or the input to the de-interleave buffer (in receive mode). In RD-LAP mode there is an additional delay of about 8 symbol times through to the RRC filter in both transmit and receive modes, as illustrated below: The corresponding delay in MDC mode is about 3 symbol times.

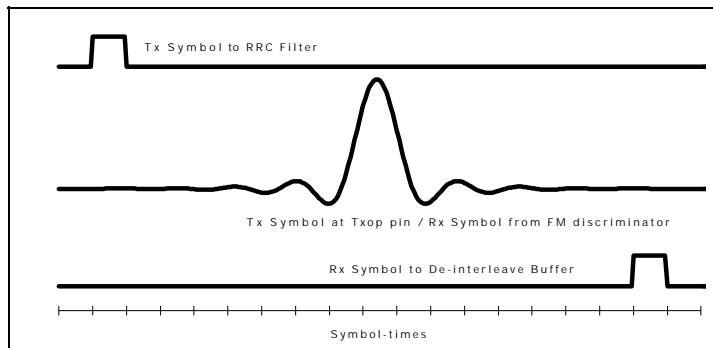
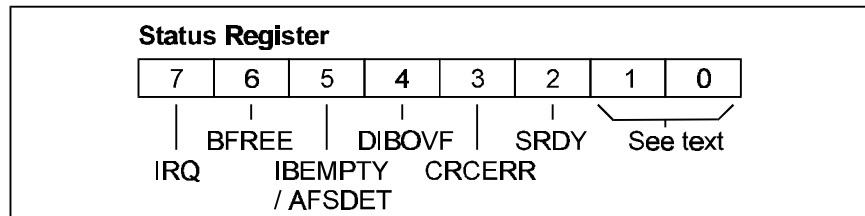


Figure 11 RRC Low Pass Filter Delay (RD-LAP mode)

1.5.5.5 Status Register

This register may be read by the μ C to determine the current state of the modem.



In transmit mode this bit is also set to '1' by a RESET task or by a change of the Mode Register TXRXN, ZP or PSAVE bits, but in these cases the IRQ bit will not be set.

In transmit mode this bit is cleared to '0' within one symbol time after a task other than NULL or RESET is written to the Command Register.

Note: When the modem is in transmit mode and the Interleave Buffer is empty, a mid level (half-way between '+1' and '-1') signal will be sent to the low pass filter.

In receive mode this bit is set to '1' - also setting the IRQ bit - when the Autonomous Frame Sync circuit is enabled (by setting b7 of the Command Register) and a received Frame Sync pattern is detected. The bit is cleared to '0' immediately after reading the Status Register. To avoid confusion this bit is not set when Frame Sync is detected as part of a RD-LAP SFP task.

In receive mode this bit is also cleared to '0' by a RESET task or by a change of the Mode Register TXRXN, ZP or PSAVE bits.

Status Register B4: DIBOVF - De-Interleave Buffer Overflow

In receive mode this bit will be set to '1' - also setting the IRQ bit - when a RHB, RILB, RSID, R8B or R4S task is written to the Command Register too late to allow continuous reception.

The bit is cleared to '0' immediately after reading the Status Register, by writing a RESET task to the Command Register or by changing the TXRXN, ZP or PSAVE bits of the Mode Register.

In transmit mode this bit is '0'.

Status Register B3: CRCERR - CRC Checksum Error

In receive mode this bit will be updated at the end of a SFP, RHB, RILB or RSID task (when BFREE goes high) to reflect the result of the receive CRC check. '0' indicates that the CRC was received correctly, '1' indicates an error. In transmit mode this bit will be '0'.

Note that this bit should be ignored when an 'Intermediate' block (which does not have an integral CRC) is received.

The bit is cleared to '0' by a RESET task, or by changing the TXRXN, ZP or PSAVE bits of the Mode Register.

Status Register B2: SRDY - 'S' Symbol Ready

In receive mode this bit is set to '1' whenever an 'S' symbol or channel status bit (other than the 94th bit) has been received. In RD-LAP mode the μ C may then read the value of the symbol from the SVAL field of the Status Register. In MDC mode the value of the received channel status bit will be in bit 0 of the Status Register.

In transmit mode this bit is set to '1' whenever an 'S' symbol or channel status bit (other than the 94th bit) has been transmitted.

The bit is cleared to '0' immediately after a read of the Status Register, by a RESET task or by changing the TXRXN, ZP or PSAVE bits of the Mode Register.

Status Register B1, B0: RD-LAP Mode: SVAL - Received 'S' Symbol Value

In receive RD-LAP mode these two bits reflect the value of the latest received 'S' symbol. In transmit mode, these two bits will be '0'.

Status Register B1: MDC Mode: Received Frame Sync Type

In receive MDC mode this bit reflects the type of Frame Synchronisation pattern received:

'0' indicates Frame Sync SYNC1 (\$07092A446F, msb first)

'1' indicates Frame Sync SYNC2 (logical inverse of SYNC1)

Status Register B0: MDC Mode: SBIT - Received Channel Status Bit

In receive MDC mode this bit reflect the value of the latest received channel status bit. In transmit mode, this bit will be '0'.

1.5.5.6 Data Quality Register

In receive mode, the CMX969 continually measures the 'quality' of the received signal, by comparing the actual received waveform against an internally generated 'ideal' 2 or 4-level FSK baseband signal.

The result is placed into bits 3-7 of the Data Quality Register for the μ C to read at any time, bits 0-2 being always set to '0'. Figure 12 shows how the value (0-255) read from the Data Quality Register varies with received raw (uncorrected) bit error rate:

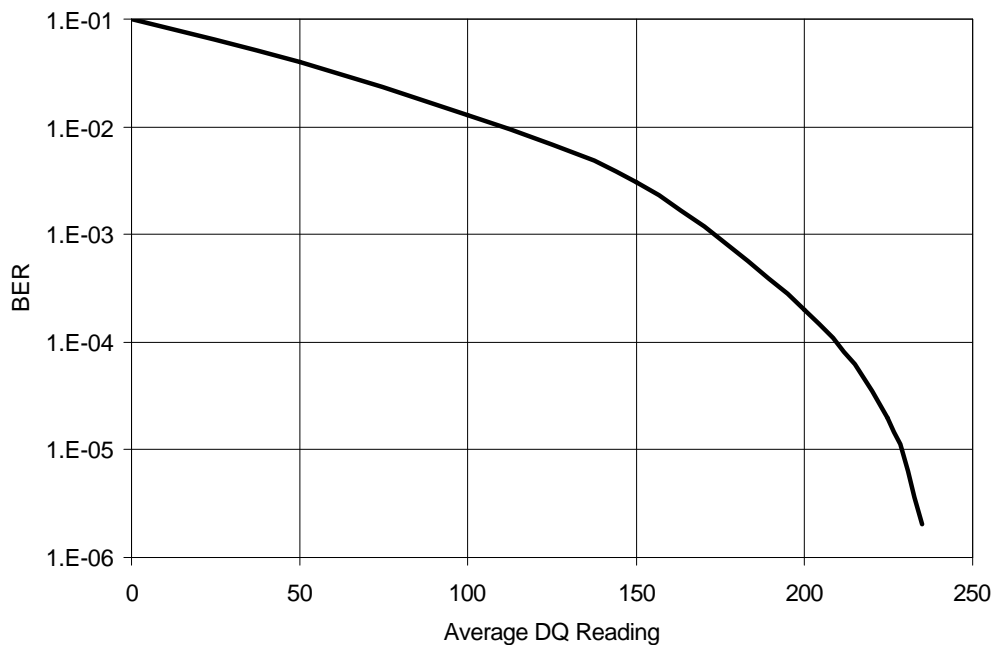


Figure 12 Typical Data Quality Reading vs BER (uncorrected)

The Data Quality readings are only valid when the modem has successfully acquired signal level and timing lock for at least 64 symbol times. A low reading will be obtained if the received signal waveform is distorted in any significant way.

1.6 Application Notes

1.6.1 Autonomous Frame Sync Detect Function

In receive mode the CMX969 needs to know the received signal levels and symbol timing in order to successfully extract the received data from the incoming signal. This can be done by using the AFSD function to establish the levels and timing from the Frame Sync pattern at the start of a received message.

The AFSD function is enabled whenever bit 7 of the Command Register is 1 and operates in parallel with any other receive task that may be running. It monitors the received signal for the presence of a Frame Sync pattern without regard for any preconceived idea of the symbol timing or levels. When a Frame Sync pattern is found the AFSD function then uses it to establish the optimum timing and levels for extracting the following data.

This contrasts with the SFS and SFP (Search for Frame Sync and Search for Frame Preamble) tasks that rely on previously established timing and level information and - when a Frame Sync pattern is detected - do not change these timing and level settings.

On detecting a Frame Sync pattern the AFSD function sets the AFSDDET and IRQ bits of the Status Register and terminates any other current task.

AFSD should be enabled to look for a Frame Sync pattern whenever the CMX969 is switched to receive mode or the radio is switched to a new receive channel or when the transmitter may have been switched off - in fact in any circumstance where the correct levels and timing need to be re-established.

Once Frame Sync has been detected the AFSD function may be switched off if it is known that the transmitter is sending continuous concatenated frames, in which case SFS or SFP tasks should be used to find subsequent Frame Sync patterns. Alternatively, the AFSD function may be used instead of SFS to find all received Frame Sync patterns.

If the system is operating in SFR (Single Frequency Re-use) mode and so has to be able to detect the start of a new (stronger) transmission then AFSD should be left running so that it can detect the new transmitter and automatically abort any current task and adjust the timing and level settings to suit the new signal.

1.6.2 Rx Control Procedure

The following procedure illustrates how the CMX969 can be controlled to receive one or more messages in MDC mode. RD-LAP mode is similar except that the first block of each message will be a Station ID block.

| Step | Action | Notes |
|------|---|--|
| 0 | <p>Switch radio onto receive channel.</p> <p>CMX969 Mode Register IRQNEN, INVSYM and SSIEN bits should be set as required, other bits 0.</p> <p>Control Register should have CKDIV bits set as required, MDC bit = 1, all other bits 0.</p> | |
| 1 | Write RESET + AFSD (87h) to Command Register | Reset the device and start searching for a Frame Sync pattern using AFSD. AFSD should always be used instead of SFS to look for the first Frame Sync when switching into Rx mode or when the Rx channel is changed. |
| 2 | Wait for Status Register AFSDDET bit to go to 1 | AFSDDET will go to 1 when Frame Sync is detected. |
| 3 | Write RHB + AFSD (82h) to Command Register. | Tell the CMX969 to receive and decode the first Header block. Keep AFSD function running in case a false Frame Sync had been detected or in case a new transmitter starts up on this radio channel. |
| 4 | <p>Wait for Status Register AFSDDET or BFREE bits to go to 1.</p> <p>If AFSDDET bit = 1 then a new Frame Sync has been detected so go to step 3.</p> <p>If AFSDDET = 0 and BFREE = 1 the previous Rx task (RHB or RILB) has completed. Read Rx data from Data Buffer. Check the Status Register CRCERR bit if it was a Header block or the 'last' Data block.</p> | <p>Wait for the CMX969 to finish the current task or for the AFSD function to recognise a new Frame Sync.</p> <p>If a new Frame Sync has been detected then it is the start of a new message to abandon the 'old' one and start to receive and decode the 'new' one.</p> <p>CMX969 has received and decoded a Header Intermediate or Last block. Read the data and check the CRC if the block contained one.</p> |

| | | |
|---|---|--|
| 5 | <p>To receive and decode the next block from this Rx message write AFSD + RHB or RILB (82h or 83h) to the Command Register and go to step 4.</p> <p>If we have received all of the blocks in the message or wish to ignore any following blocks in this message then write AFSD (80h) to the Command Register and go to step 2.</p> | <p>If we want to continue receiving the rest of this Rx message then tell the CMX969 to receive and decode the next block. Keep the AFSD function running in case a new transmitter starts up on this channel (SFR).</p> <p>AFSD will detect the next Fram Sync pattern. See note.</p> |
|---|---|--|

Note: Once a Frame Sync pattern has been detected with AFSD then if the radio is receiving concatenated messages and if the system does not employ Single Frequency Reuse techniques subsequent Frame Sync patterns may be detected by using a SFS task (04h) instead of AFSD. Using SFS will reduce the, very small, chance of a false Frame Sync detection. Note that the SFS task signals that it has found a Frame Sync pattern by setting the Status Register BFREE bit to 1, whereas AFSD sets the AFSDDET bit.

1.7 Performance Specification

1.7.1 Electrical Performance

1.7.1.1 Absolute Maximum Ratings

Exceeding these maximum ratings can result in damage to the device.

| | Min. | Max. | Units |
|---|------|----------------|-------|
| Supply ($V_{DD} - V_{SS}$) | -0.3 | 7.0 | V |
| Voltage on any pin to V_{SS} | -0.3 | $V_{DD} + 0.3$ | V |
| Current into or out of V_{DD} and V_{SS} pins | -30 | +30 | mA |
| Current into or out of any other pin | -20 | +20 | mA |

| P4 Package | Min. | Max. | Units |
|---|------|------|------------------------|
| Total Allowable Power Dissipation at $T_{amb} = 25^{\circ}\text{C}$ | | 800 | mW |
| ... Derating | | 13 | mW/ $^{\circ}\text{C}$ |
| Storage Temperature | -55 | +125 | $^{\circ}\text{C}$ |
| Operating Temperature | -40 | +85 | $^{\circ}\text{C}$ |

| E2 Package | Min. | Max. | Units |
|---|------|------|------------------------|
| Total Allowable Power Dissipation at $T_{amb} = 25^{\circ}\text{C}$ | | 400 | mW |
| ... Derating | | 5.3 | mW/ $^{\circ}\text{C}$ |
| Storage Temperature | -55 | +125 | $^{\circ}\text{C}$ |
| Operating Temperature | -40 | +85 | $^{\circ}\text{C}$ |

| D5 Package | Min. | Max. | Units |
|---|------|------|------------------------|
| Total Allowable Power Dissipation at $T_{amb} = 25^{\circ}\text{C}$ | | 550 | mW |
| ... Derating | | 9 | mW/ $^{\circ}\text{C}$ |
| Storage Temperature | -55 | +125 | $^{\circ}\text{C}$ |
| Operating Temperature | -40 | +85 | $^{\circ}\text{C}$ |

1.7.1.2 Operating Limits

Correct operation of the device outside these limits is not implied.

Correct operation for supply voltages less than 3.0V is subject to a restricted temperature range.

| | Notes | Min. | Max. | Units |
|------------------------------|-------|------|------|--------------------|
| Supply ($V_{DD} - V_{SS}$) | | 2.7 | 5.5 | V |
| Operating Temperature | | -40 | +85 | $^{\circ}\text{C}$ |
| Symbol Rate | | 2000 | 9700 | Symbols/sec |
| Xtal Frequency | | 1.0 | 10.0 | MHz |

1.7.1.3 Operating Characteristics

For the following conditions unless otherwise specified:

Xtal Frequency = 4.9152MHz.

Symbol Rate = RD-LAP mode 9600 symbols/sec, MDC mode 4800 symbols/sec.

V_{DD} = 3.0V to 5.5V, T_{amb} = - 40°C to +85°C.

| | Notes | Min. | Typ. | Max. | Units |
|--|-------|-------|------|-------|------------|
| DC Parameters | | | | | |
| I_{DD} (V_{DD} = 5.0V) | 1 | | 4.0 | 9.0 | mA |
| I_{DD} (V_{DD} = 3.0V) | 1 | | 2.5 | 5.0 | mA |
| I_{DD} (Powersave Mode, V_{DD} = 5.0V) | 1 | | 1.5 | | mA |
| I_{DD} (Powersave Mode, V_{DD} = 3.3V) | 1 | | 0.8 | | mA |
| I_{DD} (Zero Power Mode, V_{DD} = 5.0V) | 1, 1a | | | 10.0 | μ A |
| AC Parameters | | | | | |
| Tx Output | | | | | |
| TXOP Impedance | 2 | | 1.0 | 2.5 | k Ω |
| Signal Level RD-LAP | 3 | 1.6 | 2.0 | 2.4 | V p-p |
| Signal Level MDC | 3 | 0.71 | 0.89 | 1.07 | V p-p |
| Output DC Offset wrt $V_{DD}/2$ | 4 | -0.25 | | +0.25 | V |
| Rx Input | | | | | |
| RXIN Impedance (at 100Hz) | | | 10.0 | | M Ω |
| RXIN Amp Voltage Gain (I/P = 1mVrms at 100Hz) | | | 300 | | V/V |
| Input Signal Level RD-LAP | 5 | 1.0 | | 2.5 | V p-p |
| Input Signal Level MDC | 5 | 0.5 | | 1.2 | V p-p |
| Input DC Offset wrt $V_{DD}/2$ | 5 | -1.0 | | +1.0 | V |
| Xtal Input | | | | | |
| 'High' Pulse Width | 6 | 40.0 | | | ns |
| 'Low' Pulse Width | 6 | 40.0 | | | ns |
| Input Impedance (at 100Hz) | | | 10.0 | | M Ω |
| Inverter Gain (I/P = 1mVrms at 100Hz) | | | 20.0 | | dB |
| μC Interface | | | | | |
| Input Logic "1" Level | 7, 8 | 70% | | | V_{DD} |
| Input Logic "0" Level | 7, 8 | | | 30% | V_{DD} |
| Input Leakage Current (V_{in} = 0 to V_{DD}) | 7, 8 | -5.0 | | +5.0 | μ A |
| Input Capacitance | 7, 8 | | 10.0 | | pF |
| Output Logic "1" Level (I_{OH} = 120 μ A) | 8 | 92% | | | V_{DD} |
| Output Logic "0" Level (I_{OL} = 360 μ A) | 8, 9 | | | 8% | V_{DD} |
| 'Off' State Leakage Current (V_{out} = V_{DD}) | 9 | | | 10.0 | μ A |

- Notes:**
- At 25°C. Not including any current drawn from the modem pins by external circuitry other than the Xtal oscillator.
 - 1a Mode Register TXRXN bit set to 0.
 - Small signal impedance, at V_{DD} = 5.0V and T_{amb} = 25°C.
 - For a "+3 +3 -3 -3...." symbol sequence in RD-LAP mode, "+1 -1 .." in MDC mode, at V_{DD} = 5.0V and T_{amb} = 25°C (Tx output level is proportional to V_{DD}).
 - Measured at the TXOP pin with the modem in Rx or Tx idle mode.

5. For optimum performance, measured at RXFB pin, for a "...+3 +3 -3 -3..." symbol sequence in RD-LAP mode, "+1 -1" in MDC mode, at $V_{DD} = 5.0V$ and $T_{amb} = 25^{\circ}C$. The optimum input level and DC offset values are proportional to V_{DD} . Signal peaks should not go outside the range of $(V_{SS} + 0.25V)$ to $(V_{DD} - 0.25V)$.
6. Timing for an external input to the XTAL pin.
7. WRN, RDN, CSN, A0 and A1 pins.
8. D0 - D7 pins.
9. IRQN pin.

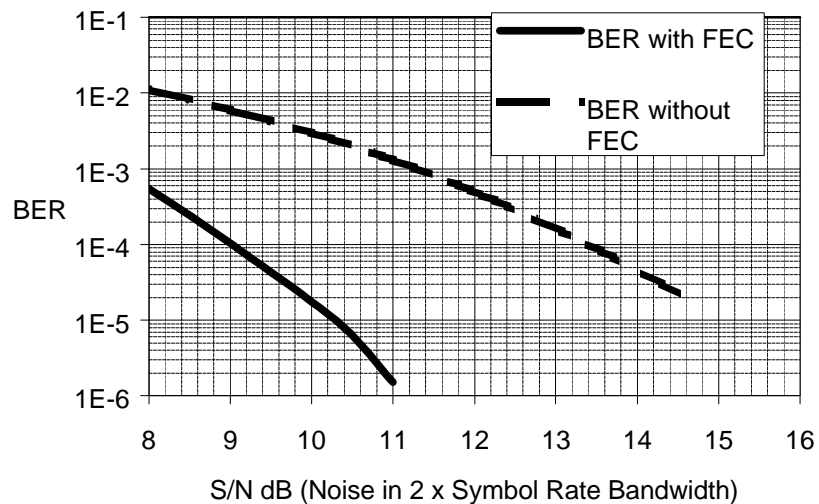


Figure 13a Typical Bit Error Rate With and Without FEC: RD-LAP Mode

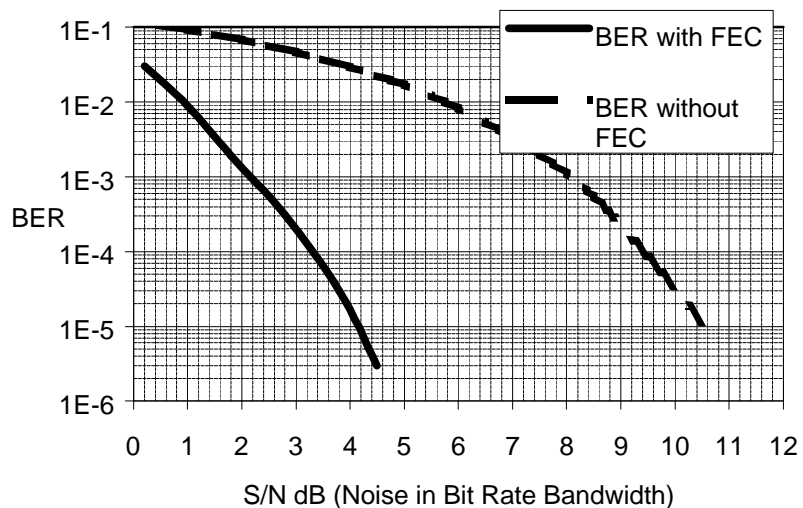


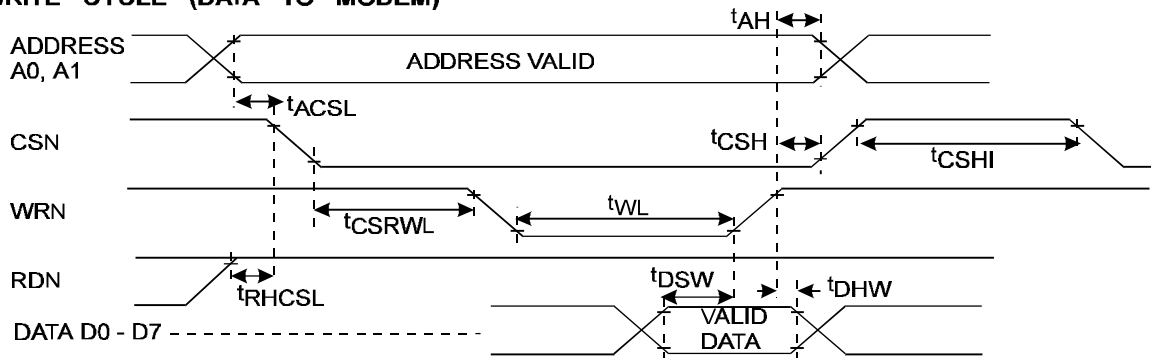
Figure 13b Typical Bit Error Rate With and Without FEC: MDC Mode

Note: BER vs. S/N measured under nominal working conditions, after a Frame Sync has been detected using AFSD, with pseudo-random data.

| | Notes | Min. | Typ. | Max. | Units |
|---|----------------------------------|------|------|------|--------------|
| µC Parallel Interface Timings (ref. Figure 14) | | | | | |
| t_{ACSL} | Address valid to CSN low time | 0 | | | ns |
| t_{AH} | Address hold time | 0 | | | ns |
| t_{CSH} | CSN hold time | 0 | | | ns |
| t_{CSHI} | CSN high time | 10 | 6.0 | | clock cycles |
| t_{CSRWL} | CSN to WRN or RDN low time | 0 | | | ns |
| t_{DHR} | Read data hold time | 0 | | | ns |
| t_{DHW} | Write data hold time | 0 | | | ns |
| t_{DSW} | Write data setup time | 90.0 | | | ns |
| t_{RHCSL} | RDN high to CSN low time (write) | 0 | | | ns |
| t_{RACL} | Read access time from CSN low | 11 | | 175 | ns |
| t_{RARL} | Read access time from RDN low | 11 | | 145 | ns |
| t_{RL} | RDN low time | 200 | | | ns |
| t_{RX} | RDN high to D0-D7 3-state time | | | 50.0 | ns |
| t_{WHCSL} | WRN high to CSN low time (read) | 0 | | | ns |
| t_{WL} | WRN low time | 200 | | | ns |

Notes: 10. Xtal clock cycles at the XTAL pin.
 11. With 30pF max to V_{SS} on D0 - D7 pins.

WRITE CYCLE (DATA TO MODEM)



READ CYCLE (DATA FROM MODEM)

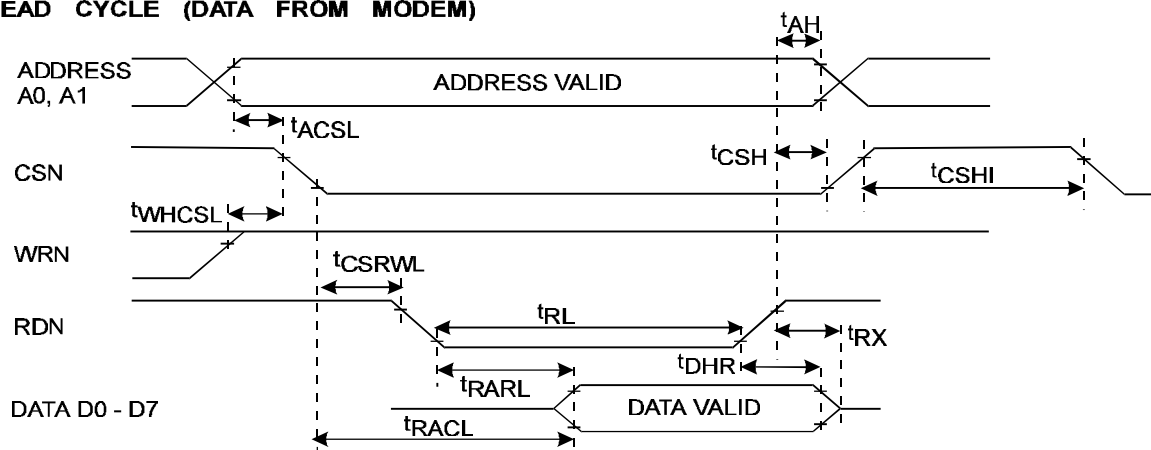
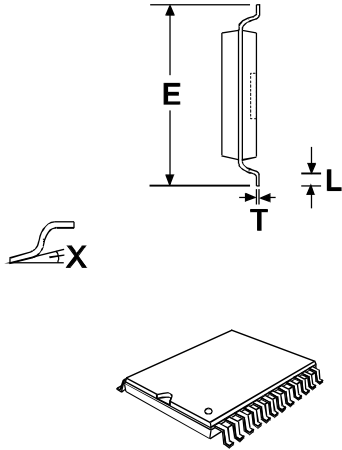
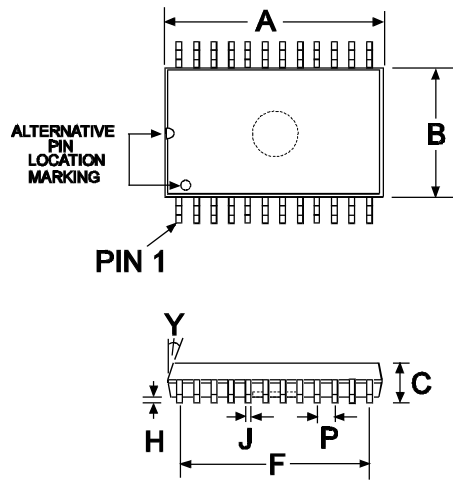


Figure 14 µC Parallel Interface Timings

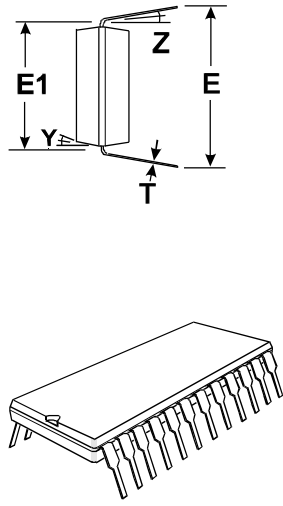
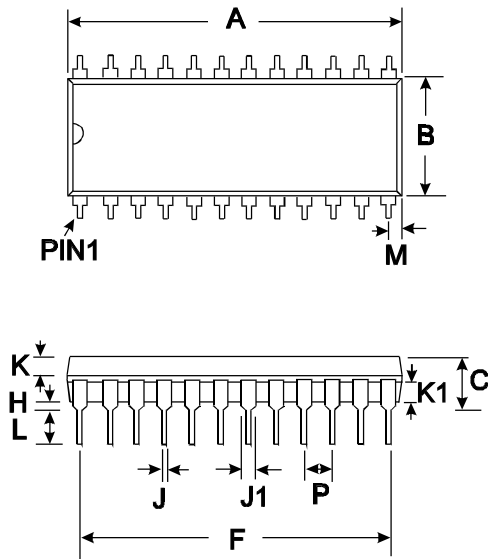
1.7.2 Packaging



| DIM. | MIN. | TYP. | MAX. |
|------|--------------|--------------|--------------|
| * A | 0.303 (7.70) | | 0.311 (7.90) |
| * B | 0.169 (4.30) | | 0.177 (4.50) |
| C | | 0.047 (1.20) | |
| E | 0.248 (6.30) | | 0.256 (6.50) |
| F | | 0.286 (7.15) | |
| H | 0.002 (0.05) | | 0.006 (0.15) |
| J | 0.007 (0.17) | | 0.012 (0.30) |
| L | 0.020 (0.50) | | 0.030 (0.75) |
| P | | 0.026 (0.65) | |
| T | 0.003 (0.08) | | 0.008 (0.20) |
| X | 0° | | 7° |
| Y | | 12° | |

NOTE :
 * A & B are reference datum's and do not include mold deflash or protrusions.
 All dimensions in inches (mm.)
 Angles are in degrees

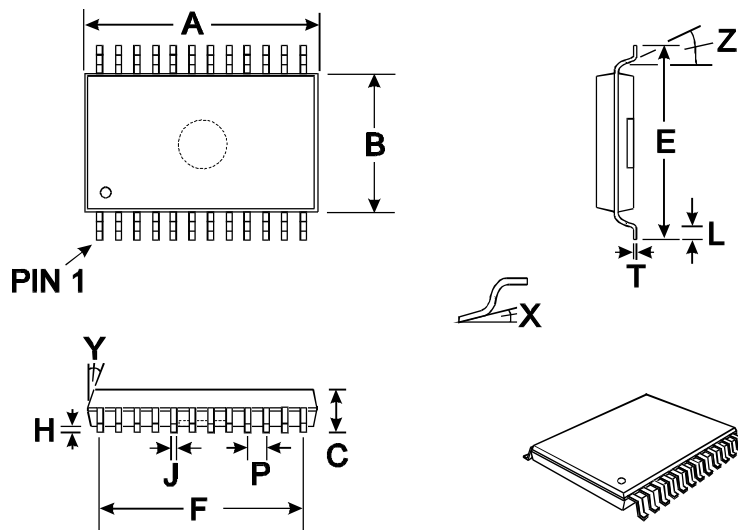
Figure 15 E2 Mechanical Outline: Order as part no. CMX969E2



| DIM. | MIN. | TYP. | MAX. |
|------|---------------|--------------|---------------|
| * A | 1.200 (30.48) | | 1.270 (32.26) |
| * B | 0.500 (12.70) | | 0.555 (14.10) |
| C | 0.151 (3.84) | | 0.220 (5.59) |
| E | 0.600 (15.24) | | 0.670 (17.02) |
| E1 | 0.590 (14.99) | | 0.625 (15.88) |
| F | | 1.10 (27.94) | |
| H | 0.015 (0.38) | | 0.045 (1.14) |
| J | 0.015 (0.38) | | 0.023 (0.58) |
| J1 | 0.040 (1.02) | | 0.065 (1.65) |
| K | 0.066 (1.68) | | 0.074 (1.88) |
| K1 | 0.060 (1.52) | | 0.074 (1.88) |
| L | 0.121 (3.07) | | 0.160 (4.06) |
| M | | 0.180 (4.58) | |
| P | | 0.100 (2.54) | |
| T | 0.008 (0.20) | | 0.015 (0.38) |
| Y | | 7° | |
| Z | | 4° | |

NOTE :
 * A & B are reference datum's and do not include mold deflash or protrusions.
 All dimensions in inches (mm.)
 Angles are in degrees

Figure 16 P4 Mechanical Outline: Order as part no. CMX969P4



| DIM. | MIN. | TYP. | MAX. |
|------|--------------|--------------|--------------|
| * A | 0.318 (8.08) | | 0.328 (8.33) |
| * B | 0.205 (5.21) | | 0.213 (5.39) |
| C | 0.066 (1.67) | | 0.079 (2.00) |
| E | 0.301 (7.65) | | 0.312 (7.90) |
| F | | 0.281 (7.15) | |
| H | 0.002 (0.05) | | 0.008 (0.21) |
| J | 0.010 (0.25) | | 0.015 (0.38) |
| L | 0.022 (0.56) | | 0.037 (0.94) |
| P | | 0.026 (0.65) | |
| T | 0.005 (0.13) | | 0.009 (0.23) |
| X | 0° | | 8° |
| Y | 7° | | 9° |
| Z | 4° | | 10° |

NOTE :

- * A & B are reference datum's and do not include mold deflash or protrusions.

All dimensions in inches (mm.)
Angles are in degrees

Figure 17 D5 Mechanical Outline: Order as part no. CMX969D5

Handling precautions: This product includes input protection, however, precautions should be taken to prevent device damage from electro-static discharge. CML does not assume any responsibility for the use of any circuitry described. No IPR or circuit patent licences are implied. CML reserves the right at any time without notice to change the said circuitry and this product specification. CML has a policy of testing every product shipped using calibrated test equipment to ensure compliance with this product specification. Specific testing of all circuit parameters is not necessarily performed.



CML Microcircuits

COMMUNICATION SEMICONDUCTORS

CML Product Data

In the process of creating a more global image, the three standard product semiconductor companies of CML Microsystems Plc (*Consumer Microcircuits Limited (UK)*, *MX-COM, Inc (USA)* and *CML Microcircuits (Singapore) Pte Ltd*) have undergone name changes and, whilst maintaining their separate new names (*CML Microcircuits (UK) Ltd*, *CML Microcircuits (USA) Inc* and *CML Microcircuits (Singapore) Pte Ltd*), now operate under the single title **CML Microcircuits**.

These companies are all 100% owned operating companies of the CML Microsystems Plc Group and these changes are purely changes of name and do not change any underlying legal entities and hence will have no effect on any agreements or contacts currently in force.

CML Microcircuits Product Prefix Codes

Until the latter part of 1996, the differentiator between products manufactured and sold from MXCOM, Inc. and Consumer Microcircuits Limited were denoted by the prefixes MX and FX respectively. These products use the same silicon etc. and today still carry the same prefixes. In the latter part of 1996, both companies adopted the common prefix: CMX.

This notification is relevant product information to which it is attached.

Company contact information is as below:



**CML Microcircuits
(UK) Ltd**

COMMUNICATION SEMICONDUCTORS

Oval Park, Langford, Maldon,
Essex, CM9 6WG, England
Tel: +44 (0)1621 875500
Fax: +44 (0)1621 875600
uk.sales@cmlmicro.com
www.cmlmicro.com



**CML Microcircuits
(USA) Inc.**

COMMUNICATION SEMICONDUCTORS

4800 Bethania Station Road,
Winston-Salem, NC 27105, USA
Tel: +1 336 744 5050,
0800 638 5577
Fax: +1 336 744 5054
us.sales@cmlmicro.com
www.cmlmicro.com



**CML Microcircuits
(Singapore) Pte Ltd**

COMMUNICATION SEMICONDUCTORS

No 2 Kallang Pudding Road, 09-05/
06 Mactech Industrial Building,
Singapore 349307
Tel: +65 7450426
Fax: +65 7452917
sg.sales@cmlmicro.com
www.cmlmicro.com