

C3225JB1H475K250AB

TDK Item Description : C3225JB1H475KT****

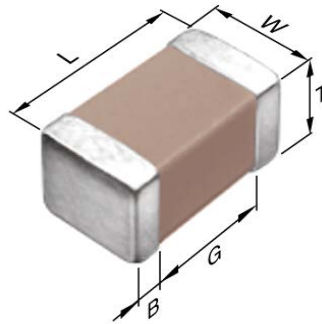


Application & Main Feature

Commercial Grade (General (Up to 50V))

Series

C3225 [EIA 1210]



Dimensions

L	3.20mm +/-0.4mm
W	2.50mm +/-0.3mm
T	2.50mm +/-0.3mm
B	0.20mm Min.
G	

Temperature Characteristic

JB (-25 to 85 degC +/-10%)

Rated Voltage

1H (50Vdc)

Capacitance

4.7uF

Capacitance Tolerance

K (+/-10%)

Dissipation Factor

5% Max.

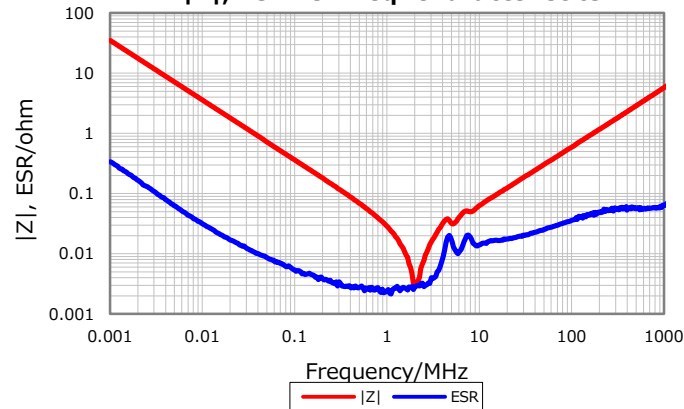
Insulation Resistance

106Mohm Min.

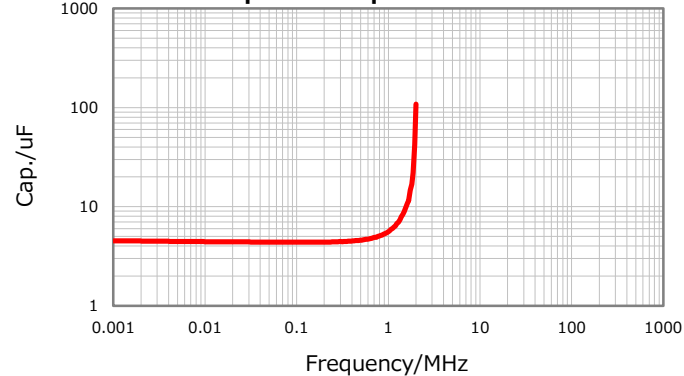
AEC-Q200

Not Applicable

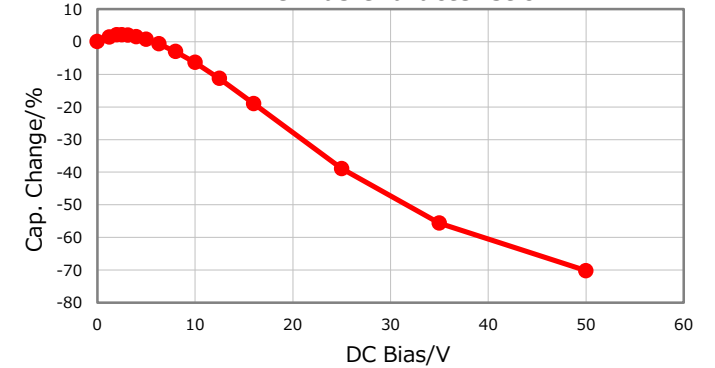
|Z|, ESR vs. Freq. Characteristics



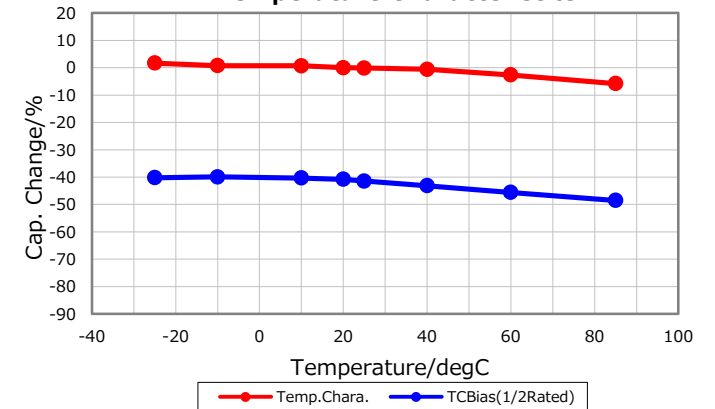
Cap. vs. Freq. Characteristic



DC Bias Characteristic



Temperature Characteristics



Ripple Temperature Rise Characteristics

