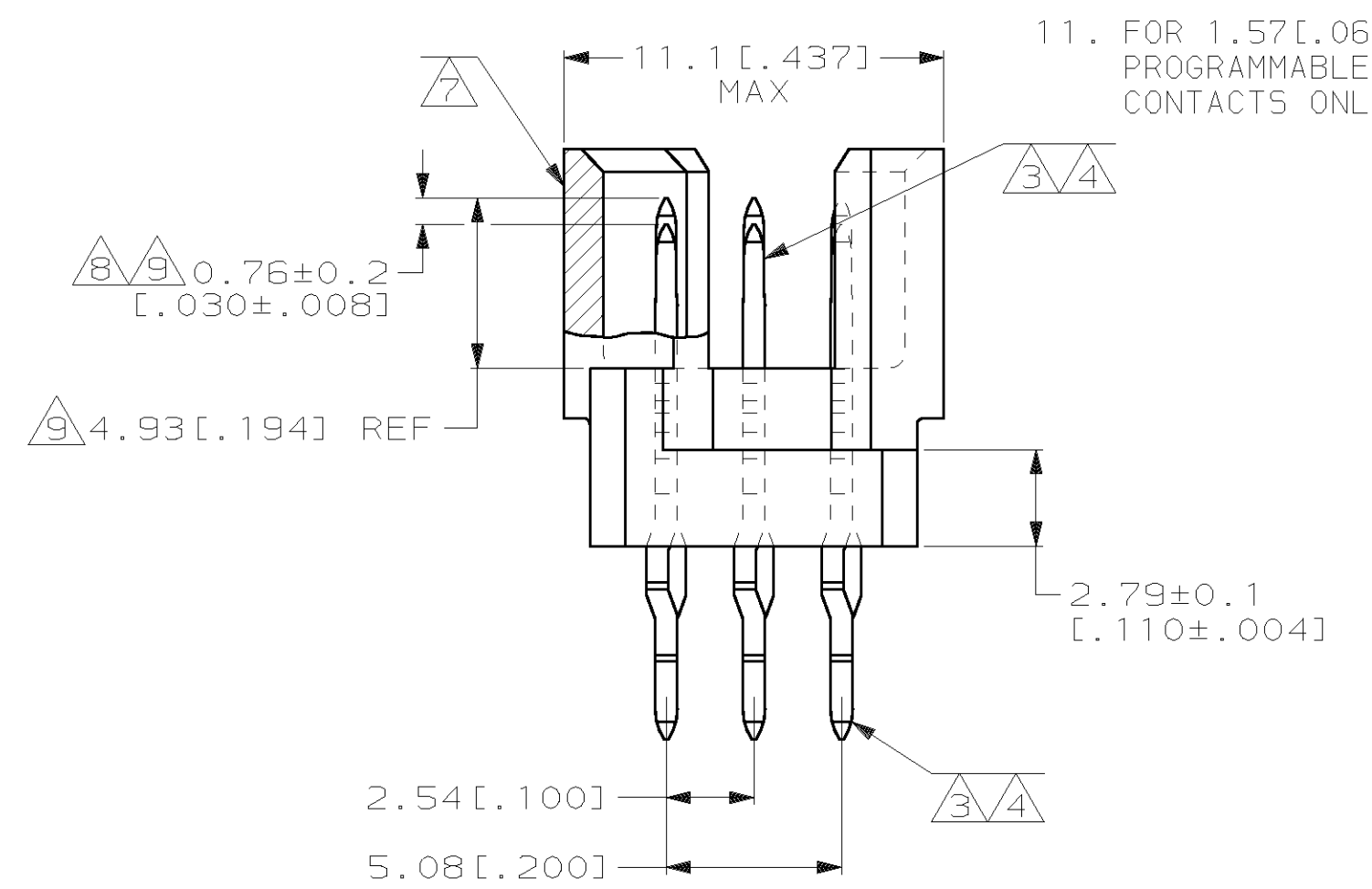
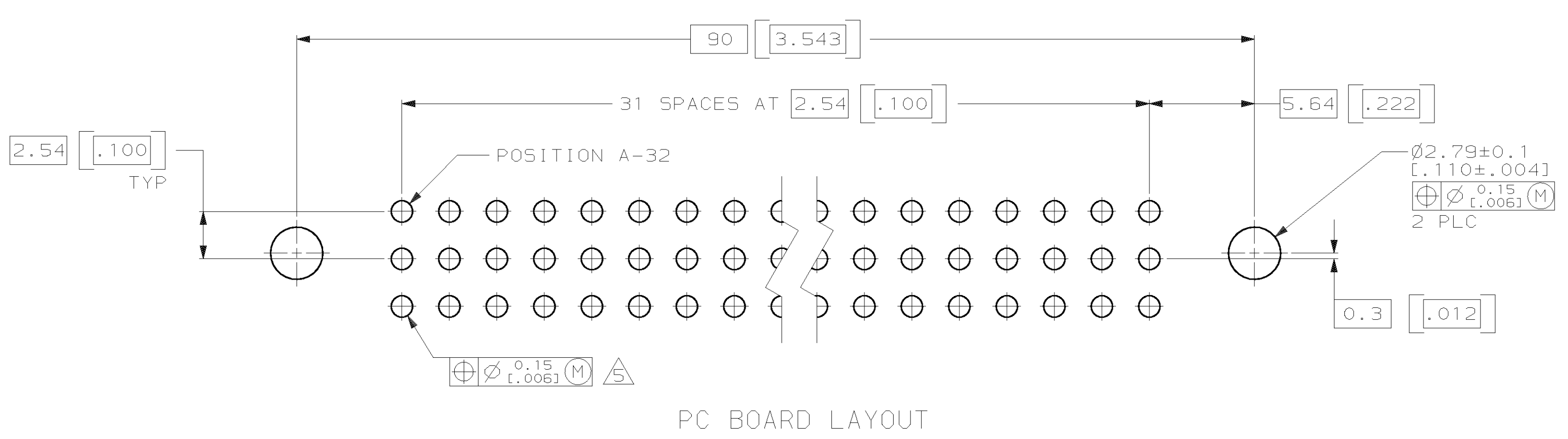
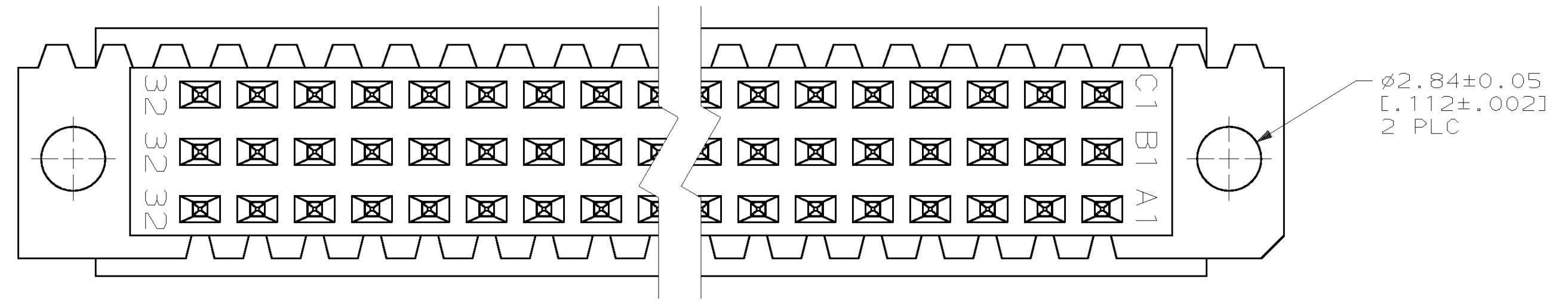
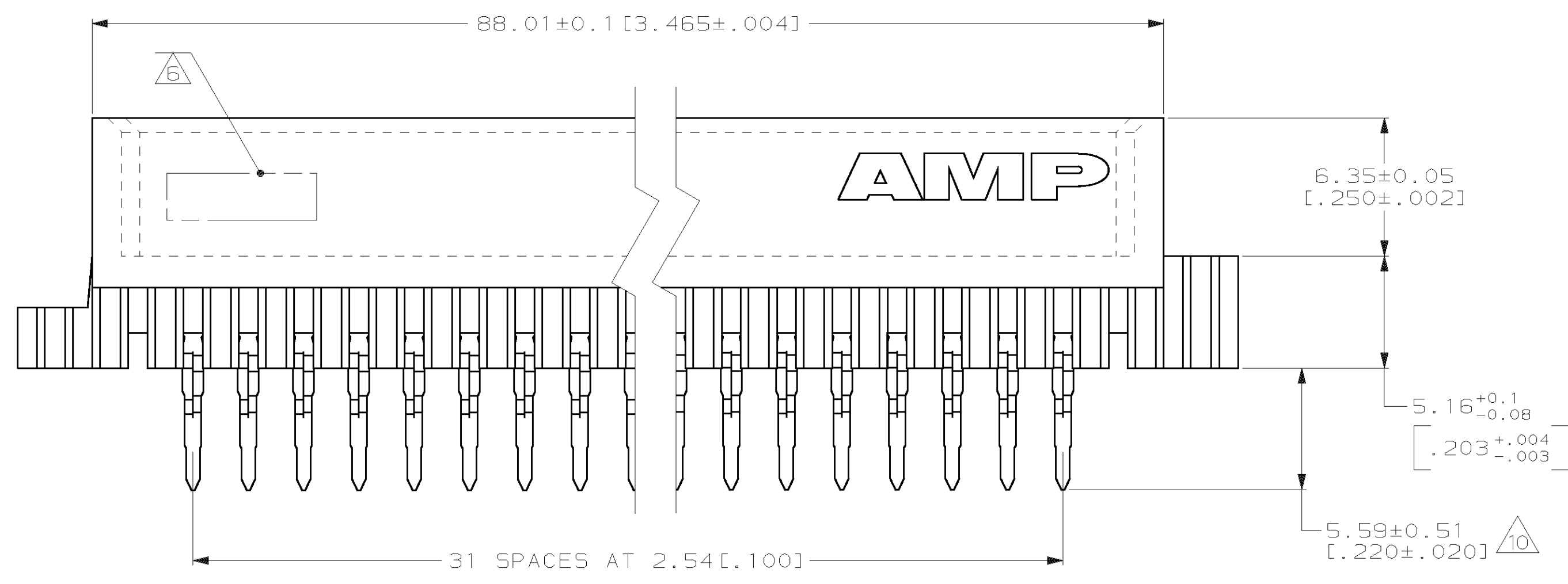
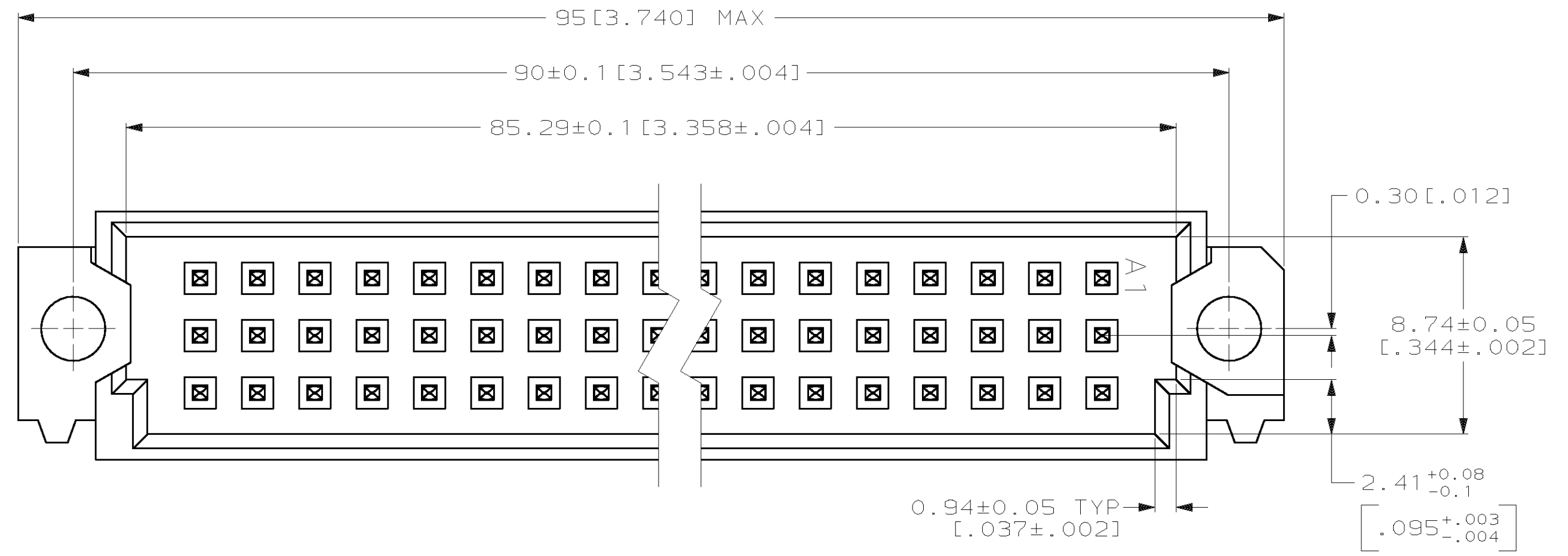


LOC		DIST		P		F		ZONE		LTR		REVISIONS			
AD	25											DESCRIPTION	DATE	APPD	
												O	DRAWN	-	-
												A	ECN AD6251	3/9/92	LSB
												B	ECN AD6256	6/2/92	LSB
												C	EC 0010-0269-92	11/23/92	LSB
												E	EC 0010-0880-93, 0010-1320-93	9/17/93	LSB
												F	EC 0010-0151-94	2/7/94	LSB
												G	EC 0010-0436-94	3/25/94	LSB
												H	REV PER EC 0512-0029-03	08DEC03	AMS



- 1 HOUSING MATERIAL: GLASS-FILLED POLYESTER. COLOR: GRAY.
- 2 POST MATERIAL: PHOSPHOR BRONZE.
- 3 POST FINISH: DIN 41612 CLASS 3 IN CONTACT AREA. TIN-LEAD PLATE ON POSTS.
- 4 POST FINISH: DIN 41612 CLASS 2 IN CONTACT AREA. TIN-LEAD PLATE ON POSTS.
- 5 PC BOARD HOLES REQUIRED FOR ACTION PIN CONTACTS ARE 1.151 [.0453] DRILL DIAMETER PLATED THROUGH WITH 0.02-.0.08 [.001-.003] COPPER AND 0.008 [.0003] MINIMUM TIN-LEAD PLATING. FINISHED HOLE AFTER PLATING, 0.94-1.09 [.037-.043] DIAMETER.
- 6 [PART NUMBER, DATE CODE] MARKED THIS APPROXIMATE AREA.
- 7 MARKING ON THIS SIDE.
- 8 FOR "MFBL" APPLICATIONS, A 2.36 [.093] MINIMUM THICK PC BOARD IS REQUIRED. PROGRAMMABLE SEATING TOOL 768216-2 MUST BE USED.
- 9 TO BE 4.16 [.164] REF FOR LAST MAKE PINS AFTER SEATING. POST LENGTH DIFFERENCE BETWEEN SHORT AND LONG PINS TO BE 0.76 ± 0.2 [.030 ± .008] AFTER SEATING.
- 10 THIS DIMENSION WILL BE 6.35 ± 0.51 [.250 ± .020] AFTER SEATING FOR PINS WITH 4.17 [.164] REF MATING POST.
11. FOR 1.57 [.062] THICK PC BOARD APPLICATIONS, USE SEATING TOOL 768211-2. PROGRAMMABLE SEATING TOOL 768216-2 WITH PUSH PINS FOR MAKE FIRST CONTACTS ONLY, CAN ALSO BE USED.

SUPERSEDED BY 536019-5						
LOC	DIST	P	F	ZONE	LTR	DESCRIPTION
3						1-32 X X X 96 536019-9
4						1-32 X X X 96 536019-5

NOTES	POSITIONS LOADED	C	B	A	NO. OF LOADED POSITION	ASSY PART NUMBER

DO NOT SCALE PRINT. UNLESS SPECIFIED DIMENSIONS IN mm [INCHES] TOLERANCES ON:		DR L. BRINER 10/24/91		PART NO	
1 PLC DEC ±	0.13 [.005]	CHK D.C. RUBENDALL 11/6/91	AMP Incorporated Harrisburg, PA 17105-3608		
2 PLC DEC ±	0.13 [.005]	APPD D.C. RUBENDALL 11/6/91	NAME		
ANGLES ±	-	APPD K.R. PARMER 11/6/91	PIN ASSEMBLY, EUROCARD, TYPE R MFBL OR FOR 1.57 [.062] PC BOARD		
HOUSING: 1		PRODUCT SPEC		SIZE CAGE CODE DRAWING NO	
POST: 3 4		APPLICATION SPEC		D 00779 536019	
FINISH		WEIGHT		SCALE 5:1 SHEET 1 OF 1	