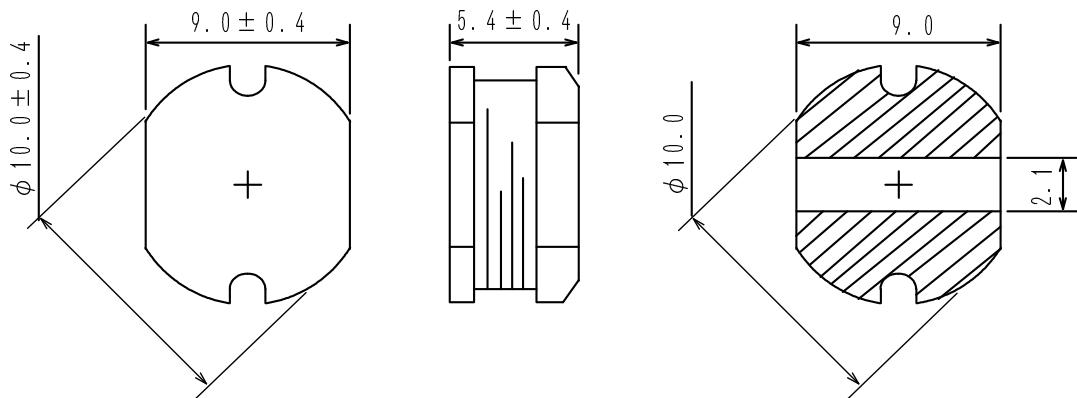
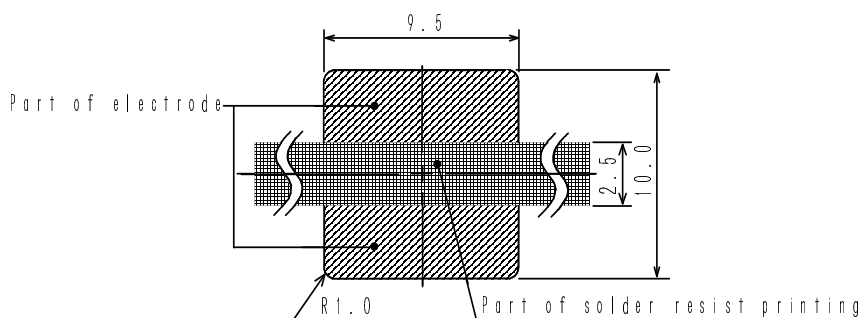


**Type: CD105, CD105B**
**◆ Product Description**

- 10.4×9.4mm Max.(L×W), 5.8mm Max. Height.
- Inductance range:10~820  $\mu$  H.
- Rated current range:0.24~2.6A (at 20°C for two types)  
0.22~1.92A (at 105°C for CD105B)
- In addition to the standards versions shown here,  
custom inductors are also available to meet your exact requirements.


**◆ Feature**

- Magnetically unshielded construction.
- Ideally used in PDA,MP3,DSC/DVC,HDD,Portable DVD,etc as DC-DC Converter inductors.
- RoHS Compliance

**◆ Dimensions (mm)**

**◆ Land Pattern (mm)**


**Type: CD105, CD105B**
**◆ Specification(CD105)**

Part Name ※	Stamp	Inductance [Within] ( $\mu$ H) ※1	D.C.R. ( $\Omega$ ) [MAX.] (at 20°C)	Rated current (A) ※2	S.R.F. (MHz) [TYP.]
CD105NP-100M□	100M	10 $\pm$ 20%	0.06	2.60	25.1
CD105NP-120M□	120M	12 $\pm$ 20%	0.07	2.45	23.1
CD105NP-150M□	150M	15 $\pm$ 20%	0.08	2.27	19.1
CD105NP-180M□	180M	18 $\pm$ 20%	0.09	2.15	18.1
CD105NP-220M□	220M	22 $\pm$ 20%	0.10	1.95	15.9
CD105NP-270M□	270M	27 $\pm$ 20%	0.11	1.76	14.0
CD105NP-330M□	330M	33 $\pm$ 20%	0.12	1.50	13.1
CD105NP-390M□	390M	39 $\pm$ 20%	0.14	1.37	12.2
CD105NP-470K□	470K	47 $\pm$ 10%	0.17	1.28	10.6
CD105NP-560K□	560K	56 $\pm$ 10%	0.19	1.17	10.2
CD105NP-680K□	680K	68 $\pm$ 10%	0.22	1.11	9.26
CD105NP-820K□	820K	82 $\pm$ 10%	0.25	1.00	8.45
CD105NP-101K□	101K	100 $\pm$ 10%	0.35	0.97	7.64
CD105NP-121K□	121K	120 $\pm$ 10%	0.40	0.89	6.65
CD105NP-151K□	151K	150 $\pm$ 10%	0.47	0.78	5.86
CD105NP-181K□	181K	180 $\pm$ 10%	0.63	0.72	5.71
CD105NP-221K□	221K	220 $\pm$ 10%	0.73	0.66	5.25
CD105NP-271K□	271K	270 $\pm$ 10%	0.97	0.57	4.62
CD105NP-331K□	331K	330 $\pm$ 10%	1.15	0.52	4.07
CD105NP-391K□	391K	390 $\pm$ 10%	1.30	0.48	3.91
CD105NP-471K□	471K	470 $\pm$ 10%	1.48	0.42	3.61
CD105NP-561K□	561K	560 $\pm$ 10%	1.90	0.33	3.25
CD105NP-681K□	681K	680 $\pm$ 10%	2.25	0.28	2.96
CD105NP-821K□	821K	820 $\pm$ 10%	2.55	0.24	2.74

**※ Description of part Name**

CD105NP-100M□  
└─ B: Box  
└─ C: Carrier Tape

※1: Measuring Frequency: 10  $\mu$  H  $\sim$  82  $\mu$  H ; at 2.52 MHz.  
 100  $\mu$  H  $\sim$  820  $\mu$  H ; at 1 kHz.

※2: Rated current: The DC current at which the inductance decreases to 90 % of it's initial value or when  $\Delta t=40^{\circ}\text{C}$ , whichever is lower ( $T_a=20^{\circ}\text{C}$ ).

**Type: CD105, CD105B**
**◆ Specification(CD105B)**

Part Name ※	Stamp	Inductance [Within] ( $\mu$ H)※1	D.C.R. ( $\Omega$ ) [Max.] (at 20°C)	Rated Current (A)※2		S.R.F. (MHz) [Ref.]
				(at 20°C)	(at 105°C)	
CD105BNP-100M□	100M	10 $\pm$ 20%	0.06	2.60	1.92	25.1
CD105BNP-120M□	120M	12 $\pm$ 20%	0.07	2.45	1.44	23.1
CD105BNP-150M□	150M	15 $\pm$ 20%	0.08	2.27	1.36	19.1
CD105BNP-180M□	180M	18 $\pm$ 20%	0.09	2.15	1.29	18.1
CD105BNP-220M□	220M	22 $\pm$ 20%	0.10	1.95	1.24	15.9
CD105BNP-270M□	270M	27 $\pm$ 20%	0.11	1.76	1.20	14.0
CD105BNP-330M□	330M	33 $\pm$ 20%	0.12	1.50	1.04	13.1
CD105BNP-390M□	390M	39 $\pm$ 20%	0.14	1.37	1.00	12.2
CD105BNP-470K□	470K	47 $\pm$ 10%	0.17	1.28	0.88	10.6
CD105BNP-560K□	560K	56 $\pm$ 10%	0.19	1.17	0.80	10.2
CD105BNP-680K□	680K	68 $\pm$ 10%	0.22	1.11	0.71	9.26
CD105BNP-820K□	820K	82 $\pm$ 10%	0.25	1.00	0.66	8.45
CD105BNP-101K□	101K	100 $\pm$ 10%	0.35	0.97	0.63	7.64
CD105BNP-121K□	121K	120 $\pm$ 10%	0.40	0.89	0.53	6.65
CD105BNP-151K□	151K	150 $\pm$ 10%	0.47	0.78	0.47	5.86
CD105BNP-181K□	181K	180 $\pm$ 10%	0.63	0.72	0.43	5.71
CD105BNP-221K□	221K	220 $\pm$ 10%	0.73	0.66	0.40	5.25
CD105BNP-271K□	271K	270 $\pm$ 10%	0.97	0.57	0.35	4.62
CD105BNP-331K□	331K	330 $\pm$ 10%	1.15	0.52	0.33	4.07
CD105BNP-391K□	391K	390 $\pm$ 10%	1.30	0.48	0.32	3.91
CD105BNP-471K□	471K	470 $\pm$ 10%	1.48	0.42	0.30	3.61
CD105BNP-561K□	561K	560 $\pm$ 10%	1.90	0.33	0.29	3.25
CD105BNP-681K□	681K	680 $\pm$ 10%	2.25	0.28	0.24	2.96
CD105BNP-821K□	821K	820 $\pm$ 10%	2.55	0.24	0.22	2.74

**※ Description of part Name**

CD105BNP-100M□  
 └─ B: Box  
 └─ C: Carrier Tape

※1: Measuring Frequency: 10  $\mu$  H  $\sim$  82  $\mu$  H ; at 2.52 MHz.  
 100  $\mu$  H  $\sim$  820  $\mu$  H ; at 1 kHz.

※2: Rated current: The DC current at which the inductance decreases to 90 % of it's initial value or when  $\Delta t=40^{\circ}\text{C}$ , whichever is lower ( $T_a=20^{\circ}\text{C}$ ).