

THIS DRAWING IS UNPUBLISHED.

RELEASED FOR PUBLICATION

2012

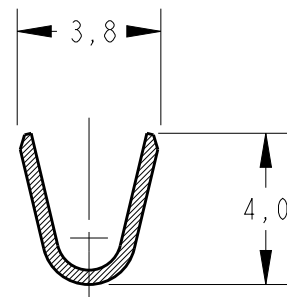
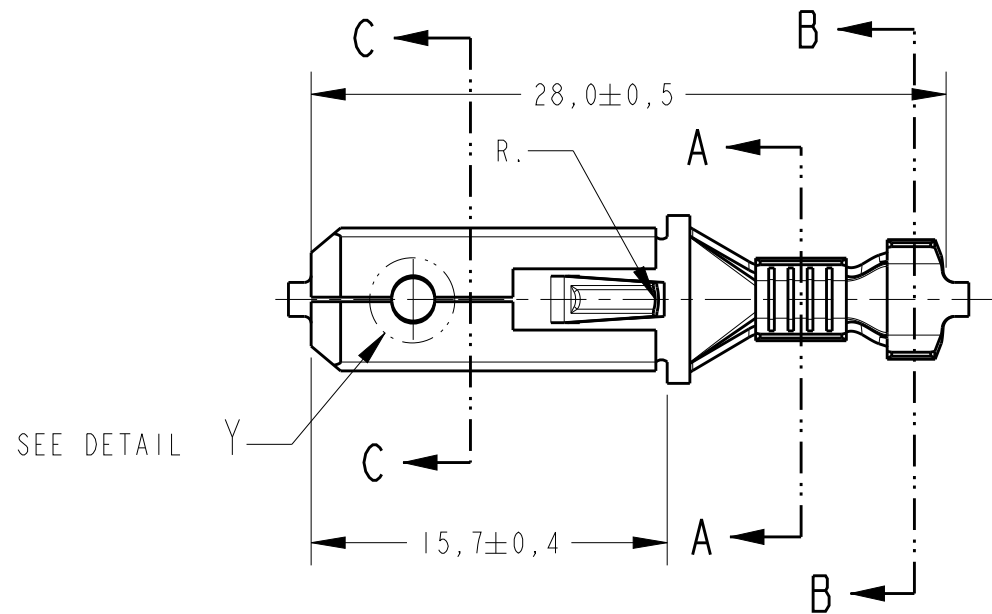
© COPYRIGHT 2012 BY TE CONNECTIVITY

ALL RIGHTS RESERVED.

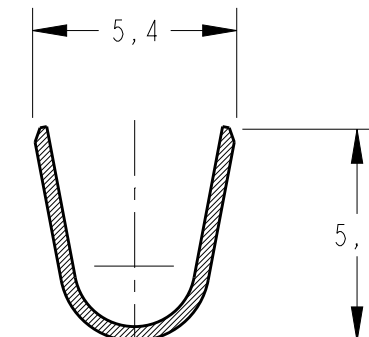
LOC AP DIST -

REVISIONS

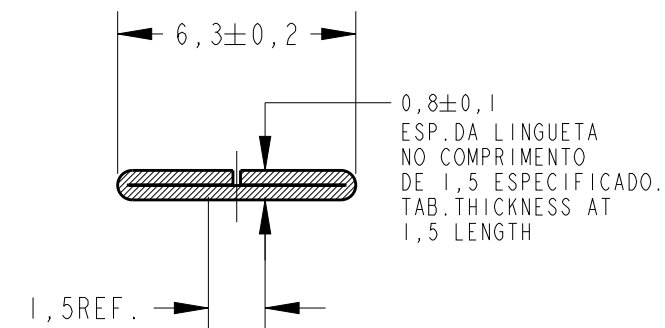
P	LTR	DESCRIPTION	DATE	DWN	APVD
G4		REDRAW BY CAD ECO-12-014149	20AUG2012	NCL	DAO
G5		REVISED BY ECO 16-003723	29JUN2016	HC	WLS



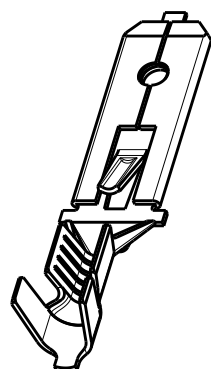
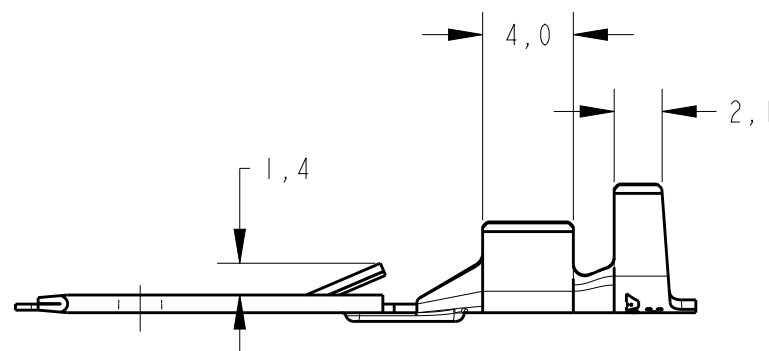
SECTION A-A SCALE 5:1



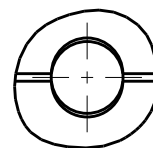
SECTION B-B SCALE 5:1



SECTION C-C SCALE 5:1



PERSPECTIVE VIEW SCALE 2:1



DETAIL Y SCALE 5:1 CONSTRUÇÃO OPCIONAL OPTIONAL CONSTRUCTION

INS. RANGE	WIRE RANGE	LOOSE PIECE	FINISH	MATERIAL	PART NUMBER
Ø 2, 7-3, 7mm	1, 0-2, 5mm ²				
OBSOLETE	880654 - 8	PRATEADO/SILVER PLATED	BRONZE FOSF./PHOSP BRONZE	880636 - 8	
OBSOLETE	880654 - 7	PRATEADO/SILVER PLATED	LATÃO / BRASS	880636 - 7	
OBSOLETE	880654 - 6	PRÉ ESTANHADO/PRE-TIN	BRONZE FOSF./PHOSP BRONZE	880636 - 6	
OBSOLETE	880654 - 5	PRÉ ESTANHADO/PRE-TIN	LATÃO / BRASS	880636 - 5	
OBSOLETE	880654 - 4	ESTANHADO/ELECTRO-TIN	BRONZE FOSF./PHOSP BRONZE	880636 - 4	
OBSOLETE	880654 - 3		BRONZE FOSF./PHOSP BRONZE	880636 - 3	
	880654 - 2	ESTANHADO/ELECTRO-TIN	LATÃO / BRASS	880636 - 2	
	880654 - 1		LATÃO / BRASS	880636 - 1	

THIS DRAWING IS A CONTROLLED DOCUMENT.		DWN NCLAPRESA 13JUL2012	STE TE Connectivity	
DIMENSIONS: mm		CHK JRGOLDSCHMIDT 13JUL2012		
TOLERANCES UNLESS OTHERWISE SPECIFIED:		APVD DAOLIVEIRA 13JUL2012	NAME -	
0 PLC ±-		PRODUCT SPEC -	- TERMINAL FASTIN-FASTON .250 TAB	
1 PLC ±0,3		APPLICATION SPEC -	SIZE A3	CAGE CODE 00779
2 PLC ±-		WEIGHT -	DRAWING NO C=880636	RESTRICTED TO -
3 PLC ±-			SCALE 3:1	SHEET 1 OF 1
4 PLC ±-			Customer Drawing	REV G5
ANGLES ±°				
FINISH SEE TABLE				