

# CAT3626

## LED Driver, Charge Pump, 6-Channel, I<sup>2</sup>C™ Interface

### Description

The CAT3626 is a high efficiency 1x/1.5x fractional charge pump with programmable dimming current in six LED channels. To ensure uniform brightness in LCD backlight applications, each LED channel delivers an accurate regulated current.

Low noise and input ripple is achieved by operating at a constant switching frequency of 1 MHz which allows the use of small external ceramic capacitors. The 1x/1.5x fractional charge pump supports a wide range of input voltages from 3 V to 5.5 V with efficiency up to 91%, and is ideal for Li-Ion battery powered devices.

The LED channels are configured into three independent pairs, each containing 2 matched channels. Each pair can be separately programmed from zero to 32 mA, in 0.5 mA resolution steps, using the I<sup>2</sup>C serial interface. Any individual channel can be disabled while others remain active. When the enable input (EN) is low, the device is in shutdown mode drawing zero current.

The device is available in a 16-pad TQFN package with a max height of 0.8 mm.

### Features

- Drives 6 LED Channels
- Independent Current on 3 Pairs of LEDs
- I<sup>2</sup>C Serial Interface Programming
- Adjustable Current to 32 mA in 0.5 mA Step
- Power Efficiency up to 91%
- Fractional Pump 1x/1.5x
- Low Noise Input Ripple
- Fixed High Frequency Operation 1 MHz
- “Zero” Current Shutdown Mode
- Soft Start and Current Limiting
- Short Circuit Protection
- Thermal Shutdown Protection
- These Devices are Pb-Free, Halogen Free/BFR Free and are RoHS Compliant

### Applications

- RGB LEDs
- LCD and Keypad Backlighting
- Cellular Phones, PDAs
- Digital Cameras



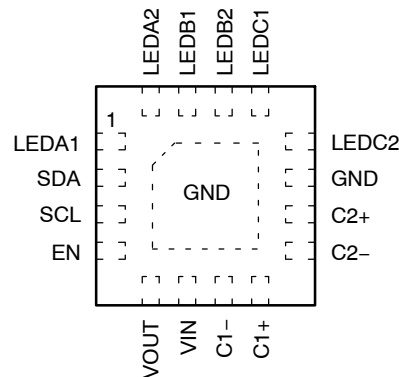
ON Semiconductor®

<http://onsemi.com>



TQFN-16  
HV4 SUFFIX  
CASE 510AE

### PIN CONNECTIONS



(4 x 4 mm) (Top View)

### MARKING DIAGRAMS



G626 = CAT3626HV4-T2  
CDAJ = CAT3626HV4-GT2  
A = Assembly Location  
XXX = Last Three Digits of Assembly Lot Number  
Y = Production Year (Last Digit)  
M = Production Month (1-9, A, B, C)  
CC = Country of Origin (Two Digit)

### ORDERING INFORMATION

| Device                     | Package              | Shipping              |
|----------------------------|----------------------|-----------------------|
| CAT3626HV4-T2<br>(Note 1)  | TQFN-16<br>(Pb-Free) | 2,000/<br>Tape & Reel |
| CAT3626HV4-GT2<br>(Note 2) | TQFN-16<br>(Pb-Free) |                       |

1. Matte-Tin Plated Finish (RoHS-compliant).
2. NiPdAu Plated Finish (RoHS-compliant).

# CAT3626

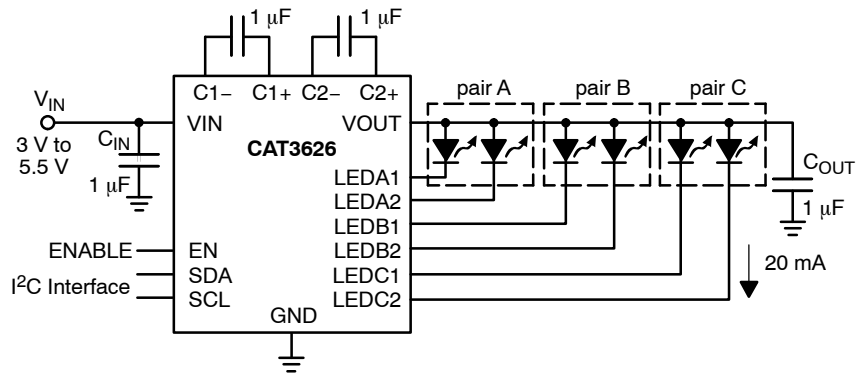


Figure 1. Typical Application Circuit

Table 1. ABSOLUTE MAXIMUM RATINGS

| Parameters                 | Ratings     | Units |
|----------------------------|-------------|-------|
| VIN, LEDxx voltage         | 6           | V     |
| VOUT, C1±, C2± voltage     | 7           | V     |
| EN, SDA, SCL voltage       | VIN + 0.7 V | V     |
| Storage Temperature Range  | -65 to +160 | °C    |
| Junction Temperature Range | -40 to +150 | °C    |
| Lead Temperature           | 300         | °C    |

Stresses exceeding Maximum Ratings may damage the device. Maximum Ratings are stress ratings only. Functional operation above the Recommended Operating Conditions is not implied. Extended exposure to stresses above the Recommended Operating Conditions may affect device reliability.

Table 2. RECOMMENDED OPERATING CONDITIONS

| Parameter                 | Range      | Units |
|---------------------------|------------|-------|
| VIN                       | 3 to 5.5   | V     |
| Ambient Temperature Range | -40 to +85 | °C    |
| LED forward voltage       | Up to 4.2  | V     |
| ILED per LED pin          | 0 to 32    | mA    |

NOTE: Typical application circuit with external components is shown above.

# CAT3626

**Table 3. ELECTRICAL OPERATING CHARACTERISTICS**

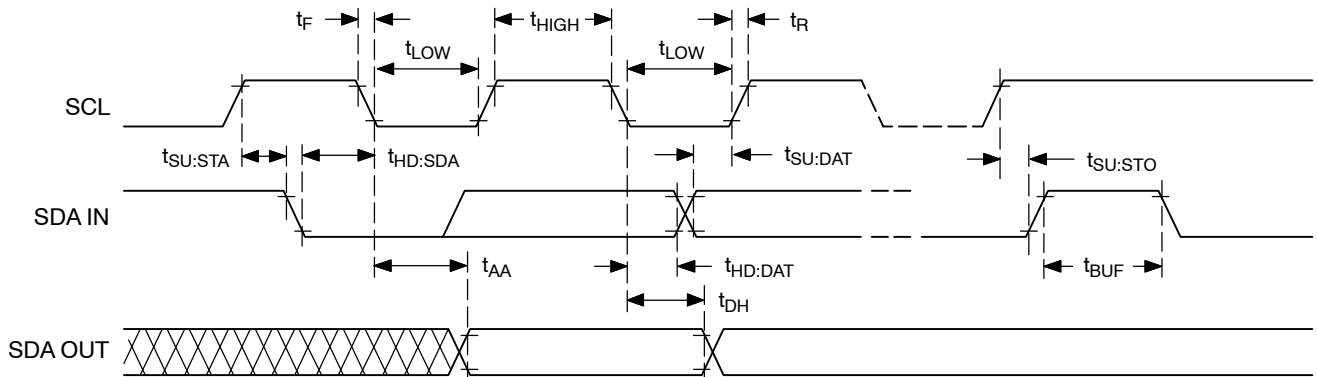
$V_{IN} = 3.6\text{ V}$ , EN = High, ambient temperature of 25°C (over recommended operating conditions unless specified otherwise)

| Symbol                                 | Parameter  | Test Conditions  | Min                 | Typ               | Max                 | Units                   |
|--|--|--|---------------------|-------------------|---------------------|-------------------------|
| $I_Q$                                  | Quiescent Current  | 1x mode, all LEDs Off<br>1x mode, all LEDs On<br>1.5x mode, all LEDs Off   |                     | 0.5<br>2.2<br>3.5 |                     | mA                      |
| $I_{QSHDN}$                            | Shutdown Current   | $V_{EN} = 0\text{ V}$  |                     | 0                 | 1                   | $\mu\text{A}$           |
| $I_{LED}$                              | LED Current Range with 6 LEDs  |  | 0                   |                   | 32                  | mA                      |
| $I_{LED-ACC}$                          | LED Current Accuracy   | $1\text{ mA} \leq I_{LED} \leq 31\text{ mA}$                               |                     | $\pm 3$           |                     | %                       |
| $I_{LED-DEV}$                          | LED Channel Matching   | $(I_{LED} - I_{LEDAVG}) / I_{LEDAVG}$                                      |                     | $\pm 3$           |                     | %                       |
| $R_{OUT}$                              | Output Resistance (open loop)  | 1x mode, $I_{OUT} = 120\text{ mA}$<br>1.5x mode, $I_{OUT} = 120\text{ mA}$ |                     | 0.5<br>2.8        |                     | $\Omega$                |
| $F_{OSC}$                              | Charge Pump Frequency  |  | 0.8                 | 1                 | 1.3                 | MHz                     |
| $I_{SC\_MAX}$                          | Output short circuit Current Limit   | $V_{OUT} < 0.5\text{ V}$   |                     | 60                |                     | mA                      |
| $I_{IN\_MAX}$                          | Input Current Limit  | 1x mode, $V_{OUT} > 1\text{ V}$  |                     | 300               |                     | mA                      |
| $I_{EN}$<br>$V_{HI-EN}$<br>$V_{LO-EN}$ | EN Pin<br>- Input Leakage<br>- Logic High Level<br>- Logic Low Level                 |  | -1<br>1.3           |                   | 1<br>0.4            | $\mu\text{A}$<br>V<br>V |
| $V_{HI}$<br>$V_{LO}$                   | I <sup>2</sup> C SDA, SCL<br>- High Level Input Voltage<br>- Low Level Input Voltage |  | $0.7 \times V_{IN}$ |                   | $0.3 \times V_{IN}$ | V<br>V                  |
| $T_{SD}$                               | Thermal Shutdown   |  |                     | 165               |                     | °C                      |
| $T_{HYS}$                              | Thermal Hysteresis   |  |                     | 20                |                     | °C                      |
| $V_{UVLO}$                             | Under-voltage lock out (UVLO) threshold  |  |                     | 2                 |                     | V                       |

# CAT3626

**Table 4. A.C. CHARACTERISTICS** For  $3\text{ V} \leq V_{\text{IN}} \leq 5.5\text{ V}$ , over full ambient temperature range  $-40^{\circ}\text{C}$  to  $+125^{\circ}\text{C}$  (over recommended operating conditions unless specified otherwise).

| Symbol              | Parameter   | Min | Typ | Max | Unit          |
|---------------------|---|-----|-----|-----|---------------|
| $f_{\text{SCL}}$    | Clock Frequency                                       |     |     | 400 | kHz           |
| $t_{\text{AA}}$     | SCL Low to SDA Data Out and ACK Out                   |     |     | 0.9 | $\mu\text{s}$ |
| $t_{\text{BUF}}$    | Bus Free Time Before a New Transmission Can Start     | 1.2 |     |     | $\mu\text{s}$ |
| $t_{\text{HD:STA}}$ | Start Condition Hold Time                             | 0.6 |     |     | $\mu\text{s}$ |
| $t_{\text{LOW}}$    | Clock Low Period                                      | 1.2 |     |     | $\mu\text{s}$ |
| $t_{\text{HIGH}}$   | Clock High Period                                     | 0.6 |     |     | $\mu\text{s}$ |
| $t_{\text{SU:STA}}$ | Start Condition Setup Time (For a Repeated Condition) | 0.6 |     |     | $\mu\text{s}$ |
| $t_{\text{HD:DAT}}$ | Data In Hold Time                                     | 0   |     |     | ns            |
| $t_{\text{SU:DAT}}$ | Data In Setup Time                                    | 100 |     |     | ns            |
| $t_{\text{R}}$      | SDA and SCL Rise Time                                 |     |     | 0.3 | $\mu\text{s}$ |
| $t_{\text{F}}$      | SDA and SCL Fall Time                                 |     |     | 300 | ns            |
| $t_{\text{SU:STO}}$ | Stop Condition Setup Time                             | 0.6 |     |     | $\mu\text{s}$ |
| $t_{\text{DH}}$     | Data Out Hold Time                                    | 50  |     |     | ns            |



**Figure 2. I<sup>2</sup>C Bus Timing Characteristics**

TYPICAL CHARACTERISTICS

( $V_{IN} = 3.6\text{ V}$ ,  $I_{OUT} = 90\text{ mA}$  (6 LEDs at 15 mA),  $EN = V_{IN}$ ,  $C_{IN} = C_1 = C_2 = C_{OUT} = 1\ \mu\text{F}$ ,  $T_{AMB} = 25^\circ\text{C}$ , unless otherwise specified.)

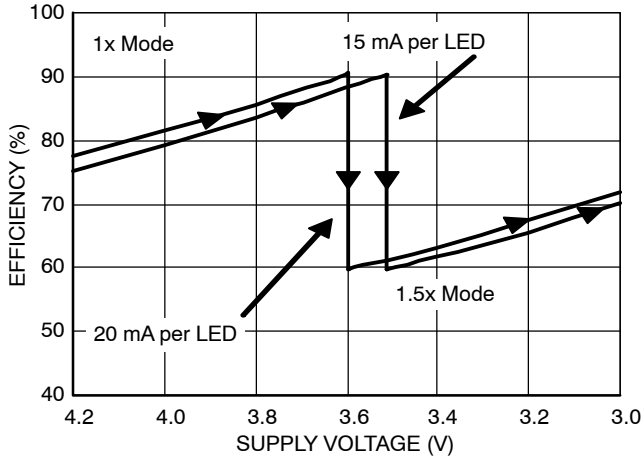


Figure 3. Efficiency vs. Supply Voltage (6 LEDs)

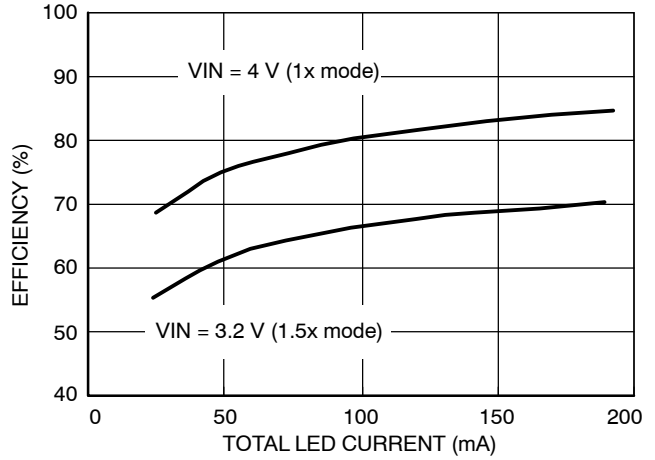


Figure 4. Efficiency vs. Total LED Current (6 LEDs)

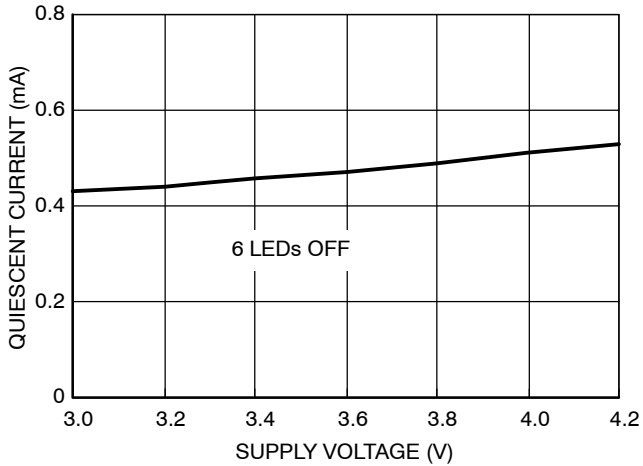


Figure 5. Quiescent Current vs. Supply Voltage (1x Mode)

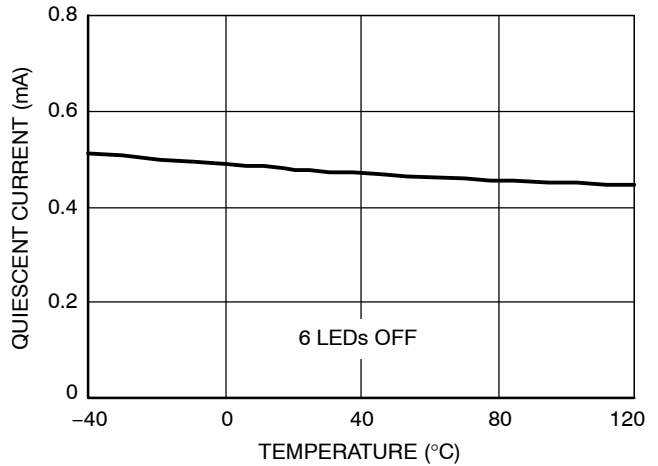


Figure 6. Quiescent Current vs. Temperature (1x Mode)

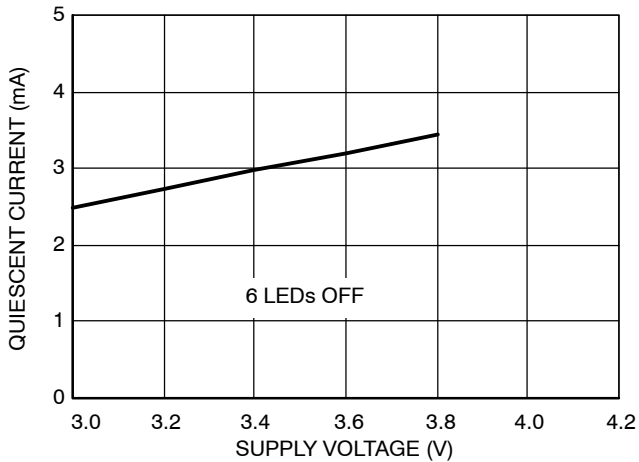


Figure 7. Quiescent Current vs. Supply Voltage (1.5x Mode)

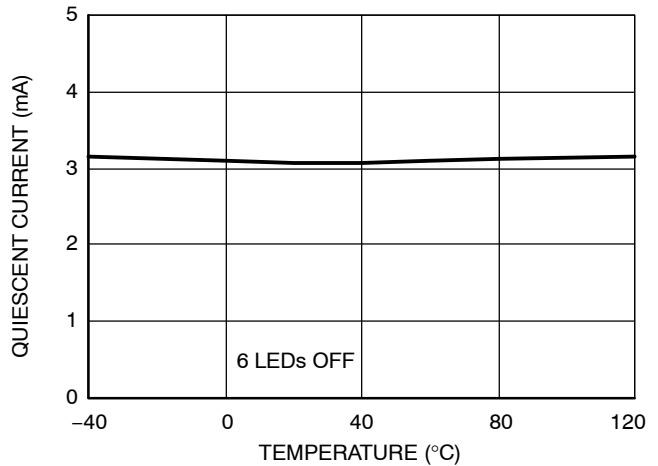


Figure 8. Quiescent Current vs. Temperature (1.5x Mode)

# CAT3626

## TYPICAL CHARACTERISTICS

( $V_{IN} = 3.6\text{ V}$ ,  $I_{OUT} = 90\text{ mA}$  (6 LEDs at 15 mA),  $EN = V_{IN}$ ,  $C_{IN} = C_1 = C_2 = C_{OUT} = 1\text{ }\mu\text{F}$ ,  $T_{AMB} = 25^\circ\text{C}$ , unless otherwise specified.)

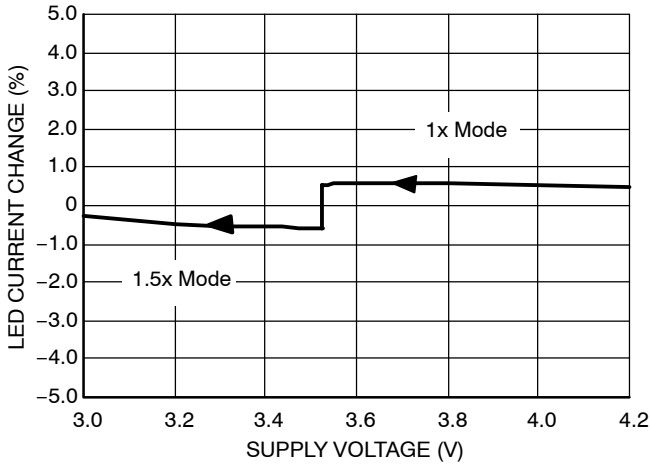


Figure 9. LED Current Change vs. Supply Voltage

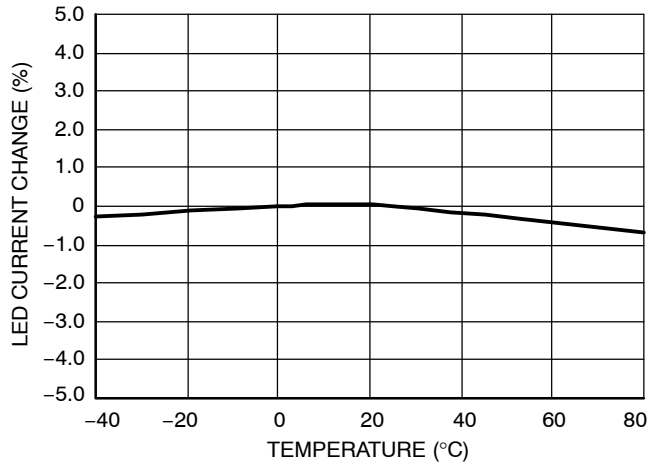


Figure 10. LED Current Change vs. Temperature

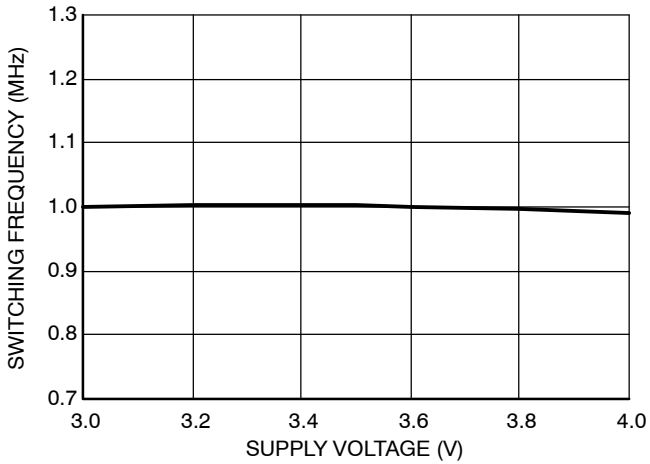


Figure 11. Switching Frequency vs. Supply Voltage

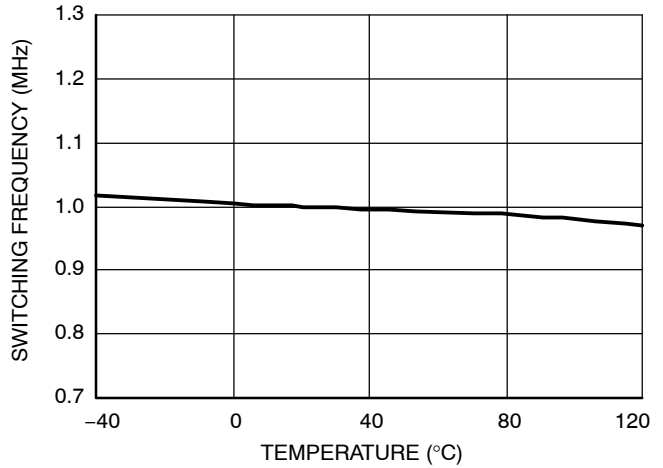


Figure 12. Switching Frequency vs. Temperature

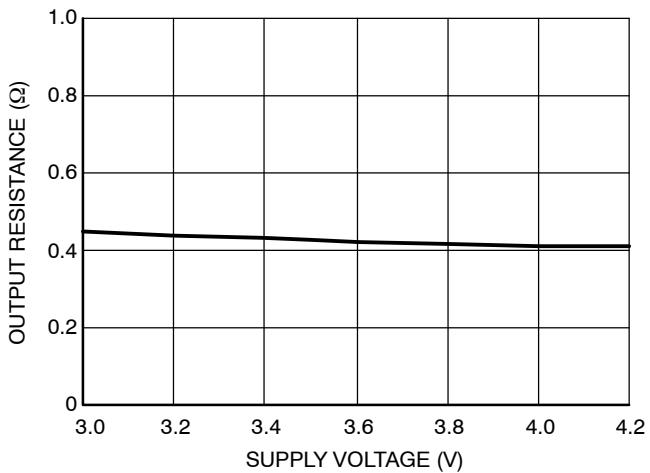


Figure 13. Output Resistance vs. Supply Voltage (1x Mode)

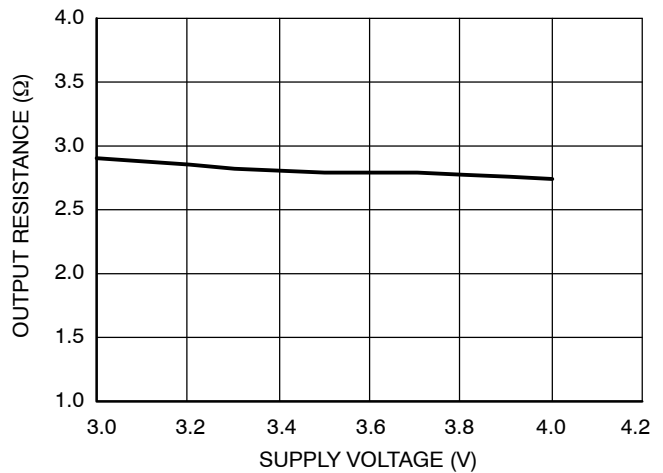


Figure 14. Output Resistance vs. Supply Voltage (1.5x Mode)

# CAT3626

## TYPICAL CHARACTERISTICS

( $V_{IN} = 3.6\text{ V}$ ,  $I_{OUT} = 90\text{ mA}$  (6 LEDs at 15 mA),  $EN = V_{IN}$ ,  $C_{IN} = C_1 = C_2 = C_{OUT} = 1\text{ }\mu\text{F}$ ,  $T_{AMB} = 25^\circ\text{C}$ , unless otherwise specified.)

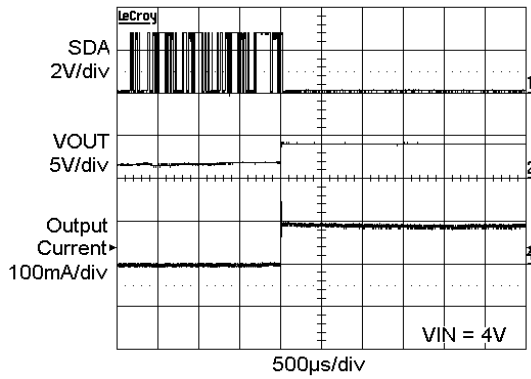


Figure 15. Power Up with 6 LEDs at 15 mA (1x Mode)

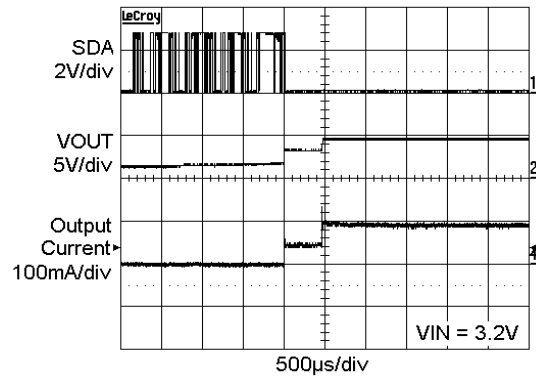


Figure 16. Power Up with 6 LEDs at 15 mA (1.5x Mode)

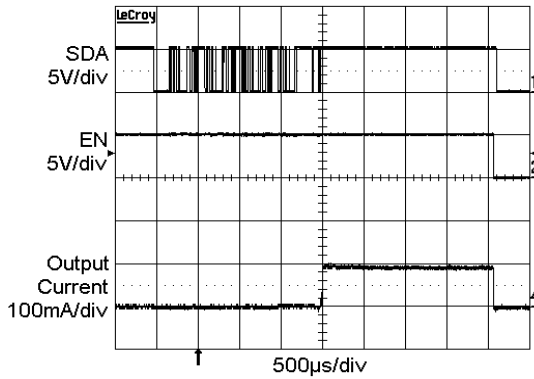


Figure 17. Enable Power Down (1x Mode)

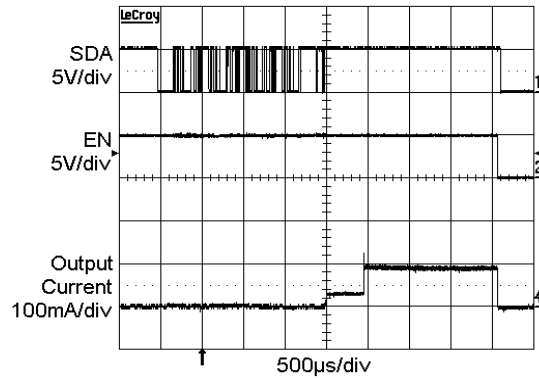


Figure 18. Enable Power Down (1.5x Mode)

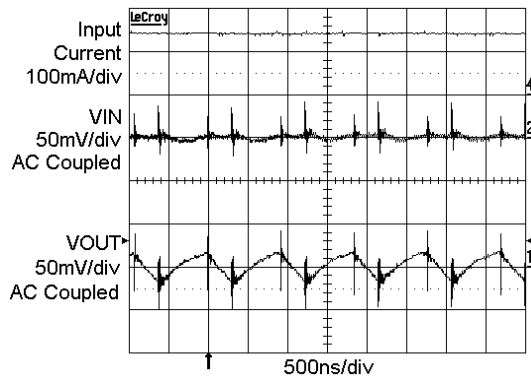


Figure 19. Switching Waveforms in 1.5x Mode

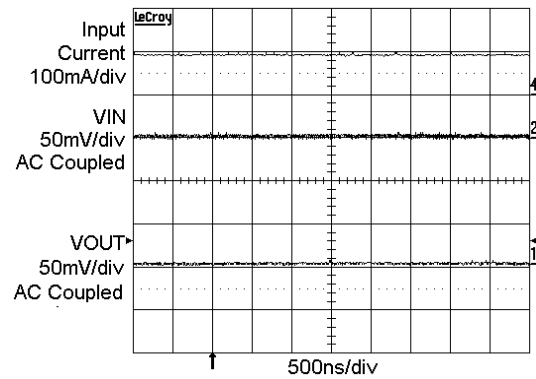


Figure 20. Operating Waveforms in 1x Mode

TYPICAL CHARACTERISTICS

( $V_{IN} = 3.6\text{ V}$ ,  $I_{OUT} = 90\text{ mA}$  (6 LEDs at 15 mA),  $EN = V_{IN}$ ,  $C_{IN} = C_1 = C_2 = C_{OUT} = 1\text{ }\mu\text{F}$ ,  $T_{AMB} = 25^\circ\text{C}$ , unless otherwise specified.)

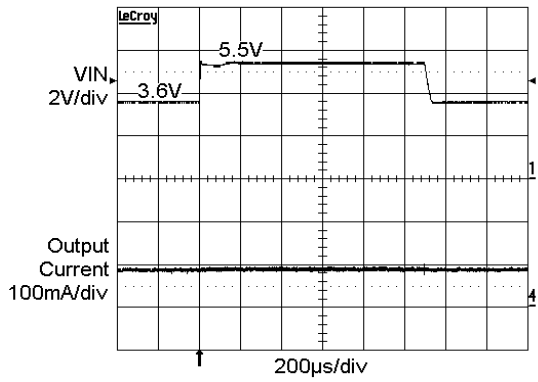


Figure 21. Line Transient Response in 1x Mode

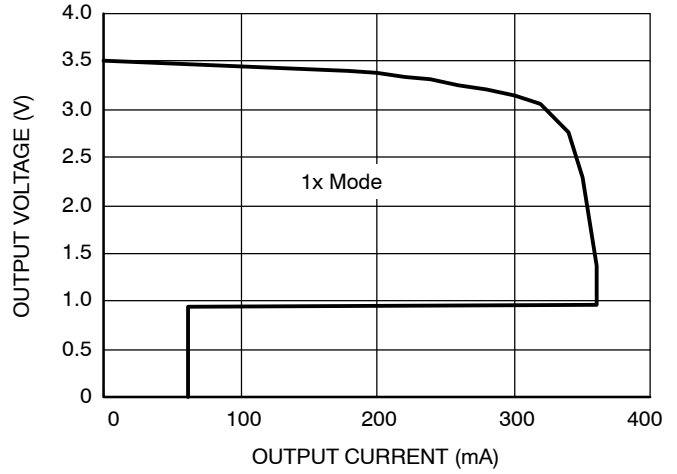


Figure 22. Foldback Current Limit

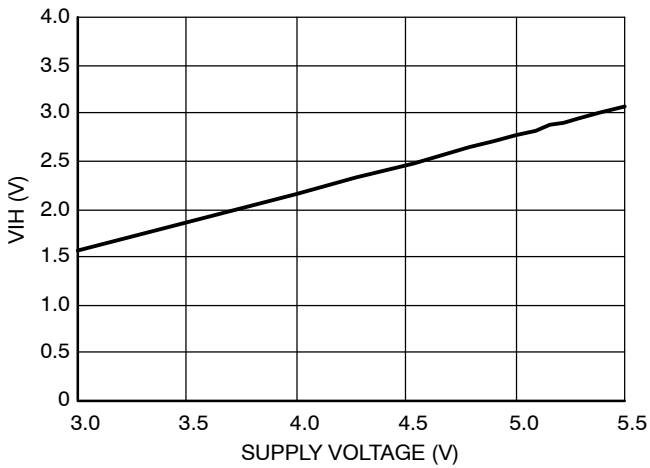


Figure 23. SDA, SCL  $V_{IH}$  vs. Supply Voltage

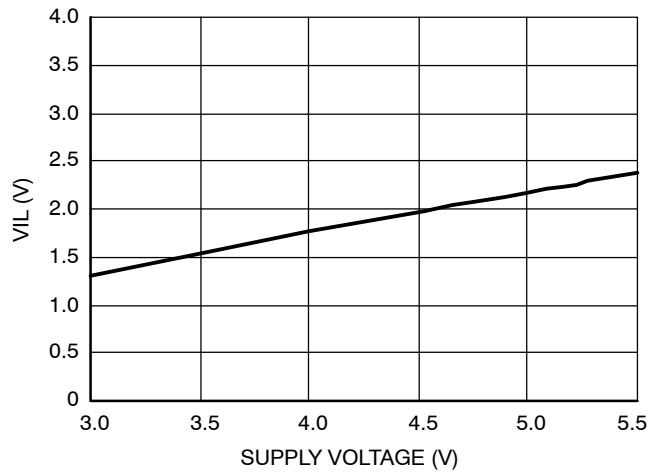


Figure 24. SDA, SCL  $V_{IL}$  vs. Supply Voltage



Table 5. PIN DESCRIPTIONS

| Pin # | Name  | Function                                       |
|-------|-------|--|
| 1     | LEDA1 | Cathode terminal of LED A1                     |
| 2     | SDA   | I <sup>2</sup> C Serial data input/output      |
| 3     | SCL   | I <sup>2</sup> C Serial clock input            |
| 4     | EN    | Enable input                                   |
| 5     | VOUT  | Charge pump output connected to the LED anodes |
| 6     | VIN   | Supply voltage                                 |
| 7     | C1-   | Bucket capacitor 1 terminal                    |
| 8     | C1+   | Bucket capacitor 1 terminal                    |
| 9     | C2-   | Bucket capacitor 2 terminal                    |
| 10    | C2+   | Bucket capacitor 2 terminal                    |
| 11    | GND   | Ground reference                               |
| 12    | LEDC2 | Cathode terminal of LED C2                     |
| 13    | LEDC1 | Cathode terminal of LED C1                     |
| 14    | LEDB2 | Cathode terminal of LED B2                     |
| 15    | LEDB1 | Cathode terminal of LED B1                     |
| 16    | LEDA2 | Cathode terminal of LED A2                     |
|       | TAB   | Connect to Ground on PCB                       |

### Pin Function

**VIN** is the supply pin for the charge pump. A small 1  $\mu$ F ceramic bypass capacitor is required between the VIN pin and ground near the device. The operating input voltage range is from 2.2 V to 5.5 V. Whenever the input supply falls below the undervoltage threshold (2 V), all LEDs channels will be automatically disabled.

**EN** is the enable logic input for the driver. Guaranteed levels of logic high and logic low are set at 1.3 V and 0.4 V respectively. When EN is initially taken high, the device becomes enabled and all LED currents remain at 0 mA. To place the device into zero current shutdown mode, the EN pin must be held low.

**SDA** is the I<sup>2</sup>C serial data line. This is a bidirectional line allowing data to be written into and read from the four registers in the driver. Registers RegA/B/C set the LED current in each pair of channels, while RegEn sets the On/Off state independently of each channel.

**SCL** is the I<sup>2</sup>C serial clock input.

**VOUT** is the charge pump output that is connected to the LED anodes. A small 1  $\mu$ F ceramic bypass capacitor is required between the VOUT pin and ground near the device.

**GND** is the ground reference for the charge pump. The pin must be connected to the ground plane on the PCB.

**C1+, C1-** are connected to each side of the 1  $\mu$ F ceramic bucket capacitor C1.

**C2+, C2-** are connected to each side of the 1  $\mu$ F ceramic bucket capacitor C2.

**LEDxx** provide the internally regulated current to the six LED cathodes. These pins enter a high-impedance zero-current state whenever the device is placed in shutdown mode. In applications using less than six LEDs, the unused channels should be disabled through the RegEn register.

**TAB** is the exposed pad underneath the package. For best thermal performance, the tab should be soldered to the PCB and connected to the ground plane.

Block Diagram

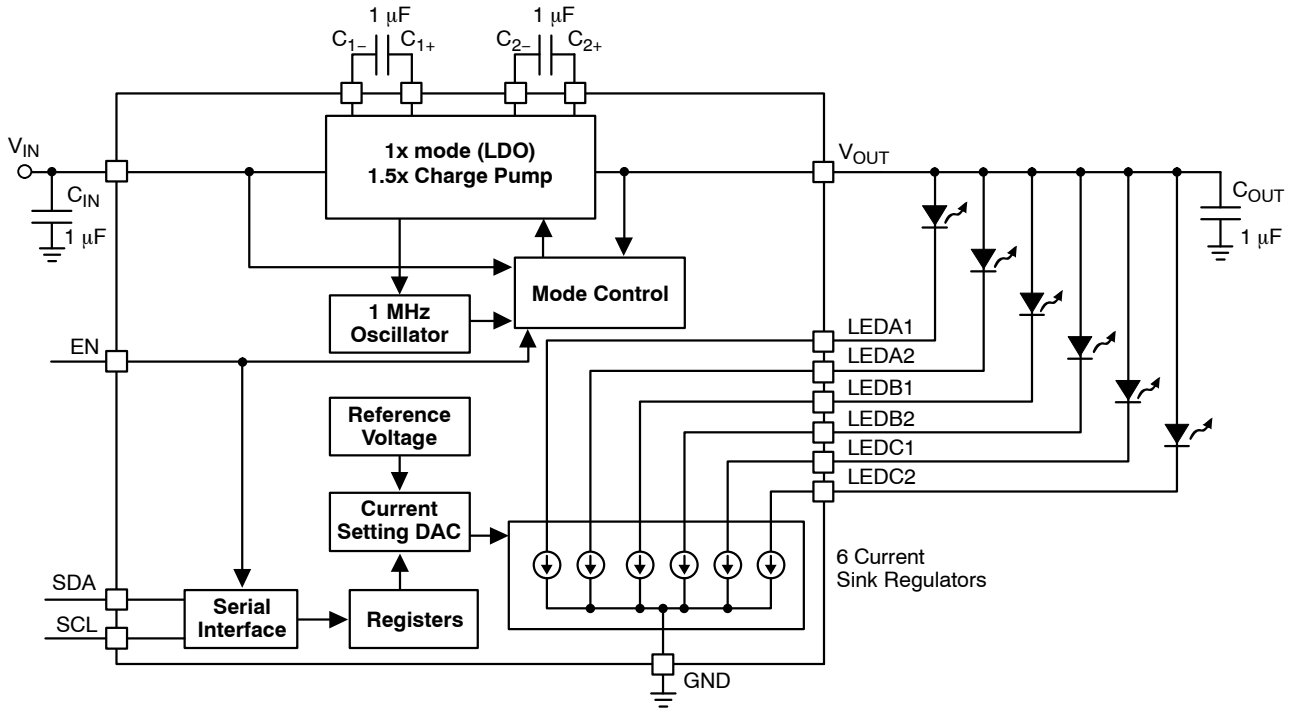


Figure 25. CAT3626 Functional Block Diagram

Basic Operation

At power-up, the CAT3626 starts operating in 1x mode where the output will be approximately equal to the input supply voltage (less any internal voltage losses). If the output voltage is sufficient to regulate all LEDs currents the device remains in 1x operating mode.

If the input voltage is insufficient or falls to a level where the regulated currents cannot be maintained, the device automatically switches (after a fixed time of 400 μs) into 1.5x mode.

In 1.5x mode, the output is approximately equal to 1.5 times the input supply voltage (less any internal voltage losses).

The above sequence is repeated each and every time the chip is either powered-up or taken out of shutdown (via EN pin), or the RegEn register is accessed by write cycle.

LED Current Setting

The LED current setting is programmed via the I<sup>2</sup>C serial interface and is stored in four 8-bit registers RegA, RegB, RegC and RegEn as follows:

- RegA stores the LED current for group A (LEDA1 and LEDA2 channels),
- RegB stores the LED current for group B (LEDB1 and LEDB2 channels),
- RegC stores the LED current for group C (LEDC1 and LEDC2 channels),
- RegEn selects the on/off state of each of the 6 LED channels.

At each write access to RegEn, the driver automatically reconfigures to the mode (1x or 1.5x) that provides the highest efficiency.

Table 6. REGISTER ADDRESS AND DATA CONFIGURATION (Note 3)

| Register Name | Register Address | Bit Pattern |       |                            |                            |                            |                            |                            |                            |
|---------------|------------------|-------------|-------|----------------------------|----------------------------|----------------------------|----------------------------|----------------------------|----------------------------|
|               |                  | Bit 7       | Bit 6 | Bit 5                      | Bit 4                      | Bit 3                      | Bit 2                      | Bit 1                      | Bit 0                      |
| RegA          | 0                | X           | X     | See Table 7 for values     |                            |                            |                            |                            |                            |
| RegB          | 1                | X           | X     |                            |                            |                            |                            |                            |                            |
| RegC          | 2                | X           | X     |                            |                            |                            |                            |                            |                            |
| RegEn         | 3                | X           | X     | LEDC2<br>On = 1<br>Off = 0 | LEDC1<br>On = 1<br>Off = 0 | LEDB2<br>On = 1<br>Off = 0 | LEDB1<br>On = 1<br>Off = 0 | LEDA2<br>On = 1<br>Off = 0 | LEDA1<br>On = 1<br>Off = 0 |

3. X = not used, 1 = logic high, 0 = logic low

# CAT3626

The Table 7 lists the various LED currents with the associated RegA, RegB, and RegC register values.

**Table 7. LED CURRENT SELECTION AND REGISTER VALUE** (Note 4)

| LED Current (mA) | D7 | D6 | D5 | D4 | D3 | D2 | D1 | D0 | Dec |
|------------------|----|----|----|----|----|----|----|----|-----|
| 0.5              | X  | X  | 0  | 0  | 0  | 0  | 0  | 0  | 0   |
| 1.0              | X  | X  | 0  | 0  | 0  | 0  | 0  | 1  | 1   |
| 1.5              | X  | X  | 0  | 0  | 0  | 0  | 1  | 0  | 2   |
| 2.0              | X  | X  | 0  | 0  | 0  | 0  | 1  | 1  | 3   |
| 2.5              | X  | X  | 0  | 0  | 0  | 1  | 0  | 0  | 4   |
| 3.0              | X  | X  | 0  | 0  | 0  | 1  | 0  | 1  | 5   |
| 3.5              | X  | X  | 0  | 0  | 0  | 1  | 1  | 0  | 6   |
| 4.0              | X  | X  | 0  | 0  | 0  | 1  | 1  | 1  | 7   |
| 4.5              | X  | X  | 0  | 0  | 1  | 0  | 0  | 0  | 8   |
| 5.0              | X  | X  | 0  | 0  | 1  | 0  | 0  | 1  | 9   |
| 5.5              | X  | X  | 0  | 0  | 1  | 0  | 1  | 0  | 10  |
| 6.0              | X  | X  | 0  | 0  | 1  | 0  | 1  | 1  | 11  |
| 6.5              | X  | X  | 0  | 0  | 1  | 1  | 0  | 0  | 12  |
| 7.0              | X  | X  | 0  | 0  | 1  | 1  | 0  | 1  | 13  |
| 7.5              | X  | X  | 0  | 0  | 1  | 1  | 1  | 0  | 14  |
| 8.0              | X  | X  | 0  | 0  | 1  | 1  | 1  | 1  | 15  |
| 8.5              | X  | X  | 0  | 1  | 0  | 0  | 0  | 0  | 16  |
| 9.0              | X  | X  | 0  | 1  | 0  | 0  | 0  | 1  | 17  |
| 9.5              | X  | X  | 0  | 1  | 0  | 0  | 1  | 0  | 18  |
| 10.0             | X  | X  | 0  | 1  | 0  | 0  | 1  | 1  | 19  |
| 10.5             | X  | X  | 0  | 1  | 0  | 1  | 0  | 0  | 20  |
| 11.0             | X  | X  | 0  | 1  | 0  | 1  | 0  | 1  | 21  |
| 11.5             | X  | X  | 0  | 1  | 0  | 1  | 1  | 0  | 22  |
| 12.0             | X  | X  | 0  | 1  | 0  | 1  | 1  | 1  | 23  |
| 12.5             | X  | X  | 0  | 1  | 1  | 0  | 0  | 0  | 24  |
| 13.0             | X  | X  | 0  | 1  | 1  | 0  | 0  | 1  | 25  |
| 13.5             | X  | X  | 0  | 1  | 1  | 0  | 1  | 0  | 26  |
| 14.0             | X  | X  | 0  | 1  | 1  | 0  | 1  | 1  | 27  |
| 14.5             | X  | X  | 0  | 1  | 1  | 1  | 0  | 0  | 28  |
| 15.0             | X  | X  | 0  | 1  | 1  | 1  | 0  | 1  | 29  |
| 15.5             | X  | X  | 0  | 1  | 1  | 1  | 1  | 0  | 30  |
| 16.0             | X  | X  | 0  | 1  | 1  | 1  | 1  | 1  | 31  |

| LED Current (mA) | D7 | D6 | D5 | D4 | D3 | D2 | D1 | D0 | Dec |
|------------------|----|----|----|----|----|----|----|----|-----|
| 16.5             | X  | X  | 1  | 0  | 0  | 0  | 0  | 0  | 32  |
| 17.0             | X  | X  | 1  | 0  | 0  | 0  | 0  | 1  | 33  |
| 17.5             | X  | X  | 1  | 0  | 0  | 0  | 1  | 0  | 34  |
| 18.0             | X  | X  | 1  | 0  | 0  | 0  | 1  | 1  | 35  |
| 18.5             | X  | X  | 1  | 0  | 0  | 1  | 0  | 0  | 36  |
| 19.0             | X  | X  | 1  | 0  | 0  | 1  | 0  | 1  | 37  |
| 19.5             | X  | X  | 1  | 0  | 0  | 1  | 1  | 0  | 38  |
| 20.0             | X  | X  | 1  | 0  | 0  | 1  | 1  | 1  | 39  |
| 20.5             | X  | X  | 1  | 0  | 1  | 0  | 0  | 0  | 40  |
| 21.0             | X  | X  | 1  | 0  | 1  | 0  | 0  | 1  | 41  |
| 21.5             | X  | X  | 1  | 0  | 1  | 0  | 1  | 0  | 42  |
| 22.0             | X  | X  | 1  | 0  | 1  | 0  | 1  | 1  | 43  |
| 22.5             | X  | X  | 1  | 0  | 1  | 1  | 0  | 0  | 44  |
| 23.0             | X  | X  | 1  | 0  | 1  | 1  | 0  | 1  | 45  |
| 23.5             | X  | X  | 1  | 0  | 1  | 1  | 1  | 0  | 46  |
| 24.0             | X  | X  | 1  | 0  | 1  | 1  | 1  | 1  | 47  |
| 24.5             | X  | X  | 1  | 1  | 0  | 0  | 0  | 0  | 48  |
| 25.0             | X  | X  | 1  | 1  | 0  | 0  | 0  | 1  | 49  |
| 25.5             | X  | X  | 1  | 1  | 0  | 0  | 1  | 0  | 50  |
| 26.0             | X  | X  | 1  | 1  | 0  | 0  | 1  | 1  | 51  |
| 26.5             | X  | X  | 1  | 1  | 0  | 1  | 0  | 0  | 52  |
| 27.0             | X  | X  | 1  | 1  | 0  | 1  | 0  | 1  | 53  |
| 27.5             | X  | X  | 1  | 1  | 0  | 1  | 1  | 0  | 54  |
| 28.0             | X  | X  | 1  | 1  | 0  | 1  | 1  | 1  | 55  |
| 28.5             | X  | X  | 1  | 1  | 1  | 0  | 0  | 0  | 56  |
| 29.0             | X  | X  | 1  | 1  | 1  | 0  | 0  | 1  | 57  |
| 29.5             | X  | X  | 1  | 1  | 1  | 0  | 1  | 0  | 58  |
| 30.0             | X  | X  | 1  | 1  | 1  | 0  | 1  | 1  | 59  |
| 30.5             | X  | X  | 1  | 1  | 1  | 1  | 0  | 0  | 60  |
| 31.0             | X  | X  | 1  | 1  | 1  | 1  | 0  | 1  | 61  |
| 31.5             | X  | X  | 1  | 1  | 1  | 1  | 1  | 0  | 62  |
| 32.0             | X  | X  | 1  | 1  | 1  | 1  | 1  | 1  | 63  |

4. X = not used, 1 = logic high, 0 = logic low

**I<sup>2</sup>C Interface**

The LED driver is interfaced through a 2-wire serial I<sup>2</sup>C-bus in order to control the state and the current in each of the six LED channels. The SDA and SCL lines comply with the I<sup>2</sup>C electrical specification and should be terminated with pull-up resistors. When the bus is not used, both lines are high. The device supports the maximum bus speed of 400 kbit/s. The serial bit sequence is shown below

for read and write operations into the registers. Read and write instructions are initiated by the master controller/CPU and acknowledged by the slave LED driver. The I<sup>2</sup>C address of the driver is internally fixed to the binary value 1100110. The protocol requires that the start bit and the device address are both repeated. For further details on the I<sup>2</sup>C protocol, please refer to the I<sup>2</sup>C-Bus Specification, document number 9398 393 40011, from Philips Semiconductors.

- Read operation:

|   |               |   |   |                  |   |   |               |   |   |      |    |   |
|---|---------------|---|---|------------------|---|---|---------------|---|---|------|----|---|
| S | Slave address | W | A | Register address | A | S | Slave address | R | A | Data | A* | P |
|---|---------------|---|---|------------------|---|---|---------------|---|---|------|----|---|

- Write operation:

|   |               |   |   |                  |   |      |   |   |
|---|---------------|---|---|------------------|---|------|---|---|
| S | Slave address | W | A | Register address | A | Data | A | P |
|---|---------------|---|---|------------------|---|------|---|---|

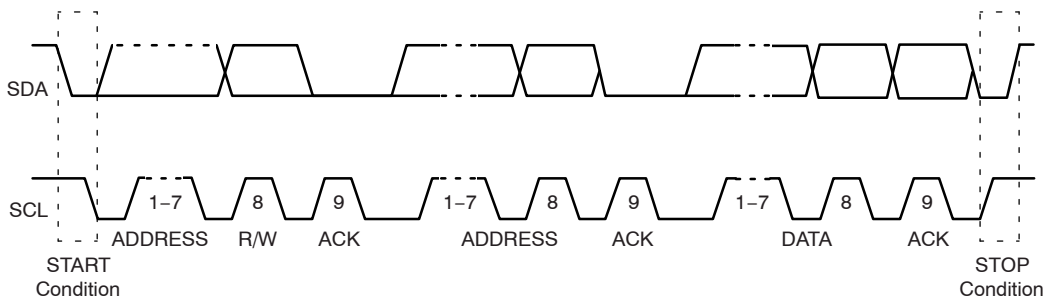
- S: Start condition
- R, W: Read bit (1), Write bit (0)
- A: Acknowledge sent by the slave LED driver (SDA high)
- A\*: Not Acknowledge sent by the master microcontroller (SDA low)
- P: Stop condition
- Slave address: Device address 7 bits (MSB first, slave address is 1100110).
- Register address: Device register address 8 bits
- Data: Data to read or write 8 bits



**Figure 26. Write Instruction Sequence**



**Figure 27. Write Instruction Example Setting 20 mA Current in LEDB1 and LEDB2**



**Figure 28. I<sup>2</sup>C Bus Protocol**

# CAT3626

## Typical Application

The CAT3626 is ideal for driving RGB (red green blue) LEDs with common anode configuration. The individual LED currents associated with the red, green and blue LEDs are programmable independently through the I<sup>2</sup>C interface,

allowing to generate an accurate color mixing. Dimming while maintaining the same color can be done by reprogramming the RegEn register on and off with the appropriate duty cycle (PWM mode).

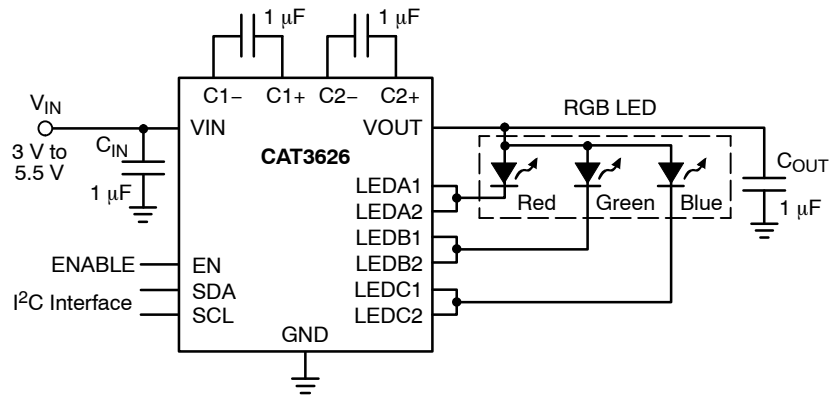
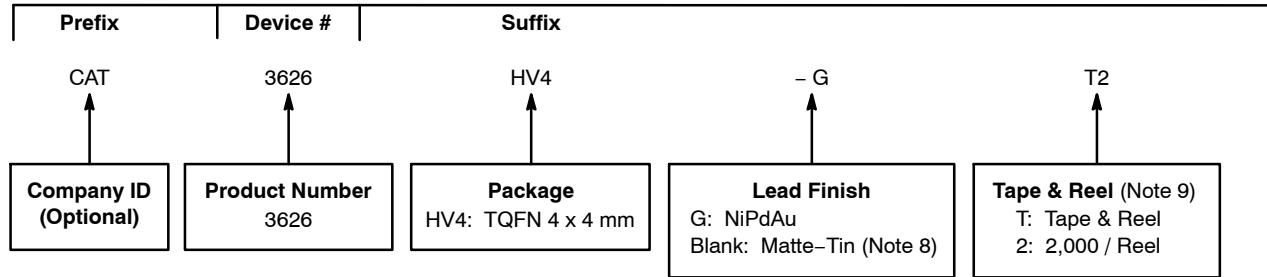


Figure 29. RGB LED

# CAT3626

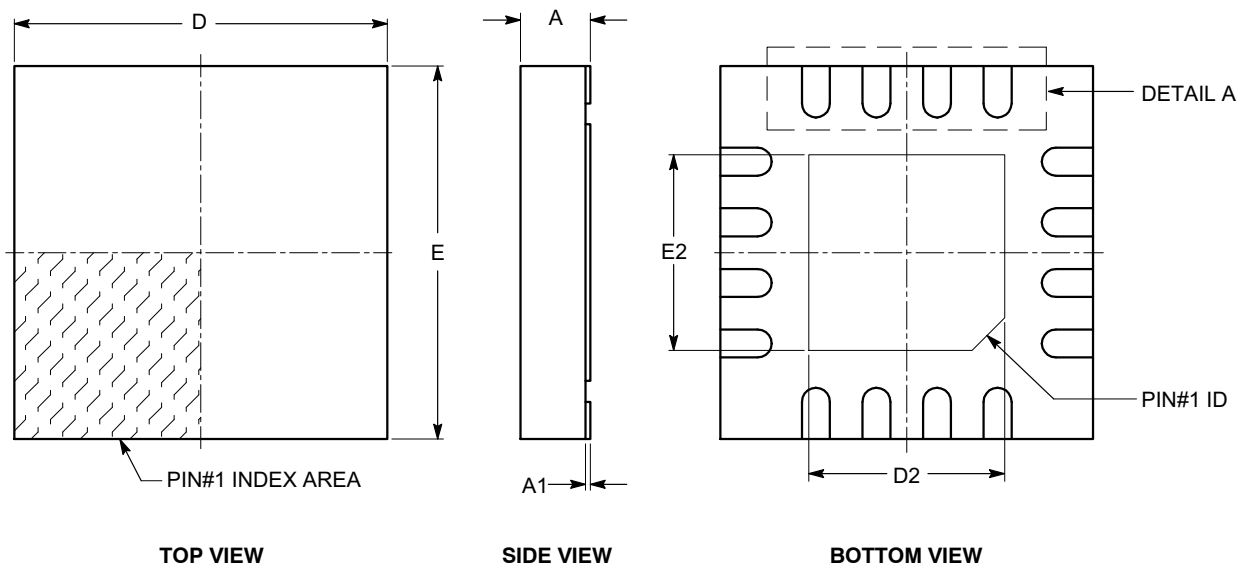
## Example of Ordering Information (Note 7)



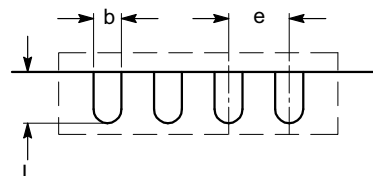
5. All packages are RoHS-compliant (Lead-free, Halogen-free).
6. The standard lead finish is NiPdAu.
7. The device used in the above example is a CAT3626HV4-GT2 (TQFN, NiPdAu Plated Finish, Tape & Reel, 2,000/Reel).
8. For Matte-Tin package option, please contact your nearest ON Semiconductor Sales office.
9. For information on tape and reel specifications, including part orientation and tape sizes, please refer to our Tape and Reel Packaging Specifications Brochure, BRD8011/D.

**TQFN16, 4x4**  
**CASE 510AE-01**  
**ISSUE A**

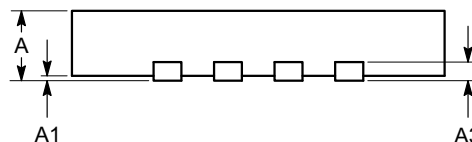
DATE 18 MAR 2009



| SYMBOL | MIN      | NOM  | MAX  |
|--------|----------|------|------|
| A      | 0.70     | 0.75 | 0.80 |
| A1     | 0.00     | 0.02 | 0.05 |
| A3     | 0.20 REF |      |      |
| b      | 0.25     | 0.30 | 0.35 |
| D      | 3.90     | 4.00 | 4.10 |
| D2     | 2.00     | ---  | 2.25 |
| E      | 3.90     | 4.00 | 4.10 |
| E2     | 2.00     | ---  | 2.25 |
| e      | 0.65 BSC |      |      |
| L      | 0.45     | ---  | 0.65 |



DETAIL A



FRONT VIEW

**Notes:**

- (1) All dimensions are in millimeters.
- (2) Complies with JEDEC MO-220.

|                         |                    |  |
|-------------------------|--------------------|--|
| <b>DOCUMENT NUMBER:</b> | <b>98AON34374E</b> | Electronic versions are uncontrolled except when accessed directly from the Document Repository. Printed versions are uncontrolled except when stamped "CONTROLLED COPY" in red. |
| <b>DESCRIPTION:</b>     | <b>TQFN16, 4X4</b> | <b>PAGE 1 OF 1</b>   |

ON Semiconductor and are trademarks of Semiconductor Components Industries, LLC dba ON Semiconductor or its subsidiaries in the United States and/or other countries. ON Semiconductor reserves the right to make changes without further notice to any products herein. ON Semiconductor makes no warranty, representation or guarantee regarding the suitability of its products for any particular purpose, nor does ON Semiconductor assume any liability arising out of the application or use of any product or circuit, and specifically disclaims any and all liability, including without limitation special, consequential or incidental damages. ON Semiconductor does not convey any license under its patent rights nor the rights of others.

ON Semiconductor and  are trademarks of Semiconductor Components Industries, LLC dba ON Semiconductor or its subsidiaries in the United States and/or other countries. ON Semiconductor owns the rights to a number of patents, trademarks, copyrights, trade secrets, and other intellectual property. A listing of ON Semiconductor's product/patent coverage may be accessed at [www.onsemi.com/site/pdf/Patent-Marking.pdf](http://www.onsemi.com/site/pdf/Patent-Marking.pdf). ON Semiconductor reserves the right to make changes without further notice to any products herein. ON Semiconductor makes no warranty, representation or guarantee regarding the suitability of its products for any particular purpose, nor does ON Semiconductor assume any liability arising out of the application or use of any product or circuit, and specifically disclaims any and all liability, including without limitation special, consequential or incidental damages. Buyer is responsible for its products and applications using ON Semiconductor products, including compliance with all laws, regulations and safety requirements or standards, regardless of any support or applications information provided by ON Semiconductor. "Typical" parameters which may be provided in ON Semiconductor data sheets and/or specifications can and do vary in different applications and actual performance may vary over time. All operating parameters, including "Typicals" must be validated for each customer application by customer's technical experts. ON Semiconductor does not convey any license under its patent rights nor the rights of others. ON Semiconductor products are not designed, intended, or authorized for use as a critical component in life support systems or any FDA Class 3 medical devices or medical devices with a same or similar classification in a foreign jurisdiction or any devices intended for implantation in the human body. Should Buyer purchase or use ON Semiconductor products for any such unintended or unauthorized application, Buyer shall indemnify and hold ON Semiconductor and its officers, employees, subsidiaries, affiliates, and distributors harmless against all claims, costs, damages, and expenses, and reasonable attorney fees arising out of, directly or indirectly, any claim of personal injury or death associated with such unintended or unauthorized use, even if such claim alleges that ON Semiconductor was negligent regarding the design or manufacture of the part. ON Semiconductor is an Equal Opportunity/Affirmative Action Employer. This literature is subject to all applicable copyright laws and is not for resale in any manner.

## PUBLICATION ORDERING INFORMATION

### LITERATURE FULFILLMENT:

Email Requests to: [orderlit@onsemi.com](mailto:orderlit@onsemi.com)

ON Semiconductor Website: [www.onsemi.com](http://www.onsemi.com)

### TECHNICAL SUPPORT

North American Technical Support:  
Voice Mail: 1 800-282-9855 Toll Free USA/Canada  
Phone: 011 421 33 790 2910

### Europe, Middle East and Africa Technical Support:

Phone: 00421 33 790 2910

For additional information, please contact your local Sales Representative