

## 2A, Low Input Voltage, Ultra-Low Dropout Linear Regulator with Enable

### General Description

The RT2515A is a high performance positive voltage regulator designed for use in applications requiring ultra-low input voltage and ultra-low dropout voltage at up to 2 amperes. It operates with an input voltage as low as 1.4V, with output voltage programmable as low as 0.5V. The RT2515A features ultra low dropout, ideal for applications where output voltage is very close to input voltage. Additionally, the RT2515A has an enable pin to further reduce power dissipation while shutdown. The RT2515A provides excellent regulation over variations in line, load and temperature. The RT2515A is available in the SOP-8 (Exposed Pad) package. The output voltage can be set by an external divider or fixed at 1.2V depending on how the FB pin is configured.

### Ordering Information

RT2515A □ □

- Package Type  
SP : SOP-8 (Exposed Pad-Option 2)
- Lead Plating System  
G : Green (Halogen Free and Pb Free)

Note :

Richtek products are :

- ▶ RoHS compliant and compatible with the current requirements of IPC/JEDEC J-STD-020.
- ▶ Suitable for use in SnPb or Pb-free soldering processes.

### Marking Information

RT2515A  
GSPYMDNN  
●

RT2515AGSP : Product Number  
YMDNN : Date Code

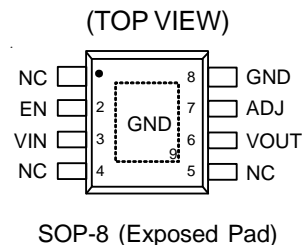
### Features

- Input Voltage as Low as 1.4V
- Ultra-Low Dropout Voltage 400mV @ 2A
- Adjustable Output Voltage from 0.5V to 3.8V
- Over Current Protection
- Over Temperature Protection
- 1μA Input Current in Shutdown Mode
- Enable Control
- RoHS Compliant and Halogen Free

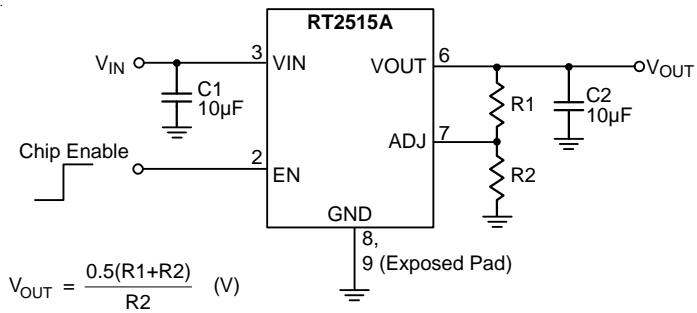
### Applications

- Telecom/Networking Cards
- Motherboards/Peripheral Cards
- Industrial Applications
- Wireless Infrastructure
- Set Top Box
- Medical Equipment
- Notebook Computers
- Battery Powered Systems

### Pin Configurations



## Typical Application Circuit



$$V_{OUT} = \frac{0.5(R1+R2)}{R2} \text{ (V)}$$

Figure 1. Adjustable Voltage Regulator

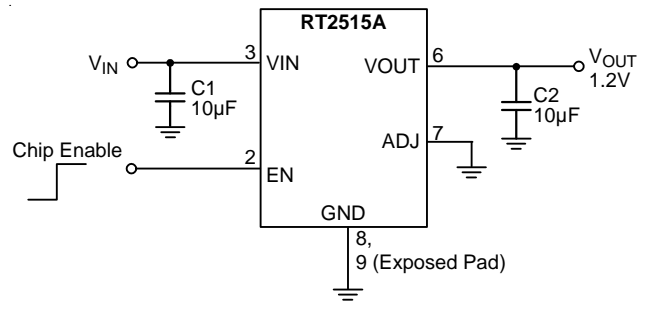
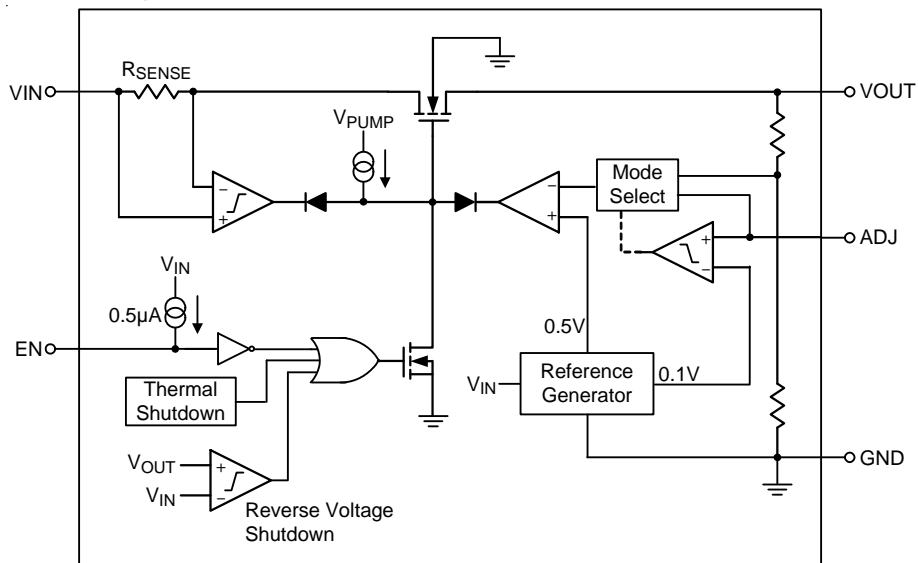


Figure 2. Fixed Voltage Regulator

## Functional Pin Description

Pin No.	Pin Name	Pin Function
1, 4, 5	NC	No Internal Connection.
2	EN	Chip Enable (Active-High). Pulling this pin below 0.4V turns the regulator off, reducing the quiescent current to a fraction of its operating value. The device will be enabled if this pin is left open. Connect to VIN if not being used.
3	VIN	Input voltage. For regulation at full load, the input to this pin must be between (V <sub>OUT</sub> + 0.5V) and 5.5V. Minimum input voltage is 1.4V. A large bulk capacitance should be placed closely to this pin to ensure that the input supply does not sag below 1.4V. Also a minimum of 10µF ceramic capacitor should be placed directly at this pin.
6	VOUT	Output Voltage. A minimum of 10µF capacitor should be placed directly at this pin.
7	ADJ	When this pin is grounded, an internal resistor divider sets the output voltage to 1.2V. If connected to the VOUT pin, the output voltage will be set at 0.5V. If external feedback resistors are used, the output voltage will be determined by the resistor ratio.
8, 9 (Exposed pad)	GND	Ground. The exposed pad must be soldered to a large PCB and connected to GND for maximum power dissipation.

## Function Block Diagram



**Absolute Maximum Ratings** (Note 1)

- Supply Voltage,  $V_{IN}$  ----- -0.3V to 7V
- Other I/O Pin ----- -0.3V to 6V
- Power Dissipation,  $P_D$  @  $T_A = 25^\circ\text{C}$   
   SOP-8 (Exposed Pad) ----- 2.04W
- Package Thermal Resistance (Note 2)  
   SOP-8 (Exposed Pad),  $\theta_{JA}$  ----- 49°C/W  
   SOP-8 (Exposed Pad),  $\theta_{JC}$  ----- 15°C/W
- Lead Temperature (Soldering, 10 sec.) ----- 260°C
- Junction Temperature ----- 150°C
- Storage Temperature Range ----- -65°C to 150°C
- ESD Susceptibility (Note 3)  
   HBM (Human Body Model) ----- 2kV

**Recommended Operating Conditions** (Note 4)

- Supply Voltage,  $V_{IN}$  ----- 1.4V to 6V
- Junction Temperature Range ----- -40°C to 125°C
- Ambient Temperature Range ----- -40°C to 85°C

**Electrical Characteristics**

( $V_{IN} = 1.4\text{V}$  to  $6\text{V}$ ,  $I_{OUT} = 10\mu\text{A}$  to  $2\text{A}$ ,  $V_{ADJ} = V_{OUT}$ ,  $-40^\circ\text{C} \leq T_A \leq 85^\circ\text{C}$ , unless otherwise specified)

Parameter	Symbol	Test Conditions	Min	Typ	Max	Unit
Quiescent Current	$I_Q$	$V_{IN} = 3.3\text{V}$ , $I_{OUT} = 0\text{A}$	--	0.7	1.5	mA
Shutdown Current	$I_{SHDN}$	$V_{IN} = 5.5\text{V}$ , $V_{EN} = 0\text{V}$	--	1.5	10	$\mu\text{A}$
Output Voltage (Fixed Output, $V_{ADJ} = 0\text{V}$ )	$V_{OUT}$	$V_{IN} = V_{OUT} + 0.5\text{V}$ , $I_{OUT} = 10\text{mA}$ $T_A = 25^\circ\text{C}$	-2	--	2	%
		$V_{IN} = 1.8\text{V}$ , $I_{OUT} = 0.8\text{A}$ , $T_A = 25^\circ\text{C}$				
		$1.4\text{V} \leq V_{IN} \leq 5.5\text{V}$ , $I_{OUT} = 10\text{mA}$	-3	--	3	
Line Regulation	$\Delta V_{LINE}$	$I_{OUT} = 10\text{mA}$	--	0.2	0.4	%/V
Load Regulation	$\Delta V_{LOAD}$	$I_{OUT} = 10\text{mA}$ to $2\text{A}$	--	0.5	1.5	%
Dropout Voltage	$V_{DROP}$	$I_{OUT} = 1\text{A}$ , $V_{IN} \geq 1.6\text{V}$	--	120	200	mV
		$I_{OUT} = 1\text{A}$ , $1.4\text{V} < V_{IN} < 1.6\text{V}$	--	--	400	
		$I_{OUT} = 1.5\text{A}$ , $V_{IN} \geq 1.6\text{V}$	--	180	300	
		$I_{OUT} = 1.5\text{A}$ , $1.4\text{V} < V_{IN} < 1.6\text{V}$	--	--	500	
		$I_{OUT} = 2\text{A}$ , $V_{IN} \geq 1.6\text{V}$	--	240	400	
		$I_{OUT} = 2\text{A}$ , $1.4\text{V} < V_{IN} < 1.6\text{V}$	--	--	600	
Current Limit	$I_{LIM}$	$V_{IN} = 3.3\text{V}$	2.3	3	4.4	A

Parameter	Symbol	Test Conditions	Min	Typ	Max	Unit
<b>Feedback</b>						
ADJ Reference Voltage	$V_{ADJ}$	$V_{IN} = 3.3V, V_{ADJ} = V_{OUT}, I_{OUT} = 10mA, T_A = 25^{\circ}C$	0.495	--	0.505	V
		$V_{IN} = 3.3V, V_{ADJ} = V_{OUT}, I_{OUT} = 10mA$	0.49	--	0.51	
ADJ Pin Current	$I_{ADJ}$	$V_{ADJ} = 0.5V$	--	20	200	nA
ADJ Pin Threshold	$V_{TH\_ADJ}$	$V_{IN} = 3.3V$	0.05	0.1	0.15	V
<b>Enable</b>						
EN Pin Current	$I_{EN}$	$V_{EN} = 0V, V_{IN} = 5.5V$	--	1	10	$\mu A$
EN Threshold Voltage	Logic-High	$V_{IH}$	$V_{IN} = 3.3V$	1.6	--	V
	Logic-Low	$V_{IL}$	$V_{IN} = 3.3V$	--	0.4	
<b>Over Temperature Protection</b>						
OTP Trip Level			--	160	--	$^{\circ}C$
Hysteresis			--	30	--	$^{\circ}C$

**Note 1.** Stresses beyond those listed "Absolute Maximum Ratings" may cause permanent damage to the device. These are stress ratings only, and functional operation of the device at these or any other conditions beyond those indicated in the operational sections of the specifications is not implied. Exposure to absolute maximum rating conditions may affect device reliability.

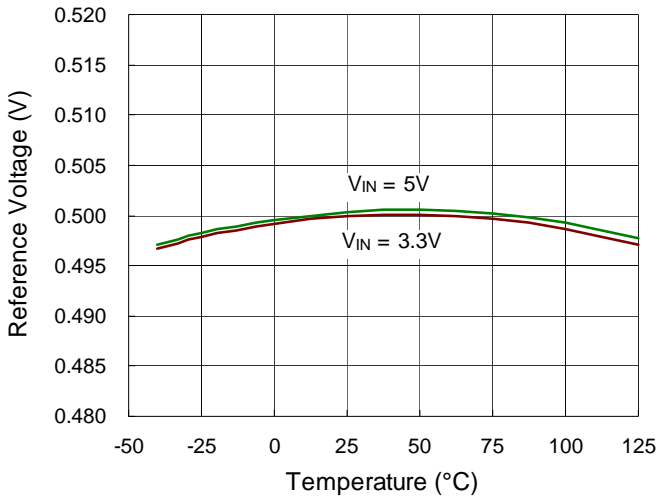
**Note 2.**  $\theta_{JA}$  is measured at  $T_A = 25^{\circ}C$  on a high effective thermal conductivity four-layer test board per JEDEC 51-7.  $\theta_{JC}$  is measured at the exposed pad of the package.

**Note 3.** Devices are ESD sensitive. Handling precaution is recommended.

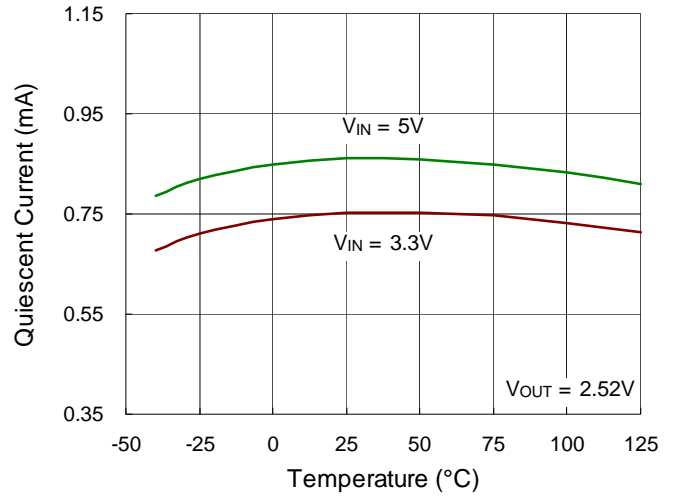
**Note 4.** The device is not guaranteed to function outside its operating conditions.

**Typical Operating Characteristics**

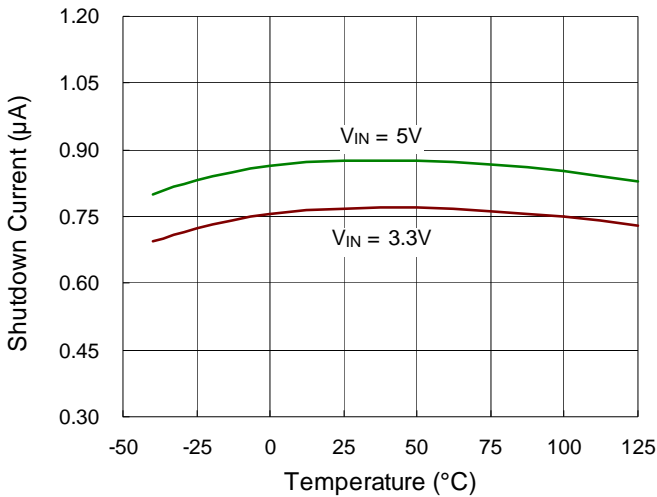
**Reference Voltage vs. Temperature**



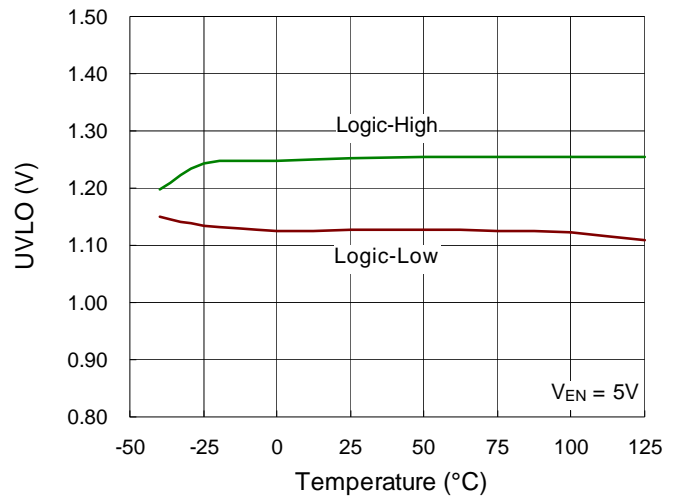
**Quiescent Current vs. Temperature**



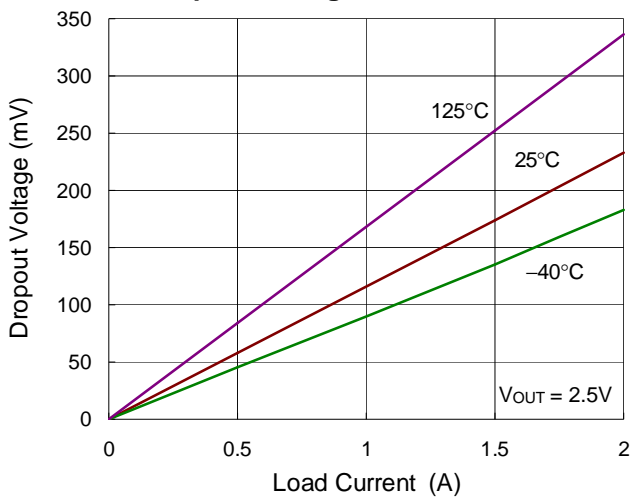
**Shutdown Current vs. Temperature**



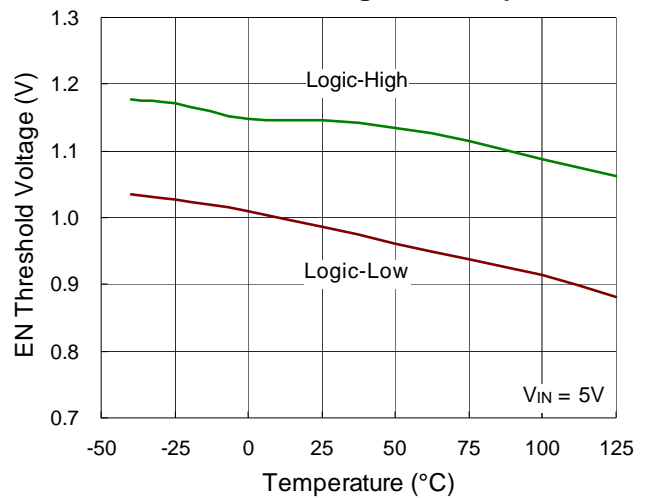
**UVLO vs. Temperature**



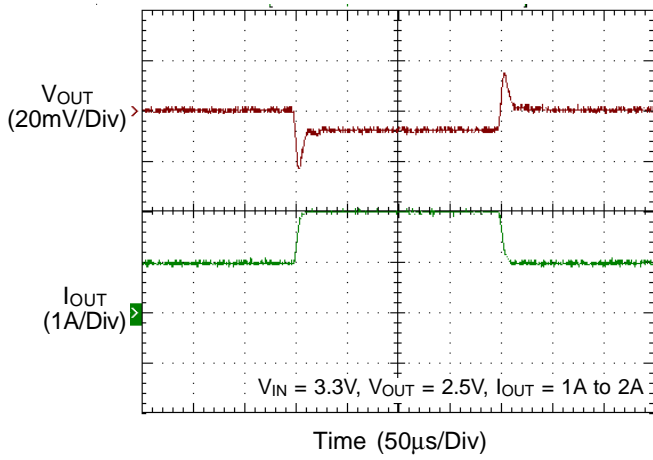
**Dropout Voltage vs. Load Current**



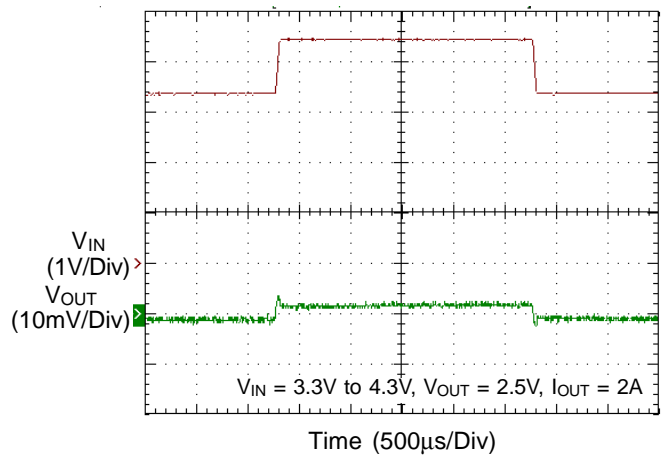
**EN Threshold Voltage vs. Temperature**



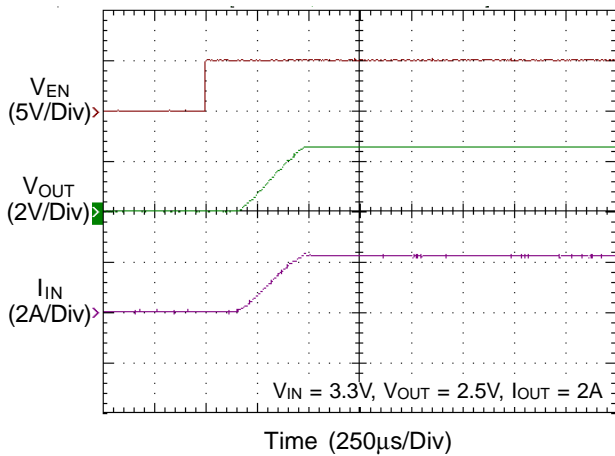
Load Transient Response



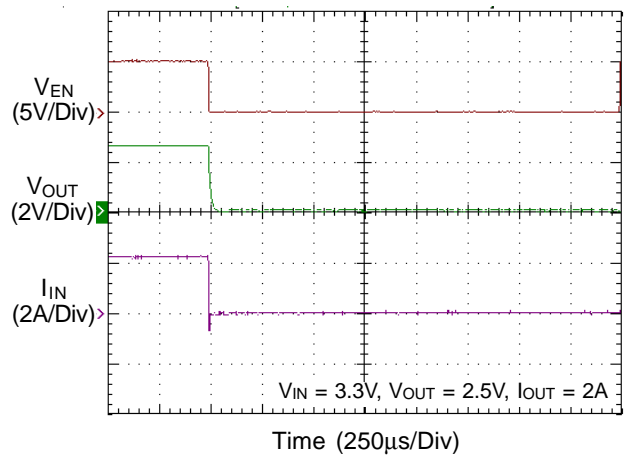
Line Transient Response



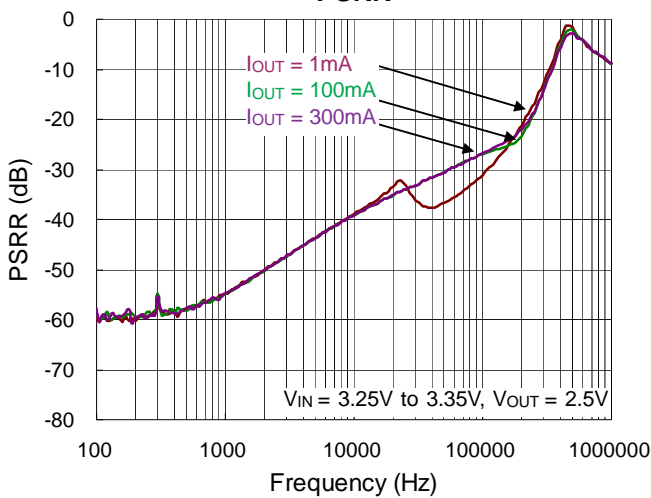
Power On from EN



Power Off from EN



PSRR



**Application Information**

The RT2515A is a low voltage, low dropout linear regulator with an external bias supply input capable of supporting an input voltage range from 1.4V to 6V with a fixed output voltage from 1V to 2V in 0.1V increments.

**Output Voltage Setting**

The RT2515A output voltage is adjustable from 1.4V to 6V via the external resistive voltage divider. The voltage divider resistors can have values of up to 800kΩ because of the very high impedance and low bias current of the sense comparator. The output voltage is set according to the following equation :

$$V_{OUT} = V_{ADJ} \times \left( 1 + \frac{R1}{R2} \right)$$

where  $V_{ADJ}$  is the reference voltage with a typical value of 0.5V.

**Chip Enable Operation**

The RT2515A goes into sleep mode when the EN pin is in a logic low condition. In this condition, the pass transistor, error amplifier, and band gap are all turned off, reducing the supply current to only 10μA (max.). The EN pin can be directly tied to VIN to keep the part on.

**Current Limit**

The RT2515A contains an independent current limit circuitry, which monitors and controls the pass transistor's gate voltage, limiting the output current to 3A (typ.).

**C<sub>IN</sub> and C<sub>OUT</sub> Selection**

Like any low dropout regulator, the external capacitors of the RT2515A must be carefully selected for regulator stability and performance. Using a capacitor of at least 10μF is suitable. The input capacitor must be located at a distance of not more than 0.5 inch from the input pin of the IC. Any good quality ceramic capacitor can be used. However, a capacitor with larger value and lower ESR (Equivalent Series Resistance) is recommended since it will provide better PSRR and line transient response.

The RT2515A is designed specifically to work with low ESR ceramic output capacitor for space saving and performance consideration. Using a ceramic capacitor with capacitance of at least 10μF and ESR larger than 1mΩ on the RT2515A output ensures stability. Nevertheless, the RT2515A can still work well with other types of output capacitors due to its wide range of stable ESR. Figure 3 shows the allowable ESR range as a function of load current for various output capacitance. Output capacitors with larger capacitance can reduce noise and improve load transient response, stability, and PSRR. The output capacitor should be located at a distance of not more than 0.5 inch from the output pin of the RT2515A.

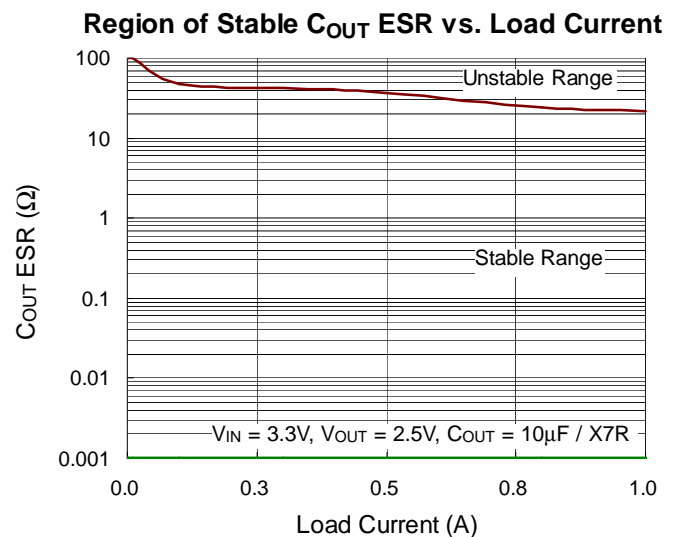


Figure 3

**Thermal Considerations**

Thermal protection limits power dissipation in RT2515A. When the operation junction temperature exceeds 160°C, the OTP circuit starts the thermal shutdown function and turns the pass element off. The pass element turns on again after the junction temperature cools by 30°C.

RT2515A output voltage will be closed to zero when output short circuit occurs as shown in Figure 4. It can reduce the IC temperature and provides maximum safety to end users when output short circuit occurs.

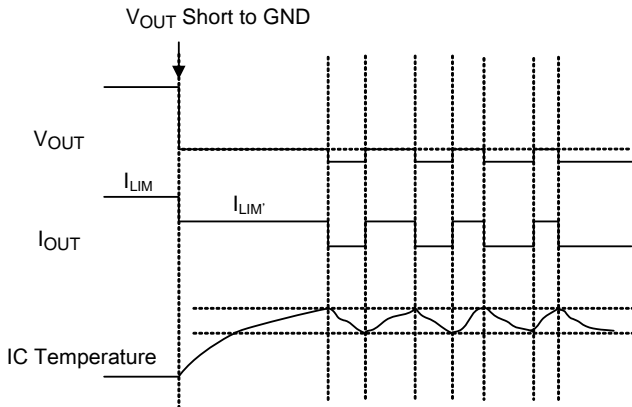


Figure 4. Short Circuit Protection when Output Short Circuit Occurs

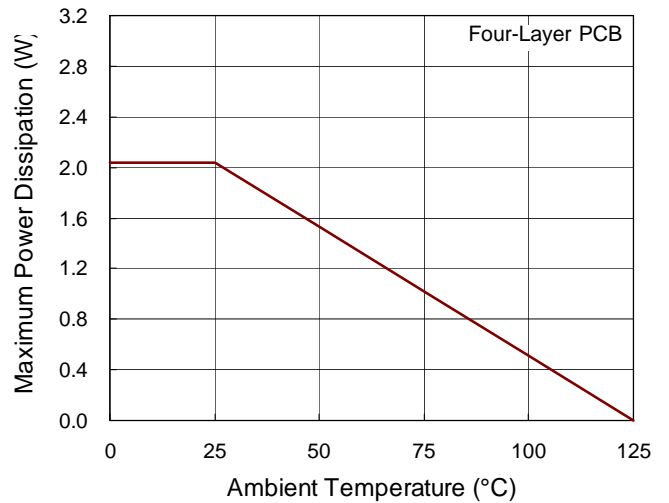


Figure 5. Derating Curve of Maximum Power Dissipation

For continuous operation, do not exceed absolute maximum junction temperature. The maximum power dissipation depends on the thermal resistance of the IC package, PCB layout, rate of surrounding airflow, and difference between junction and ambient temperature. The maximum power dissipation can be calculated by the following formula :

$$P_{D(MAX)} = (T_{J(MAX)} - T_A) / \theta_{JA}$$

where  $T_{J(MAX)}$  is the maximum junction temperature,  $T_A$  is the ambient temperature, and  $\theta_{JA}$  is the junction to ambient thermal resistance.

For recommended operating condition specifications, the maximum junction temperature is 125°C. The junction to ambient thermal resistance,  $\theta_{JA}$ , is layout dependent. For SOP-8 (Exposed Pad) package, the thermal resistance,  $\theta_{JA}$ , is 49°C/W on a standard JEDEC 51-7 four-layer thermal test board. The maximum power dissipation at  $T_A = 25^\circ\text{C}$  can be calculated by the following formula :

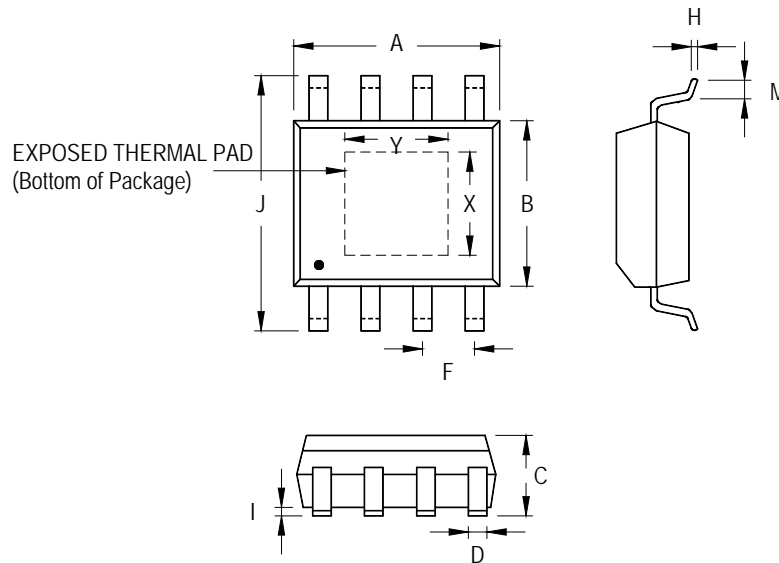
$$P_{D(MAX)} = (125^\circ\text{C} - 25^\circ\text{C}) / (49^\circ\text{C/W}) = 2.04\text{W for}$$

SOP-8 (Exposed Pad) package

The maximum power dissipation depends on the operating ambient temperature for fixed  $T_{J(MAX)}$  and thermal resistance,  $\theta_{JA}$ . The derating curve in Figure 5 allows the designer to see the effect of rising ambient temperature on the maximum power dissipation.



**Outline Dimension**



Symbol	Dimensions In Millimeters		Dimensions In Inches		
	Min	Max	Min	Max	
A	4.801	5.004	0.189	0.197	
B	3.810	4.000	0.150	0.157	
C	1.346	1.753	0.053	0.069	
D	0.330	0.510	0.013	0.020	
F	1.194	1.346	0.047	0.053	
H	0.170	0.254	0.007	0.010	
I	0.000	0.152	0.000	0.006	
J	5.791	6.200	0.228	0.244	
M	0.406	1.270	0.016	0.050	
Option 1	X	2.000	2.300	0.079	0.091
	Y	2.000	2.300	0.079	0.091
Option 2	X	2.100	2.500	0.083	0.098
	Y	3.000	3.500	0.118	0.138

**8-Lead SOP (Exposed Pad) Plastic Package**

**Richtek Technology Corporation**

5F, No. 20, Taiyuen Street, Chupei City  
 Hsinchu, Taiwan, R.O.C.  
 Tel: (8863)5526789

Richtek products are sold by description only. Richtek reserves the right to change the circuitry and/or specifications without notice at any time. Customers should obtain the latest relevant information and data sheets before placing orders and should verify that such information is current and complete. Richtek cannot assume responsibility for use of any circuitry other than circuitry entirely embodied in a Richtek product. Information furnished by Richtek is believed to be accurate and reliable. However, no responsibility is assumed by Richtek or its subsidiaries for its use; nor for any infringements of patents or other rights of third parties which may result from its use. No license is granted by implication or otherwise under any patent or patent rights of Richtek or its subsidiaries.