

**2.5V/3.3V, 3.0GHz CML AnyGate® Any Logic with 50Ω Outputs**

**Features**

- Guaranteed AC Parameters Over Temperature:
  - fMAX > 3.0GHz
  - tr / tf < 100ps
  - Propagation delay < 280ps
- Guaranteed Operation Over -40° to +85°C Temperature Range
- Wide Supply Voltage Range: 2.3V to 3.6V
- Single IC Provides 8 Logic Functions
- 2:1 MUX Capability
- Fully Differential I/O
- Source Terminated CML Outputs for Fast edge Rates (50Ω Load)
- Guaranteed Matched Propagation Delays:
  - Select (S)-to-out: < 280ps
  - Input (A and B)-to-out: < 280ps
- Accepts LVPECL and CML Input Signals
- Functions as LVPECL-to-CML Translator
- Available in a 10-pin (3mm x 3mm) MSOP Package

**Applications**

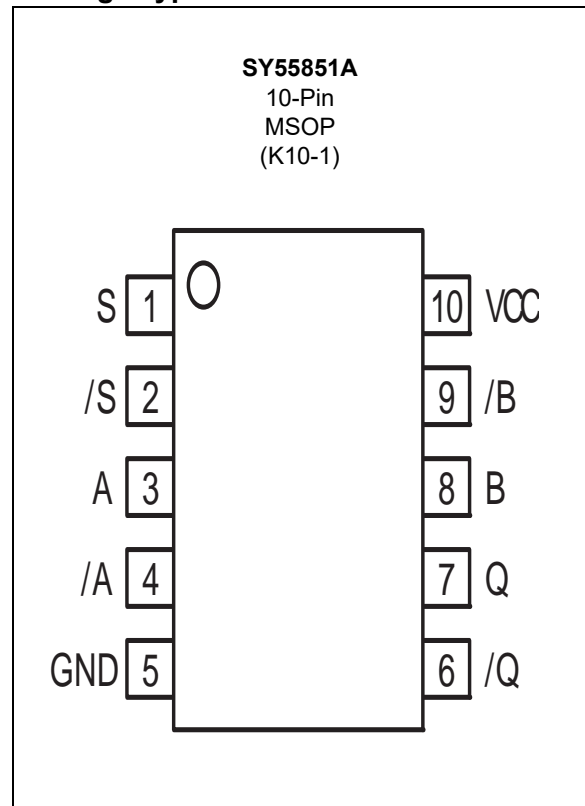
- Port bypass
- Data communication systems
- Wireless communication systems
- Telecom systems

**General Description**

The SY55851A is a highly flexible, universal logic gate capable of up to 3.0GHz operation. This AnyGate differential logic device will produce all possible logic functions of two Boolean variables. It can be configured as any of the following gates: AND, NAND, OR, NOR, XOR, XNOR, DELAY, NEGATION (NOT). The SY55851A can also function as a 2-input multiplexer.

The SY55851A has an output stage optimized for 50Ω loads.

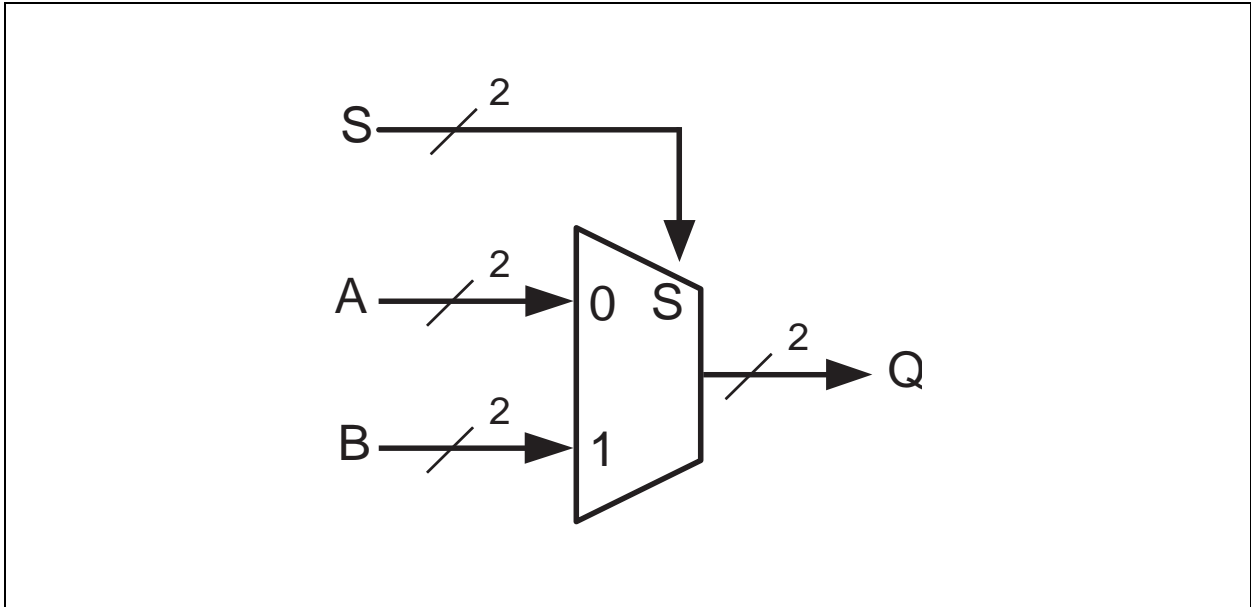
**Package Type**



# SUPERLITE™

## SY55851A

### Functional Block Diagram



## 1.0 ELECTRICAL CHARACTERISTICS

### Absolute Maximum Ratings †

Supply Voltage,  $V_{CC}$ ..... -0.5V to +6.0V  
 Input Voltage,  $V_{IN}$ ..... -0.5V to  $V_{CC} + 0.5V$   
 CML Output Voltage,  $V_{OUT}$ .....  $V_{CC} - 1.0$  to  $V_{CC} + 0.5V$

† **Notice:** Permanent device damage may occur if absolute maximum ratings are exceeded. This is a stress rating only and functional operation is not implied at conditions other than those detailed in the operational sections of this data sheet. Exposure to absolute maximum ratings conditions for extended periods may affect device reliability.

**TABLE 1-1: DC CHARACTERISTICS**

Electrical Characteristics: $V_{CC} = 2.3V$ to $3.6V$ ; $GND = 0V$ ; $T_A = -40^{\circ}C$ to $+85^{\circ}C$ unless otherwise stated (Note 1)						
Parameters	Sym.	Min.	Typ.	Max.	Units	Conditions
Power Supply Voltage	$V_{CC}$	2.3	—	3.6	V	
Power Supply Current	$I_{CC}$	—	46	60	mA	No Load
Output High Voltage	$V_{OH}$	$V_{CC} - 0.040$	$V_{CC} - 0.010$	$V_{CC}$	V	No Load
Output Low Voltage	$V_{OL}$	$V_{CC} - 1.000$	$V_{CC} - 0.800$	$V_{CC} - 0.650$	V	No Load
Output Voltage Swing (Note 2)	$V_{OUT}$	—	0.400	—	V	
Output Source Impedance	$R_{OUT}$	40	50	60	$\Omega$	
Input High Voltage	$V_{IH}$	1.6	—	$V_{CC}$	V	
Input Low Voltage	$V_{IL}$	1.5	—	$V_{CC} - 0.1$	V	
Differential Input Voltage	$V_{ID}$	100	—	—	mV	

**Note 1:** Devices are designed to meet the DC specifications shown in the above table after thermal equilibration has been established. The circuit is in a test socket or mounted on a printed circuit board and transverse airflow greater than 500lfpm is maintained.

**2:** Outputs are terminated through a 100 $\Omega$  resistor across Q and /Q. See Figure 6-1.

**TABLE 1-2: AC ELECTRICAL CHARACTERISTICS**

Electrical Characteristics: $V_{CC} = 2.3V$ to $3.6V$ ; $GND = 0V$ ; $T_A = -40^{\circ}C$ to $85^{\circ}C$ , unless otherwise stated (Note 1, Note 2)						
Parameter	Symbol	Min.	Typ.	Max.	Units	Condition
Maximum Operating Frequency	$f_{MAX}$	3.0	—	—	GHz	
Propagation Delay (A,B,S to Q)	$t_{PD}$	130	—	280	ps	
Output Rise/Fall Time Q (20% to 80%)	$t_r, t_f$	—	65	100	ps	

**Note 1:** Specification for packaged product only.

**2:** Outputs are terminated through a 100 $\Omega$  resistor across Q and /Q. See Figure 6-1.

# SUPERLITE™

## SY55851A

**TABLE 1-3: TEMPERATURE SPECIFICATIONS**

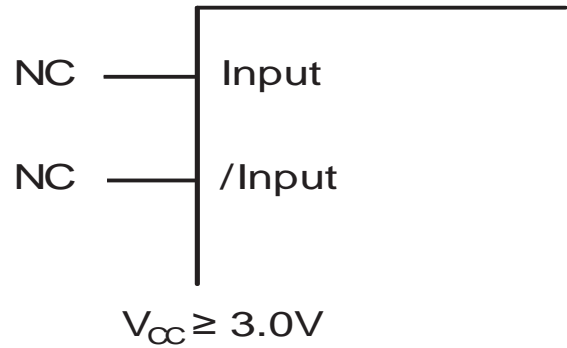
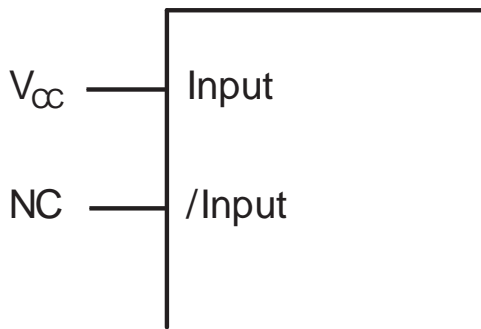
Parameters	Sym.	Min.	Typ.	Max.	Units	Conditions
<b>Temperature Ranges</b>						
Operating Temperature Range	$T_A$	-40	—	+85	°C	
Storage Temperature Range	$T_S$	-65	—	+150	°C	
Lead Temperature	$T_{LEAD}$	—	—	+260	°C	Soldering, 20s
<b>Thermal Resistances</b>						
Junction-to-Ambient	$\theta_{JA}$	—	113	—	°C/W	Still Air
		—	96	—	°C/W	500lfpm
Junction-to-Case	$\theta_{JC}$	—	42	—	°C/W	

## 2.0 FUNCTIONAL DESCRIPTION

### 2.1 Establishing Static Logic Inputs

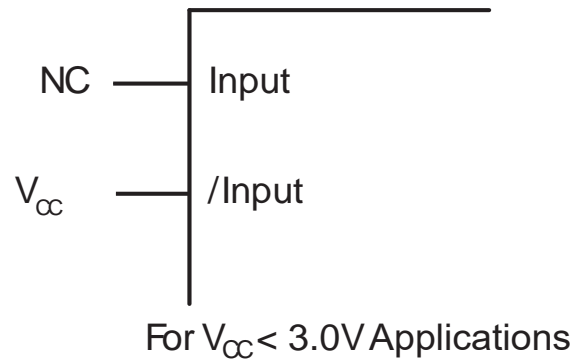
The true pin of an input pair is internally biased to ground through a 75kΩ resistor. The complement pin of an input pair is internally biased to  $V_{CC}/2$  through an internal voltage divider consisting of two 75kΩ resistors. Since some logic functions necessitate an output to be connected to two inputs, SY55851A inputs have no internal terminations. For typical terminations see [Section 5.0, Input Interface Applications](#).

To keep an input at static logic zero at  $V_{CC} \geq 3.0V$ , leave both inputs unconnected or tie the complement input to  $V_{CC}$ . For  $V_{CC} < 3.0V$  applications, connect the complement input to  $V_{CC}$  and leave the true input unconnected. These are the only safe ways to cause inputs to be at a static value. In particular, no input pin should be directly connected to ground. All NC (No Connect) pins should be unconnected.



**FIGURE 2-1:** Hard Wiring a Logic "1" (1)

**Note 1:** Input is either A, B, S input, and /Input is either /A, /B, /S input.

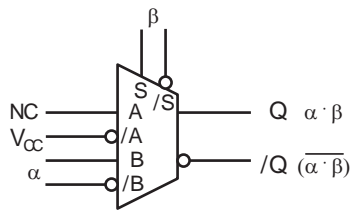


**FIGURE 2-2:** Hard Wiring a Logic "0" (1)

# SUPERLITE™

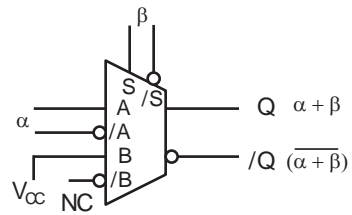
## SY55851A

### 3.0 TRUTH TABLES



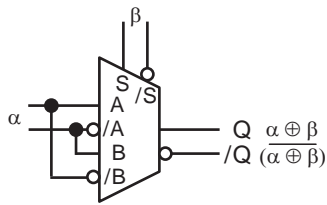
#### AND/NAND

A	$\alpha$ B	$\beta$ S	$\alpha \cdot \beta$ Q	$\overline{(\alpha \cdot \beta)}$ /Q
L	L	L	L	H
L	H	L	L	H
L	L	H	L	H
L	H	H	H	L



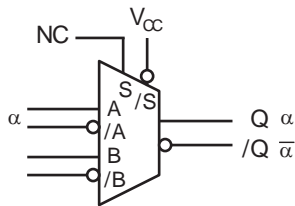
#### OR/NOR

$\alpha$ A	B	$\beta$ S	$\alpha + \beta$ Q	$\overline{\alpha + \beta}$ /Q
L	H	L	L	H
H	H	L	H	L
L	H	H	H	L
H	H	H	H	L



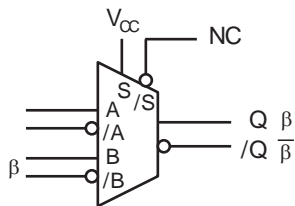
#### XOR/XNOR

$\alpha$ A	B	$\beta$ S	$\alpha \oplus \beta$ Q	$\overline{\alpha \oplus \beta}$ /Q
L	H	L	L	H
L	H	H	H	L
H	L	L	H	L
H	L	H	L	H

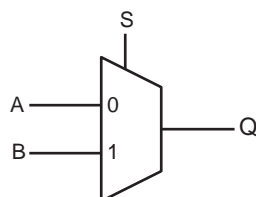


#### DELAY/NEGATION

$\alpha$ A	B	S	$\alpha$ Q	$\bar{\alpha}$ /Q
L	X	L	L	H
H	X	L	H	L



A	$\beta$ B	S	$\beta$ Q	$\bar{\beta}$ /Q
X	L	H	L	H
X	H	H	H	L



#### 2:1 MUX

S	Q	/Q
H	B	/B
L	A	/A

### 4.0 PIN DESCRIPTIONS

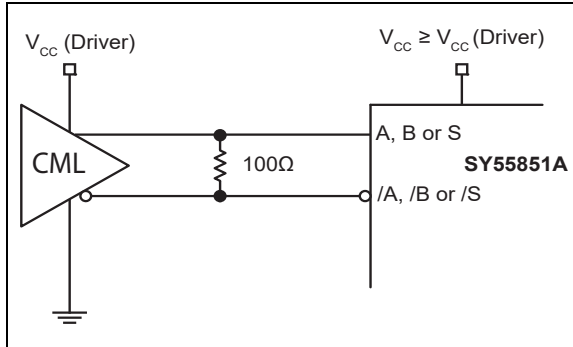
The descriptions of the pins are listed in [Table 4-1](#).

**TABLE 4-1: PIN FUNCTION TABLE**

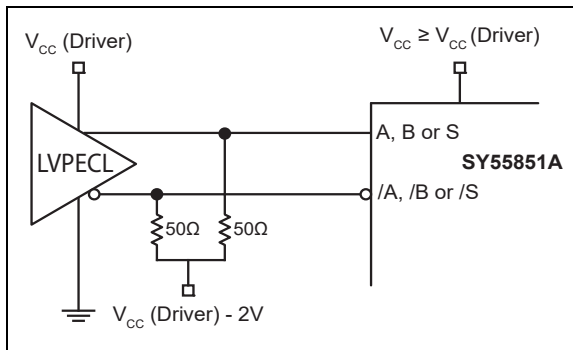
Pin Number	Symbol	Description
1, 2	S, /S	CML, LVPECL, LVTTTL Input Selector: This is one of the differential inputs to the logic block. It represents either one Boolean input for a 2-variable logic function, or the select input for a 2-input MUX. See <a href="#">Section 5.0, Input Interface Applications</a> .
3, 4	A, /A	CML, LVPECL Input: This is one of the differential inputs to the logic block. For a 2-variable logic function, it is either a constant value or a Boolean input. For a 2-input MUX, this signal represents the output when S is set to logic zero. See <a href="#">Section 5.0, Input Interface Applications</a> .
5	GND	Negative Supply Voltage
6, 7	/Q, Q	Differential CML Output: This is the differential CML output for the logic block. See <a href="#">Section 6.0, CML Output Termination</a> .
8, 9	B, /B	CML, LVPECL Input: This is one of the differential inputs to the logic block. For a 2-variable logic function, it is either a constant value or a Boolean input. For a 2-input MUX, this signal represents the output when S is set to logic one. See <a href="#">Section 5.0, Input Interface Applications</a> .
10	VCC	Positive Supply Voltage

### 5.0 INPUT INTERFACE APPLICATIONS

All inputs to the SY55851A must be externally terminated. All inputs accept the output from any other member of this family.



**FIGURE 5-1:** CML-DC Coupled.

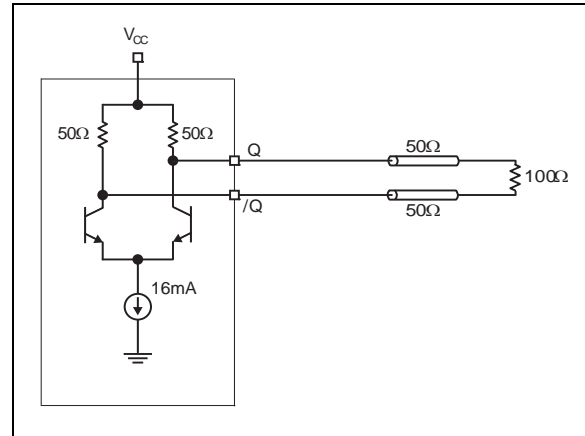


**FIGURE 5-2:** LVPECL-DC Coupled (1)

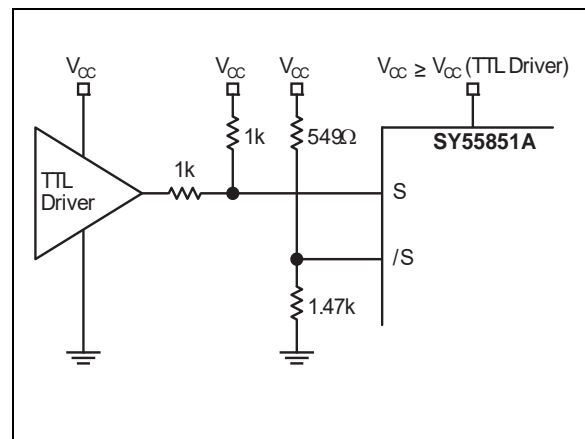
**Note 1:**  $V_{CC}(\text{Driver})$  and  $V_{CC} \geq 3V$

### 6.0 CML OUTPUT TERMINATION

All outputs are source terminated  $50\Omega$  CML differential drivers as shown in Figure 6-1 below.



**FIGURE 6-1:** Differentially Terminated ( $50\Omega$  Load CML Output).

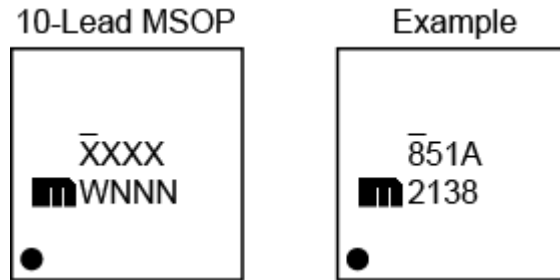


**FIGURE 6-2:** Interfacing TTL-to-CML Select Inputs.



### 7.0 PACKAGING INFORMATION

#### 7.1 Package Marking Information



<b>Legend:</b>	XX...X	Product code or customer-specific information
	Y	Year code (last digit of calendar year)
	YY	Year code (last 2 digits of calendar year)
	WW	Week code (week of January 1 is week '01')
	NNN	Alphanumeric traceability code
	(e3)	Pb-free JEDEC® designator for Matte Tin (Sn)
	*	This package is Pb-free. The Pb-free JEDEC designator ((e3)) can be found on the outer packaging for this package.
	•, ▲, ▼	Pin one index is identified by a dot, delta up, or delta down (triangle mark).
<b>Note:</b>	In the event the full Microchip part number cannot be marked on one line, it will be carried over to the next line, thus limiting the number of available characters for customer-specific information. Package may or may not include the corporate logo.	
	Underbar (¯) and/or Overbar (¯) symbol may not be to scale.	

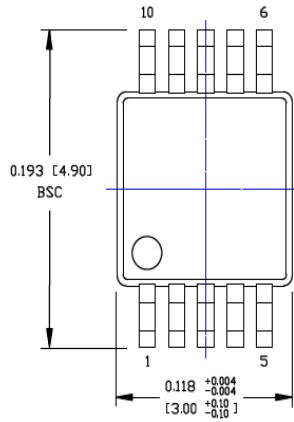
# SUPERLITE™

## SY55851A

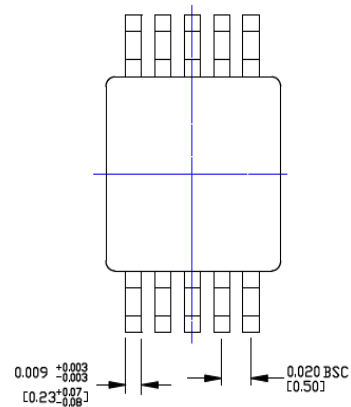
### 10-Lead MSOP Package Outline and Recommended Land Pattern

**Note:** For the most current package drawings, please see the Microchip Packaging Specification located at <http://www.microchip.com/packaging>

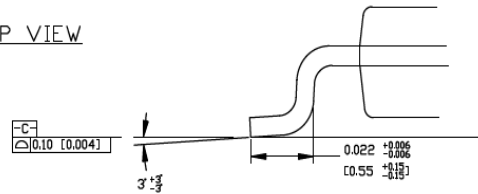
DRAWING #	MSOP-10LD-PL-1	UNIT	INCH [MM]
-----------	----------------	------	-----------



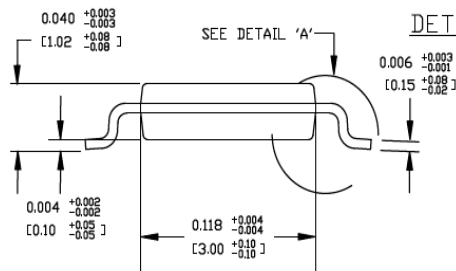
TOP VIEW



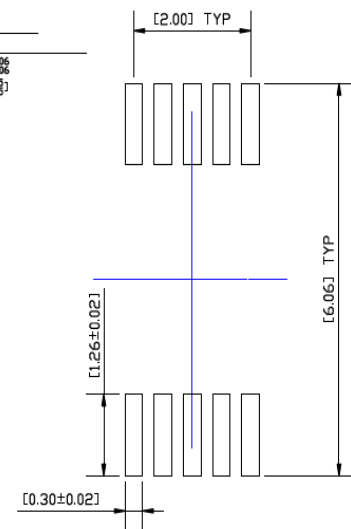
BOTTOM VIEW



DETAIL A



SIDE VIEW



RECOMMENDED LAND PATTERN

**NOTES:**

1. DIMENSIONS ARE INCHES [MM].
2. CONTROLLING DIMENSION: MM
3. DIMENSION DOES NOT INCLUDE MOLD FLASH OR PROTRUSIONS, EITHER OF WHICH SHALL NOT EXCEED 0.008 [0.20] PER SIDE.

### APPENDIX A: REVISION HISTORY

#### Revision A (February 2019)

- Converted Micrel document M999-072909 to Microchip data sheet template DS20006135A.
- Minor text changes throughout.

# SUPERLITE™ SY55851A

---

---

NOTES:

# SUPERLITE™

## SY55851A

### PRODUCT IDENTIFICATION SYSTEM

To order or obtain information, e.g., on pricing or delivery, contact your local Microchip representative or sales office.

<u>PART NO.</u>	X	X	X	X	XX
Device	Feature	Supply Voltage Range	Package	Junction Temperature Range	Special Processing
<b>Device:</b>	SY55851:	2.5V/3.3V, 3.0 GHz CML AnyGate® Any Logic with 50Ω Outputs			
<b>Feature:</b>	A	=	Optimized for 50Ω Loads		
<b>Supply Voltage Range:</b>	U	=	2.5V/3.3V		
<b>Package:</b>	K	=	10-Lead MSOP		
<b>Temperature Range:</b>	G	=	−40°C to +85°C (NiPdAu Lead Free)		
<b>Special Processing:</b>	<blank>	=	100/Tube		
	TR	=	1,000/Reel		

**Examples:**

- a) SY55851AUKG:  
SY55851, Optimized for 50Ω Loads, 2.5V/3.3V Output Voltage, 10-Lead MSOP, −40°C to +85°C Junction Temperature Range, 100/Tube
- b) SY55851AUKGTR:  
SY55851, Optimized for 50Ω Loads, 2.5V/3.3V Output Voltage, 10-Lead MSOP, −40°C to +85°C Junction Temperature Range, 1,000/Reel

**Note 1:** Tape and Reel identifier only appears in the catalog part number description. This identifier is used for ordering purposes and is not printed on the device package. Check with your Microchip Sales Office for package availability with the Tape and Reel option.

# SUPERLITE™

## SY55851A

---

---

NOTES:

---

---

**Note the following details of the code protection feature on Microchip devices:**

- Microchip products meet the specification contained in their particular Microchip Data Sheet.
- Microchip believes that its family of products is one of the most secure families of its kind on the market today, when used in the intended manner and under normal conditions.
- There are dishonest and possibly illegal methods used to breach the code protection feature. All of these methods, to our knowledge, require using the Microchip products in a manner outside the operating specifications contained in Microchip's Data Sheets. Most likely, the person doing so is engaged in theft of intellectual property.
- Microchip is willing to work with the customer who is concerned about the integrity of their code.
- Neither Microchip nor any other semiconductor manufacturer can guarantee the security of their code. Code protection does not mean that we are guaranteeing the product as “unbreakable.”

Code protection is constantly evolving. We at Microchip are committed to continuously improving the code protection features of our products. Attempts to break Microchip's code protection feature may be a violation of the Digital Millennium Copyright Act. If such acts allow unauthorized access to your software or other copyrighted work, you may have a right to sue for relief under that Act.

---

Information contained in this publication regarding device applications and the like is provided only for your convenience and may be superseded by updates. It is your responsibility to ensure that your application meets with your specifications. MICROCHIP MAKES NO REPRESENTATIONS OR WARRANTIES OF ANY KIND WHETHER EXPRESS OR IMPLIED, WRITTEN OR ORAL, STATUTORY OR OTHERWISE, RELATED TO THE INFORMATION, INCLUDING BUT NOT LIMITED TO ITS CONDITION, QUALITY, PERFORMANCE, MERCHANTABILITY OR FITNESS FOR PURPOSE. Microchip disclaims all liability arising from this information and its use. Use of Microchip devices in life support and/or safety applications is entirely at the buyer's risk, and the buyer agrees to defend, indemnify and hold harmless Microchip from any and all damages, claims, suits, or expenses resulting from such use. No licenses are conveyed, implicitly or otherwise, under any Microchip intellectual property rights unless otherwise stated.

*Microchip received ISO/TS-16949:2009 certification for its worldwide headquarters, design and wafer fabrication facilities in Chandler and Tempe, Arizona; Gresham, Oregon and design centers in California and India. The Company's quality system processes and procedures are for its PIC® MCUs and dsPIC® DSCs, KEELOQ® code hopping devices, Serial EEPROMs, microperipherals, nonvolatile memory and analog products. In addition, Microchip's quality system for the design and manufacture of development systems is ISO 9001:2000 certified.*

**QUALITY MANAGEMENT SYSTEM  
CERTIFIED BY DNV  
= ISO/TS 16949 =**

### Trademarks

The Microchip name and logo, the Microchip logo, AnyRate, AVR, AVR logo, AVR Freaks, BitCloud, chipKIT, chipKIT logo, CryptoMemory, CryptoRF, dsPIC, FlashFlex, flexPWR, Helder, JukeBlox, KeeLoq, Klear, LANCheck, LINK MD, maXStylus, maXTouch, MediaLB, megaAVR, MOST, MOST logo, MPLAB, OptoLyzer, PIC, picoPower, PICSTART, PIC32 logo, Prochip Designer, QTouch, SAM-BA, SpyNIC, SST, SST Logo, SuperFlash, tinyAVR, UNI/O, and XMEGA are registered trademarks of Microchip Technology Incorporated in the U.S.A. and other countries.

ClockWorks, The Embedded Control Solutions Company, EtherSynch, Hyper Speed Control, HyperLight Load, IntellIMOS, mTouch, Precision Edge, and Quiet-Wire are registered trademarks of Microchip Technology Incorporated in the U.S.A.

Adjacent Key Suppression, AKS, Analog-for-the-Digital Age, Any Capacitor, AnyIn, AnyOut, BodyCom, CodeGuard, CryptoAuthentication, CryptoAutomotive, CryptoCompanion, CryptoController, dsPICDEM, dsPICDEM.net, Dynamic Average Matching, DAM, ECAN, EtherGREEN, In-Circuit Serial Programming, ICSP, INICnet, Inter-Chip Connectivity, JitterBlocker, KlearNet, KlearNet logo, memBrain, Mindi, MiWi, motorBench, MPASM, MPF, MPLAB Certified logo, MPLIB, MPLINK, MultiTRAK, NetDetach, Omniscient Code Generation, PICDEM, PICDEM.net, PICKit, PICtail, PowerSmart, PureSilicon, QMatrix, REAL ICE, Ripple Blocker, SAM-ICE, Serial Quad I/O, SMART-I.S., SQI, SuperSwitcher, SuperSwitcher II, Total Endurance, TSHARC, USBCheck, VariSense, ViewSpan, WiperLock, Wireless DNA, and ZENA are trademarks of Microchip Technology Incorporated in the U.S.A. and other countries.

SQTP is a service mark of Microchip Technology Incorporated in the U.S.A.

Silicon Storage Technology is a registered trademark of Microchip Technology Inc. in other countries.

GestIC is a registered trademark of Microchip Technology Germany II GmbH & Co. KG, a subsidiary of Microchip Technology Inc., in other countries.

All other trademarks mentioned herein are property of their respective companies.

© 2019, Microchip Technology Incorporated, All Rights Reserved.  
ISBN: 978-1-5224-4128-1



# MICROCHIP

## Worldwide Sales and Service

### AMERICAS

**Corporate Office**  
2355 West Chandler Blvd.  
Chandler, AZ 85224-6199  
Tel: 480-792-7200  
Fax: 480-792-7277  
Technical Support:  
<http://www.microchip.com/support>  
Web Address:  
[www.microchip.com](http://www.microchip.com)

#### Atlanta

Duluth, GA  
Tel: 678-957-9614  
Fax: 678-957-1455

#### Austin, TX

Tel: 512-257-3370

#### Boston

Westborough, MA  
Tel: 774-760-0087  
Fax: 774-760-0088

#### Chicago

Itasca, IL  
Tel: 630-285-0071  
Fax: 630-285-0075

#### Dallas

Addison, TX  
Tel: 972-818-7423  
Fax: 972-818-2924

#### Detroit

Novi, MI  
Tel: 248-848-4000

#### Houston, TX

Tel: 281-894-5983

#### Indianapolis

Noblesville, IN  
Tel: 317-773-8323  
Fax: 317-773-5453  
Tel: 317-536-2380

#### Los Angeles

Mission Viejo, CA  
Tel: 949-462-9523  
Fax: 949-462-9608  
Tel: 951-273-7800

#### Raleigh, NC

Tel: 919-844-7510

#### New York, NY

Tel: 631-435-6000

#### San Jose, CA

Tel: 408-735-9110  
Tel: 408-436-4270

#### Canada - Toronto

Tel: 905-695-1980  
Fax: 905-695-2078

### ASIA/PACIFIC

**Australia - Sydney**  
Tel: 61-2-9868-6733

**China - Beijing**  
Tel: 86-10-8569-7000

**China - Chengdu**  
Tel: 86-28-8665-5511

**China - Chongqing**  
Tel: 86-23-8980-9588

**China - Dongguan**  
Tel: 86-769-8702-9880

**China - Guangzhou**  
Tel: 86-20-8755-8029

**China - Hangzhou**  
Tel: 86-571-8792-8115

**China - Hong Kong SAR**  
Tel: 852-2943-5100

**China - Nanjing**  
Tel: 86-25-8473-2460

**China - Qingdao**  
Tel: 86-532-8502-7355

**China - Shanghai**  
Tel: 86-21-3326-8000

**China - Shenyang**  
Tel: 86-24-2334-2829

**China - Shenzhen**  
Tel: 86-755-8864-2200

**China - Suzhou**  
Tel: 86-186-6233-1526

**China - Wuhan**  
Tel: 86-27-5980-5300

**China - Xian**  
Tel: 86-29-8833-7252

**China - Xiamen**  
Tel: 86-592-2388138

**China - Zhuhai**  
Tel: 86-756-3210040

### ASIA/PACIFIC

**India - Bangalore**  
Tel: 91-80-3090-4444

**India - New Delhi**  
Tel: 91-11-4160-8631

**India - Pune**  
Tel: 91-20-4121-0141

**Japan - Osaka**  
Tel: 81-6-6152-7160

**Japan - Tokyo**  
Tel: 81-3-6880-3770

**Korea - Daegu**  
Tel: 82-53-744-4301

**Korea - Seoul**  
Tel: 82-2-554-7200

**Malaysia - Kuala Lumpur**  
Tel: 60-3-7651-7906

**Malaysia - Penang**  
Tel: 60-4-227-8870

**Philippines - Manila**  
Tel: 63-2-634-9065

**Singapore**  
Tel: 65-6334-8870

**Taiwan - Hsin Chu**  
Tel: 886-3-577-8366

**Taiwan - Kaohsiung**  
Tel: 886-7-213-7830

**Taiwan - Taipei**  
Tel: 886-2-2508-8600

**Thailand - Bangkok**  
Tel: 66-2-694-1351

**Vietnam - Ho Chi Minh**  
Tel: 84-28-5448-2100

### EUROPE

**Austria - Wels**  
Tel: 43-7242-2244-39  
Fax: 43-7242-2244-393

**Denmark - Copenhagen**  
Tel: 45-4450-2828  
Fax: 45-4485-2829

**Finland - Espoo**  
Tel: 358-9-4520-820

**France - Paris**  
Tel: 33-1-69-53-63-20  
Fax: 33-1-69-30-90-79

**Germany - Garching**  
Tel: 49-8931-9700

**Germany - Haan**  
Tel: 49-2129-3766400

**Germany - Heilbronn**  
Tel: 49-7131-67-3636

**Germany - Karlsruhe**  
Tel: 49-721-625370

**Germany - Munich**  
Tel: 49-89-627-144-0  
Fax: 49-89-627-144-44

**Germany - Rosenheim**  
Tel: 49-8031-354-560

**Israel - Ra'anana**  
Tel: 972-9-744-7705

**Italy - Milan**  
Tel: 39-0331-742611  
Fax: 39-0331-466781

**Italy - Padova**  
Tel: 39-049-7625286

**Netherlands - Drunen**  
Tel: 31-416-690399  
Fax: 31-416-690340

**Norway - Trondheim**  
Tel: 47-7288-4388

**Poland - Warsaw**  
Tel: 48-22-3325737

**Romania - Bucharest**  
Tel: 40-21-407-87-50

**Spain - Madrid**  
Tel: 34-91-708-08-90  
Fax: 34-91-708-08-91

**Sweden - Gothenberg**  
Tel: 46-31-704-60-40

**Sweden - Stockholm**  
Tel: 46-8-5090-4654

**UK - Wokingham**  
Tel: 44-118-921-5800  
Fax: 44-118-921-5820