

Amphenol Taiwan Corporation Product Change Notification

Part Numbers Concerned :	GSB3164X1CEU	Originator:	Max Chang
Product Description:	USB 3.0, PLUG, A TYPE, RIGHT ANGLE , SMT	Issue Date:	July, 6th, 2015
		PCN NO:	1507-002
Distribution:			

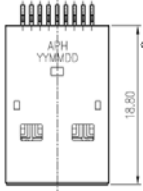
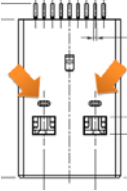

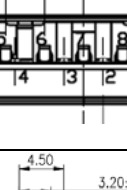
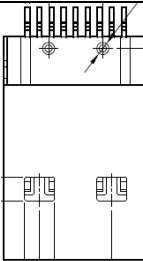
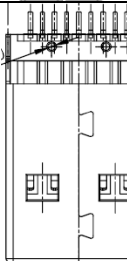
■ Product Change Notice

Background:

This notification is to inform customers regarding Product “GSB3164X1CEU”, due to tooling too old, and all tooling has been worn out and broken easily, and can not maintain anymore.

And now Amphenol recommends a new part to instead of GSB3164X1CEU.

Product change details.

	GSB3164X1CEU – B	GSB3164X1CEU – CX2
Profile Features		
		
		

Product Part Number Affected: No related to the others.

Implementation date: August 1st, 2015.

Recommended Action:

1. Sales team informs customers drawing update to version CX2.
2. Any samples request for pilot run, please inform product marketing earlier.
3. When old parts use up, new part will instead of it by running change.

Max Chang, Product Manager,
886-3-2647200 ext 273

Max.chang@amphenol.com.tw



This document is the property of Amphenol Corporation and is delivered on the express condition that is not to be disclosed, reproduced or used, in whole or in part, for manufacture or sale by anyone other than Amphenol Corporation without its prior consent, and that no right is granted to disclose or to use any information in this document.

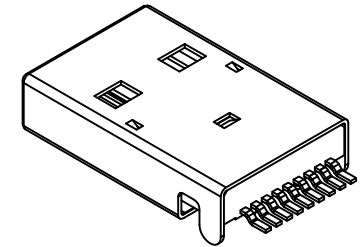
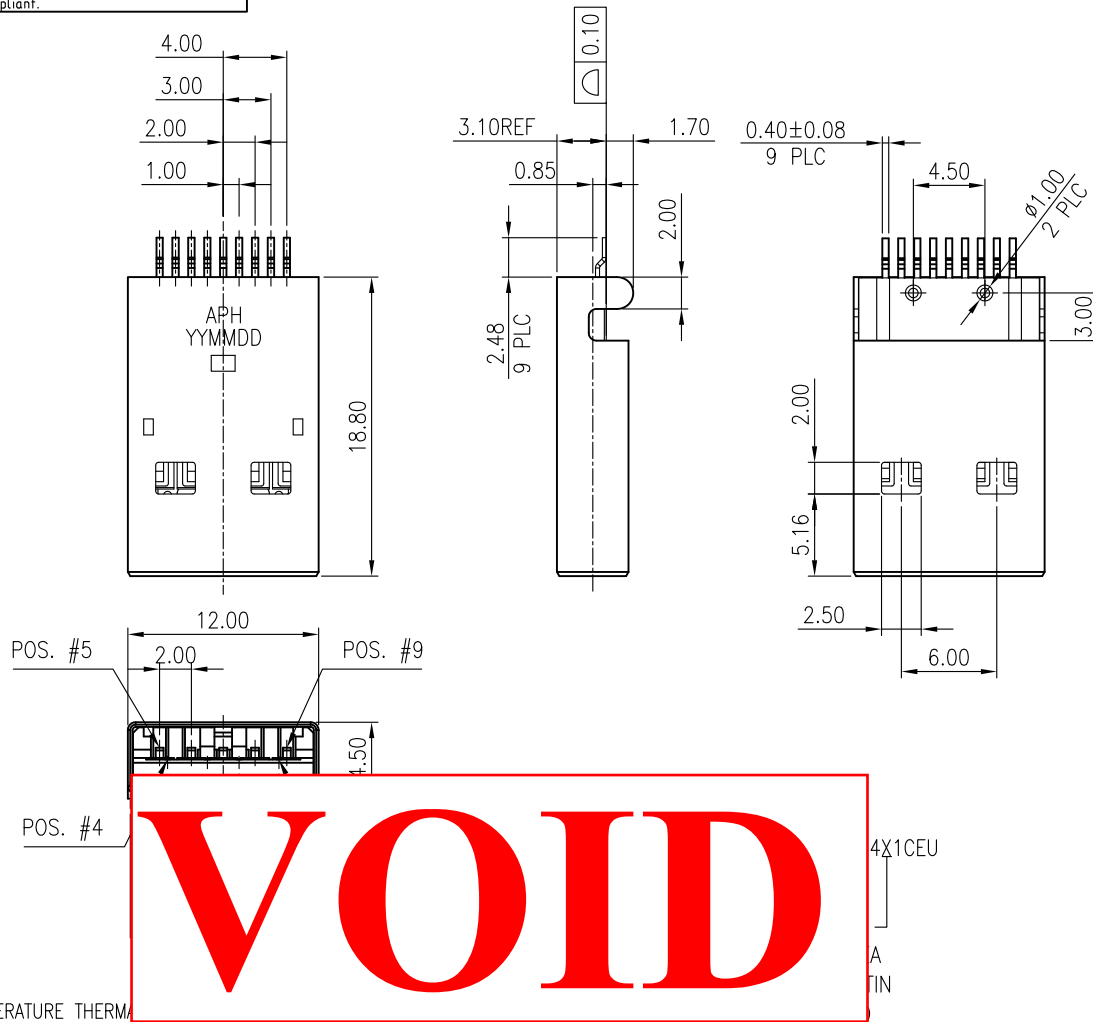
The marking on this product doesn't contain environmental hazardous materials per Material Specification SS-00259 for Sony GP compliant or per directive 2002/95/EC for RoHS compliant.

ORIGINAL

REVISIONS				
SYM	ECN No.	DESCRIPTION	DATE	APPROVED
A		APPROVED REVISION	10/19/2010	Arron Lin
B	NE-11036	ADDED DATE CODE	03/18/2011	Arron Lin

A
B
C
D
E
F

A
B
C
D
E
F



VOID

NOTES:

- INSULATOR: HIGH TEMPERATURE THERM...
- CONTACT: PHOSPHOR BRONZE, GOLD PLATING 2 μ" THICKNESS MIN. OVER PALLADIUM NICKEL PLATING 30μ" THICKNESS MIN ON CONTACT AREA; 100u" MIN. MATTE TIN PLATED OR 2u" MIN. GOLD PLATING THICKNESS. ON SOLDERING TAIL, 80u" MIN. NICKEL UNDER-PLATING OVERALL
- SHELL: SPCC, 50μ" MIN. NICKEL OVER 30μ" MIN. CU PLATED OVERALL
- THIS PRODUCT DOESN'T CONTAIN ENVIRONMENTAL HAZARDOUS MATERIALS PER DIRECTIVE 2002/95/EC FOR RoHS.
- THE PACKING MUST BE PER Amphenol PACKING SPECIFICATION PKS-0001.

RECOMMEND P.C.B LAYOUT GERERAL TOLERANCE±0.05 (COMPONENT SIDE)

TOLERANCE	APPROVALS	DATE	TITLE	UNIT	SIZE	PART No.
X. X.X ±0.30 X.XX ±0.20 X.XXX ±0.10	DRAWN Debby Hung	03/18/2011	USB3.0 CONNECTOR STANDARD A TYPE, PLUG R/A SMT	mm	A3	GSB3164X1CEU
	CHECKED Roger Tsai	03/18/2011				
ANGULAR ±1°	APPROVED Arron Lin	03/18/2011		SCALE NA	SHEET 1 OF 2	
UNLESS OTHERWISE SPECIFIED	DWG TYPE CUST DWG	PROJECT CODE OTHER				DWG No. GSB3164X1CEU
						REV. B

1 2 3 4 5 6 7 8

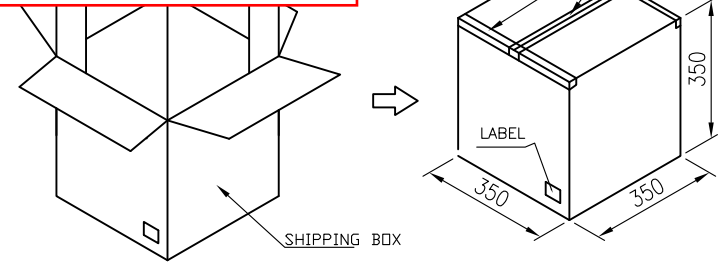
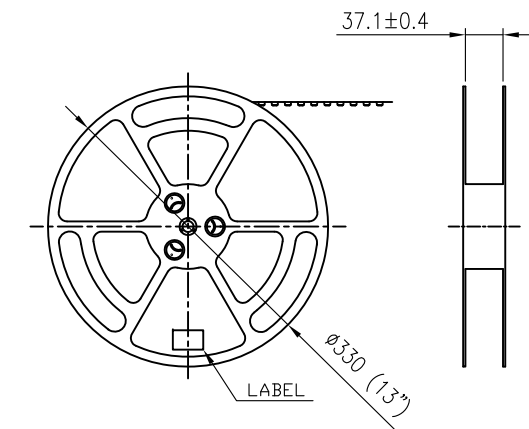
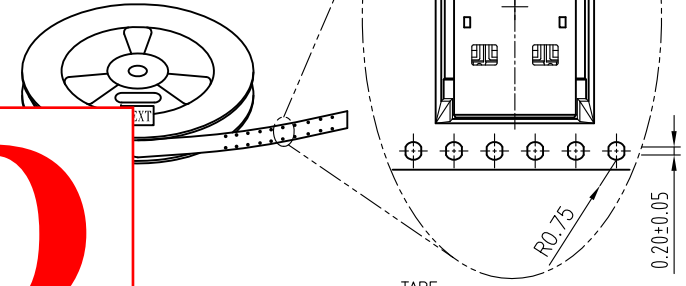
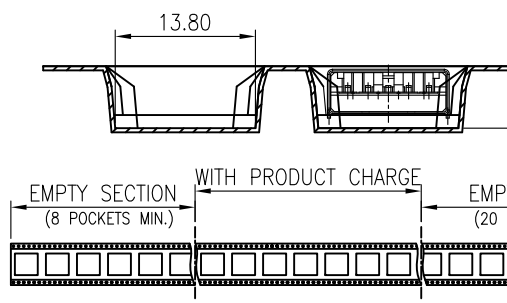
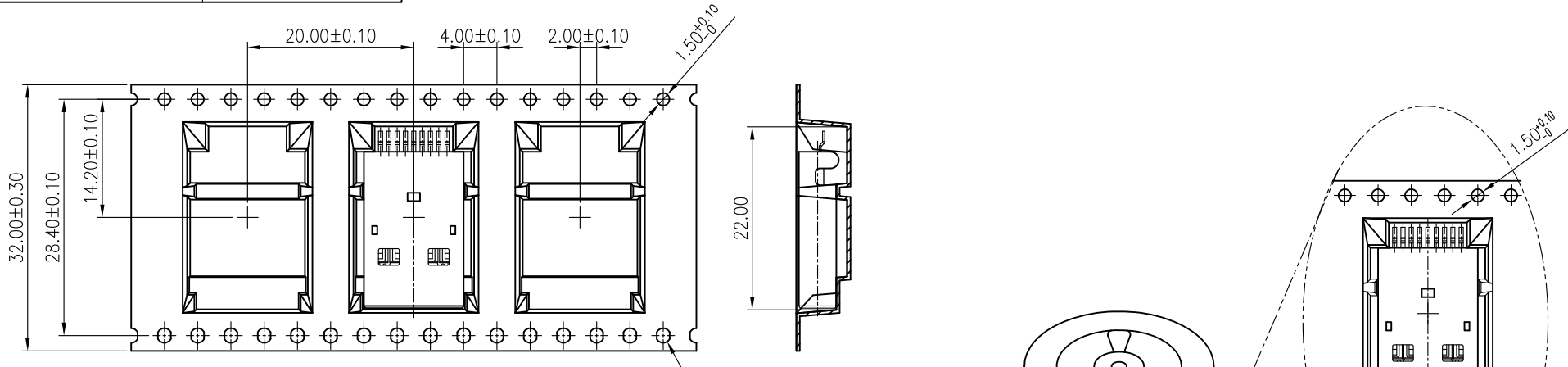
This document is the property of Amphenol Corporation and is delivered on the express condition that is not to be disclosed, reproduced or used, in whole or in part, for manufacture or sale by anyone other than Amphenol Corporation without its prior consent, and that no right is granted to disclose or to use any information in this document.

The marking on this product doesn't contain environmental hazardous materials per Material Specification 55-00259 for Sony GP compliant or per directive 2002/95/EC for RoHS compliant.

REVISIONS				
SYM	ECN No.	DESCRIPTION	DATE	APPROVED
A		APPROVED REVISION	10/19/2010	Arron Lin
B	NE-11036	ADDED DATE CODE	03/18/2011	Arron Lin

ORIGINAL

VOID



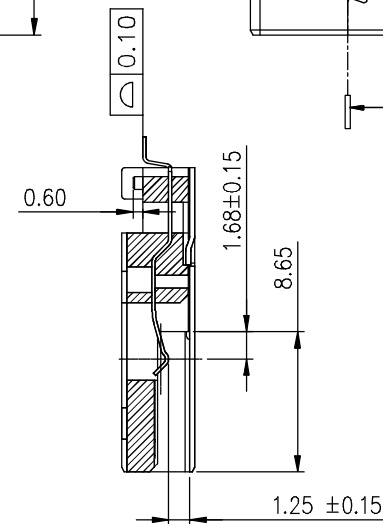
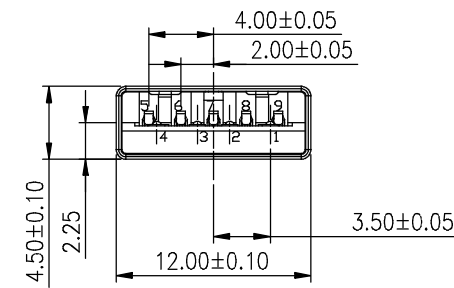
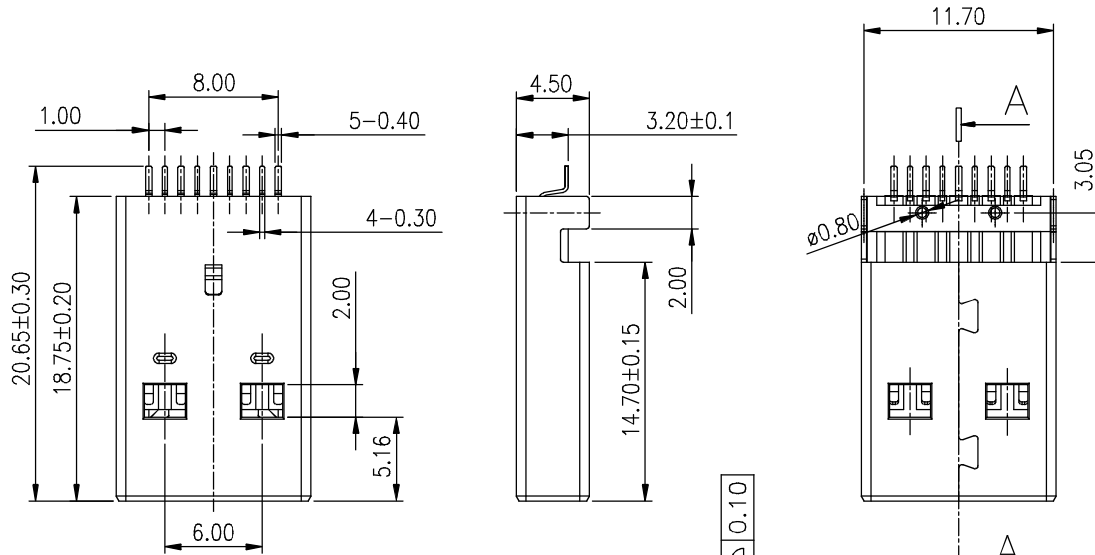
16.5	12.12	500	9	4500	GSB3164X1CEU
GROSS WEIGHT	NET WEIGHT	PCS/REEL	REELS/CARTON	QUANTITY	PART NUMBER

TOLERANCE	APPROVALS	DATE	TITLE		Amphenol®		
X. ±0.30	DRAWN Debby Hung	03/18/2011	USB3.0 CONNECTOR STANDARD A TYPE, PLUG R/A SMT		Amphenol Corporation Amphenol Taiwan Corporation		
X.X ±0.20	CHECKED Roger Tsai	03/18/2011					
X.XXX ±0.10	APPROVED Arron Lin	03/18/2011					
ANGULAR ±1°	DWG TYPE CUST DWG	PROJECT CODE OTHER	UNIT mm	SCALE NA	SIZE A3	PART No. GSB3164X1CEU	
UNLESS OTHERWISE SPECIFIED			UNIT mm	SCALE NA	SHEET 2 OF 2	DWG No. GSB3164X1CEU	REV. B

This document is the property of Amphenol Corporation and is delivered on the express condition that it is not to be disclosed, reproduced or used, in whole or in part, for manufacture or sale by anyone other than Amphenol Corporation without its prior consent, and that no right is granted to disclose or to use any information in this document.

The marking on this product doesn't contain environmental hazardous materials per Material Specification SS-00259 for Sony GP compliant or per directive 2011/65/EC for RoHS compliant.

REVISIONS				
SYM	ECN No.	DESCRIPTION	DATE	APPROVED
A		APPROVED REVISION	10/19/2010	Arron Lin
B	NE-11036	ADDED DATE CODE	03/18/2011	Arron Lin
CX1		ADDED PLATING OPTIONS	06/29/2012	Arron Lin
CX2	EDSR#5582	UPDATE DRAWING	06/02/2015	Arron Lin



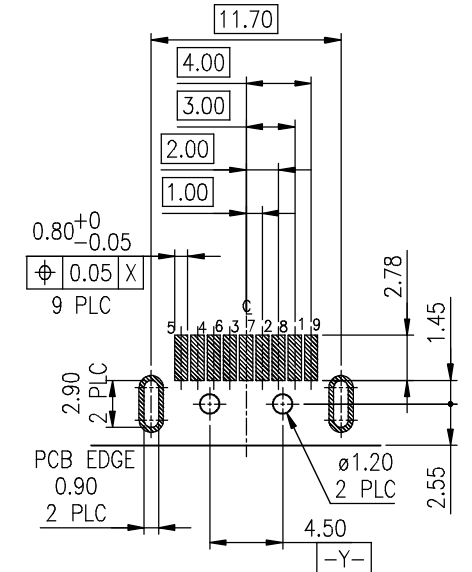
SECTION A-A

NOTES:

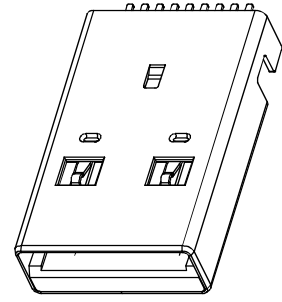
- INSULATOR: HIGH TEMPERATURE THERMAL LCP, UL 94V-0, COLOR- BLUE
- CONTACT: PHOSPHOR BRONZE, GOLD PLATING 2 μ" THICKNESS MIN. OVER PALLADIUM NICKEL PLATING 30μ" THICKNESS MIN ON CONTACT AREA; 100u" MIN. MATTE TIN PLATED OR 2u" MIN. GOLD PLATING THICKNESS. ON SOLDERING TAIL, 80u" MIN. NICKEL UNDER-PLATING OVERALL
- SHELL: SPCC, 50μ" MIN. NICKEL OVER 30μ" MIN. CU PLATED OVERALL
- THIS PRODUCT DOESN'T CONTAIN ENVIRONMENTAL HAZARDOUS MATERIALS PER DIRECTIVE 2011/65/EC FOR RoHS.
- THE PACKING MUST BE PER Amphenol PACKING SPECIFICATION PKS-0001.

PART NO. GSB3164X1CEU

- PLATING OF SOLDERING AREA
- 30u" GOLD
 - 100u" MATTE TIN
 - 2u" MIN. GOLD



RECOMMEND P.C.B LAYOUT GENERAL TOLERANCE±0.05 (COMPONENT SIDE)

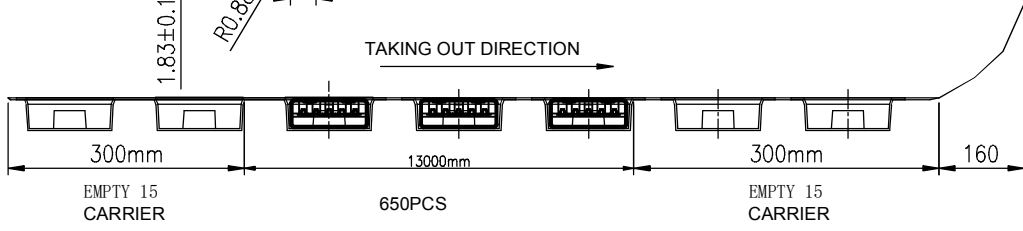
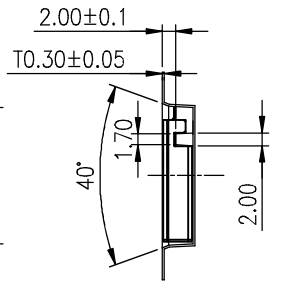
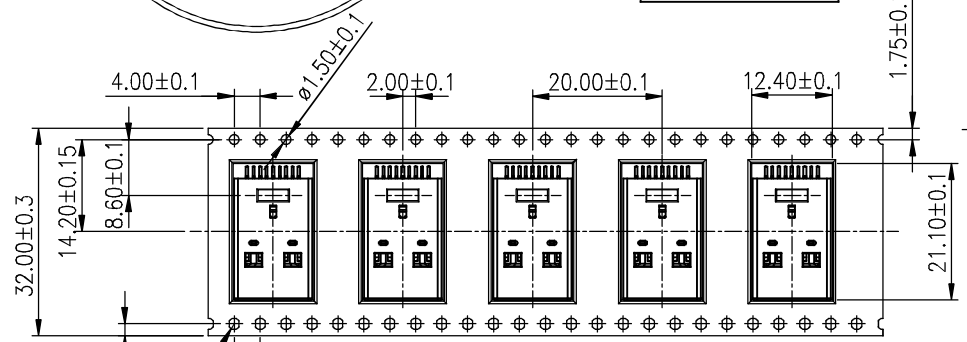
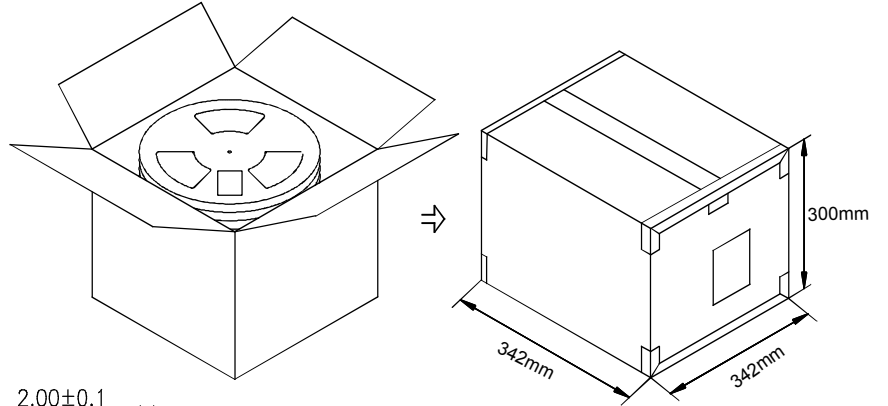
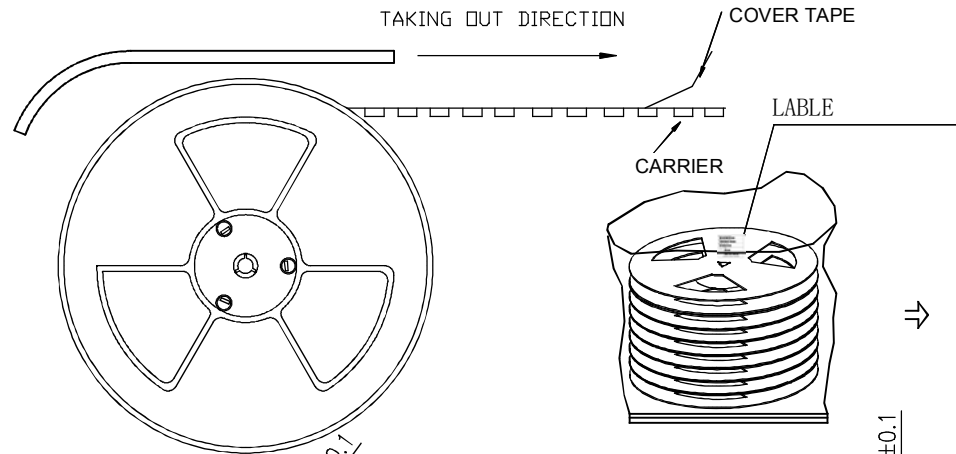


TOLERANCE	APPROVALS	DATE	TITLE		PART No.			
X. ±0.30	DRAWN Debby Hung	06/02/2015	USB3.0 CONNECTOR STANDARD A TYPE, PLUG R/A SMT		GSB3164X1CEU			
X.X ±0.20					CHECKED Roger Tsai	06/02/2015	Amphenol® Amphenol Corporation Amphenol Taiwan Corporation	
X.XX ±0.20	APPROVED Arron Lin	06/02/2015	UNIT mm SIZE A3				PART No. GSB3164X1CEU	
X.XXX ±0.10					DVG TYPE CUST DWG PROJECT CODE OTHER		SCALE NA SHEET 1 OF 2	
ANGULAR ±1°			UNLESS OTHERWISE SPECIFIED					

This document is the property of Amphenol Corporation and is delivered on the express condition that it is not to be disclosed, reproduced or used, in whole or in part, for manufacture or sale by anyone other than Amphenol Corporation without its prior consent, and that no right is granted to disclose or to use any information in this document.

The marking on this product doesn't contain environmental hazardous materials per Material Specification SS-00259 for Sony GP compliant or per directive 2011/65/EC for RoHS compliant.

REVISIONS				
SYM	ECN No.	DESCRIPTION	DATE	APPROVED
A		APPROVED REVISION	10/19/2010	Arron Lin
B	NE-11036	ADDED DATE CODE	03/18/2011	Arron Lin
CX1		ADDED PLATING OPTIONS	06/29/2012	Arron Lin
CX2	EDSR#5582	UPDATE DRAWING	06/02/2015	Arron Lin



X.X	X.X	650	8	5200	GSB3164X1CEU
GROSS WEIGHT	NET WEIGHT	PCS/REEL	REELS/CARTON	QUANTITY	PART NUMBER

TOLERANCE	APPROVALS	DATE
X. ±0.30	DRAWN Debby Hung	06/02/2015
X.X ±0.20	CHECKED Roger Tsai	06/02/2015
X.XX ±0.10	APPROVED Arron Lin	06/02/2015
ANGULAR ±1°	DWG TYPE CUST DWG	PROJECT CODE OTHER
UNLESS OTHERWISE SPECIFIED		

TITLE		UNIT		SIZE	PART No.
USB3.0 CONNECTOR		mm		A3	GSB3164X1CEU
STANDARD A TYPE, PLUG		SCALE		SHEET	DWG No.
R/A SMT		NA		2 OF 2	GSB3164X1CEU
					REV. CX2

Amphenol[®]
Amphenol Corporation
Amphenol Taiwan Corporation

