

Würth Elektronik eiSos GmbH & Co. KG

EMC & Inductive Solutions

Max-Eyth-Straße 1 · 74638 Waldenburg · Germany

Tel. +49 (0) 79 42 945-0 · Fax +49 (0) 79 42 945-400

eiSos@we-online.de · www.we-online.de



Product / Process Change Notification (PCN)

- Major change
 Minor change

PCN #: PCN_IndSL_20200717

Affected Series: WE-SL; 74420X

PCN Date: April 17, 2020

Effective Date: July 17, 2020

Change Category:

- Equipment / Location
 General Data
 Material
 Process
 Product Design
 Shipping / Packaging
 Supplier
 Software

Contact: Product Management

Phone: +49 (0) 7942 - 945 5001

Fax: +49 (0) 7942 - 945 5179

E-Mail: pcn.eisos@we-online.com

Data Sheet Change:

Yes No

Attachment:

Yes No

DESCRIPTION AND PURPOSE OF CHANGE:

To ensure an improved product assembly, Würth Elektronik changes the design of the case to improve the detection rate for automatic optical inspection (AOI) of the solder joint at customer side.

To ensure the availability of product, Würth Elektronik adds a second source for the plastic material. The released material is the LCP-KB40BM which is an equivalent material to the LCP-E4008.

Products after product change with effective date of July 17th, 2020 are available with the earliest Date Code 2020-07-13.

The affected parts numbers are:

- 744201
- 744202
- 744203
- 744204
- 744205
- 744206
- 744207

There will be no change in fit, function, quality or reliability of the product.

Würth Elektronik eiSos GmbH & Co. KG

EMC & Inductive Solutions

Max-Eyth-Straße 1 · 74638 Waldenburg · Germany

Tel. +49 (0) 79 42 945-0 · Fax +49 (0) 79 42 945-400

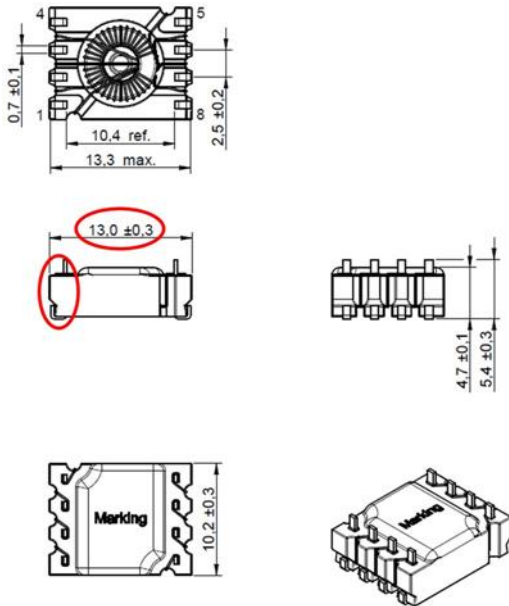
eiSos@we-online.de · www.we-online.de



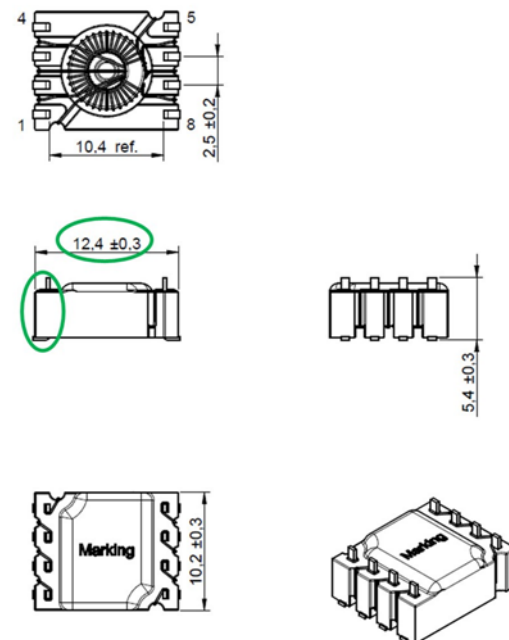
DETAIL OF CHANGE:

The previous case design difficulties the AOI for the solder joint, therefore the case needed to be reduced as well as having some redesign of the pads to avoid the creation of shadows on the solder joint. Below the detailed change of the case.

Before change



After change



Würth Elektronik eiSos GmbH & Co. KG

EMC & Inductive Solutions

Max-Eyth-Straße 1 · 74638 Waldenburg · Germany

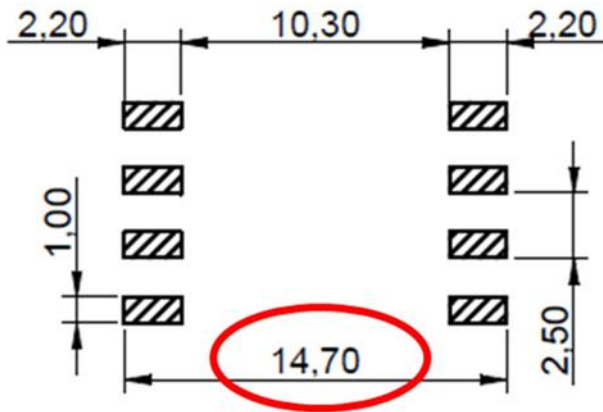
Tel. +49(0)79 42 945-0 · Fax +49(0)79 42 945-400

eiSos@we-online.de · www.we-online.de

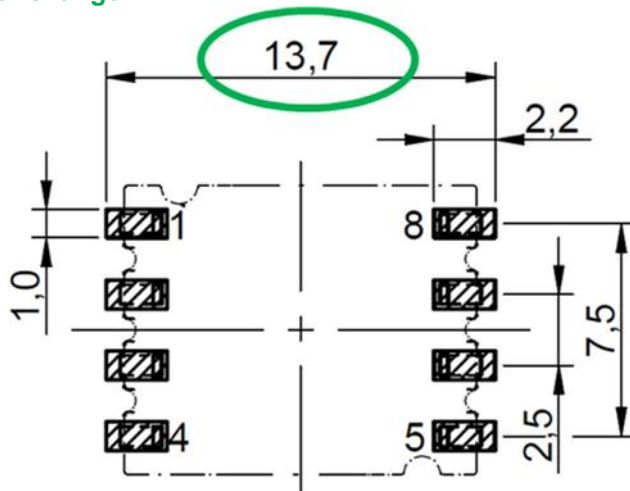


The part is still compatible with the old land pattern, but for optimal detection through AOI we defined a new land pattern which can be used, and will be implemented as recommended in the datasheet.

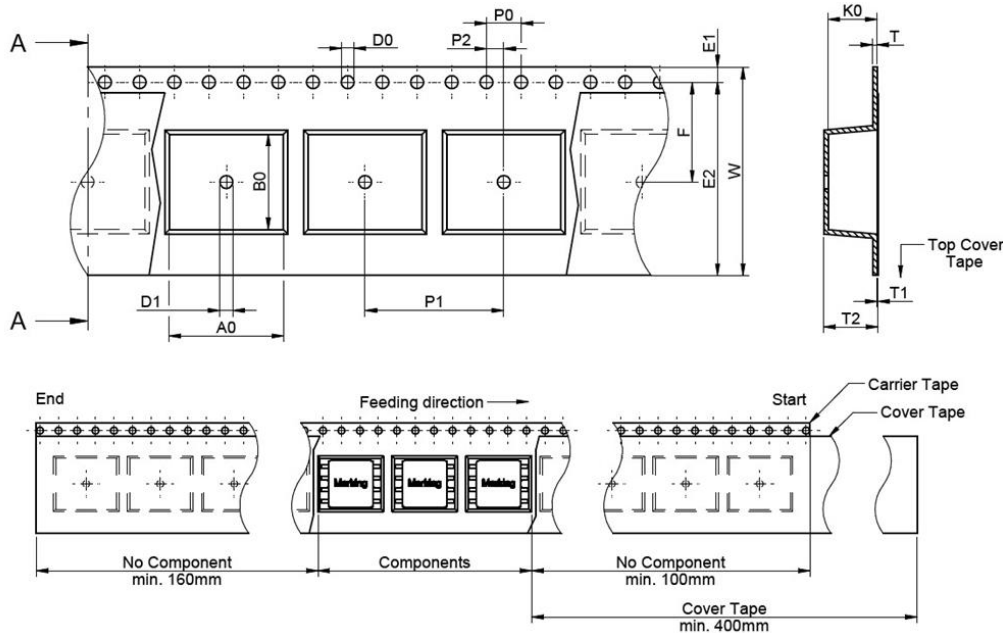
Before change



After change



The carrier tape changes also slightly the dimensions. Below the detailed change:



packaging is referred to the international standard IEC 60286-3:2013

Before change

A0	B0	W	T	T1	T2	K0	P0	P1	P2	D0	D1	E1	E2	F	Tape	VPE/Packaging unit
±0,1	±0,1	+0,3/-0,1	±0,1	max.	typ.	typ.	±0,1	±0,1	±0,05	+0,1/-0,0	min.	±0,1	min.	±0,05		
13,40	10,50	24,00	0,50	0,10	6,25	6,15	4,00	16,00	2,00	1,50	1,50	1,75	22,25	11,50	Polystyrene	600

After change

A0	B0	W	T	T1	T2	K0	P0	P1	P2	D0	D1	E1	E2	F	Tape	VPE/Packaging unit
±0,1	±0,1	±0,3	±0,1	max.	typ.	typ.	±0,1	±0,1	±0,1	+0,1/-0,0	min.	±0,1	min.	±0,1		
13,00	10,4	24,00	0,50	0,10	6,25	6,15	4,00	16,00	2,00	1,50	1,50	1,75	22,25	11,50	Polystyrene	600

The LCP-KB40BM is an equivalent material to the currently released LCP-E4008. The LCP-KB40BM is now released as a second source.

RELIABILITY / QUALIFICATION SUMMARY:

- Dip & look test / J-STD-002D
- Steam aging test / internal specifications
- Push off test / Internal specifications
- Terminal strength test / IEC 60068-2-21
- External visual / MIL-STD-883-2009
- Physical Dimension / JESD22 Method JB-100
- Mechanical shock / MIL-STD-202 Method 213