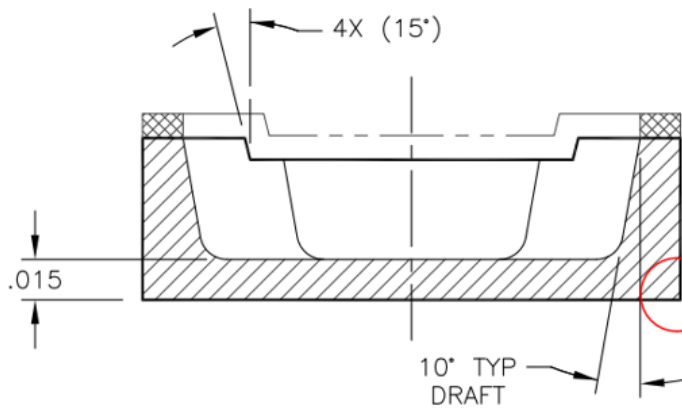


PCN Number: PCN-01150		PCN Date: 5/18/2018
Title: Change of PT-0006235 – Ceramic Lid used on NPT1012B and NPTB00025AB/B		
Proposed first Ship Date: 6/30/2018	Estimated Qualification Completion: 5/18/2018	
Proposed last Ship Date:		
Change Classification:	Major <input type="checkbox"/>	Minor <input checked="" type="checkbox"/>
Change Type:		
Assembly Site <input type="checkbox"/>	Design <input type="checkbox"/>	Electrical Specification <input type="checkbox"/>
Test Site <input type="checkbox"/>	Assembly Process <input type="checkbox"/>	Mechanical Specification <input checked="" type="checkbox"/>
Test Process <input type="checkbox"/>	Assembly Materials <input type="checkbox"/>	Packing/Shipping/Labeling <input type="checkbox"/>
PCN Details		
Description of Change:		
PT-0006235 being procured from 2 nd source, also chamfer being added to the lid from 2 nd source.		
Reason for Change:		
Adding 2 nd source will help reduce the lead time and minimize stock out. Chamfer is added to help the manufacturability of this part.		
Products Affected:		
MACOM Part Numbers: PT-0006235, NPT1012B, NPTB00025AB/B		
Anticipated impact on Fit, Form, Function:		
None, please refer to data in appendix for details.		
Changes to product identification resulting from this PCN:		
None.		
Material Declaration updated due to this change:		Yes <input type="checkbox"/> No <input checked="" type="checkbox"/>

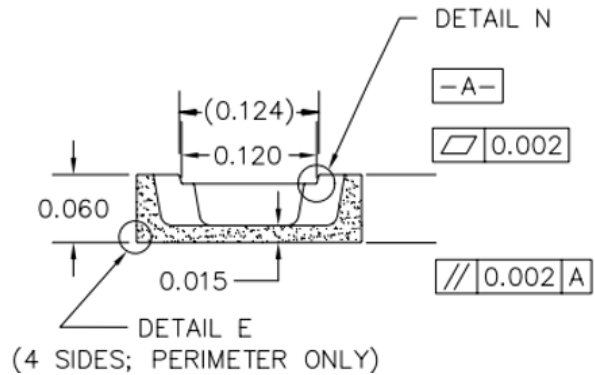
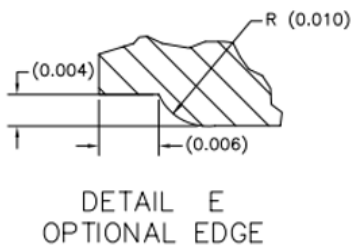
Appendix

Detail of change



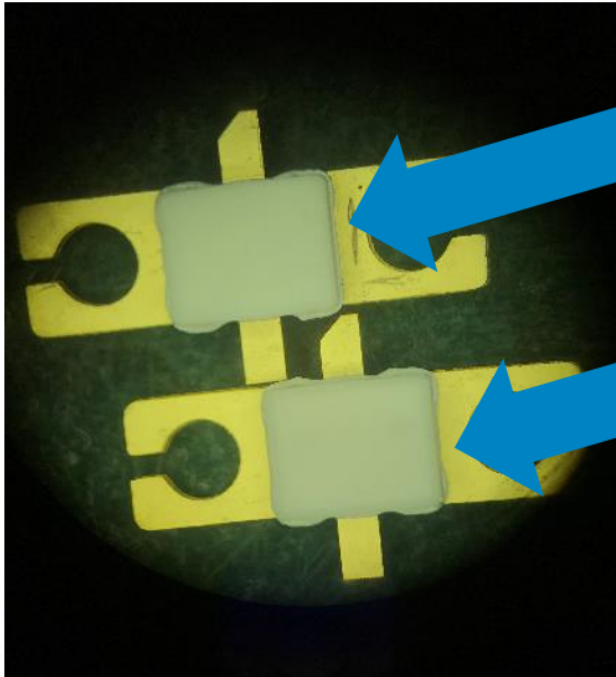
VENDOR'S OPTION:

ADD DRAWING OF OPTIONAL EDGE
 DETAIL TO
 CORNER OF LID, 4 SIDES,
 PERIMETER ONLY. SEE DETAIL "E"
 ON RJR DRAWING 4262 (attached).



Note: There's no dimension, material (ceramic or epoxy) change involved in new lid, other than chamfer option being added.

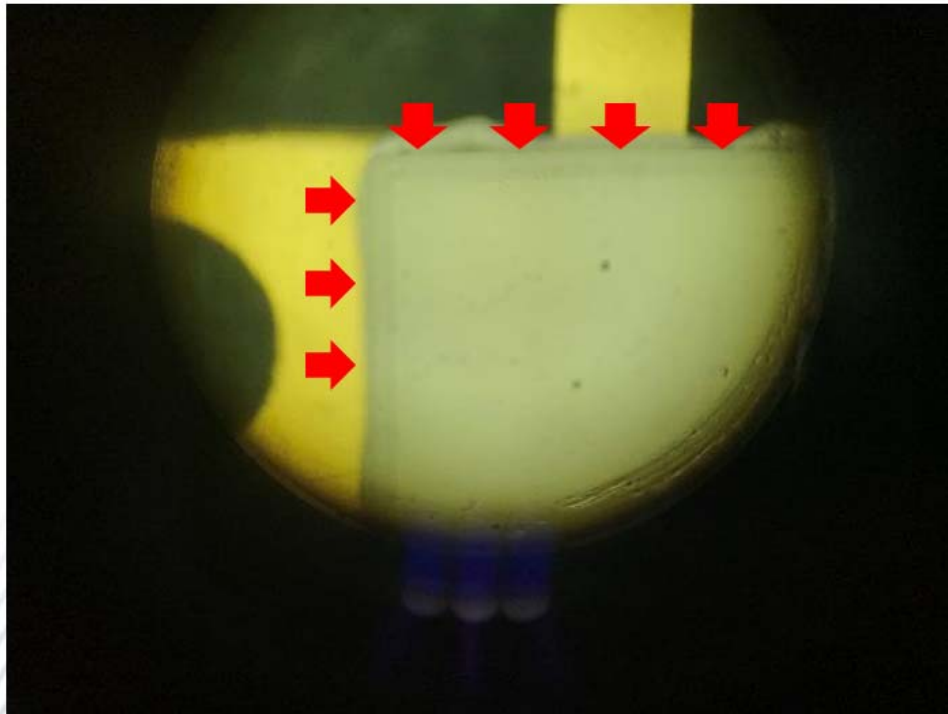
Appendix



Original Lid

New Lid

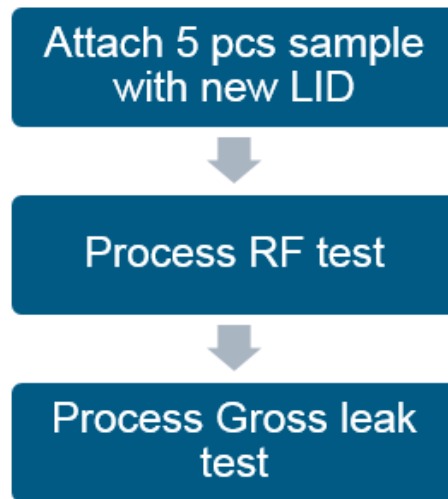
It's hard to see any difference
between 2 lids under 20x
microscope



Chamfer on new lid under 30 x micro scope

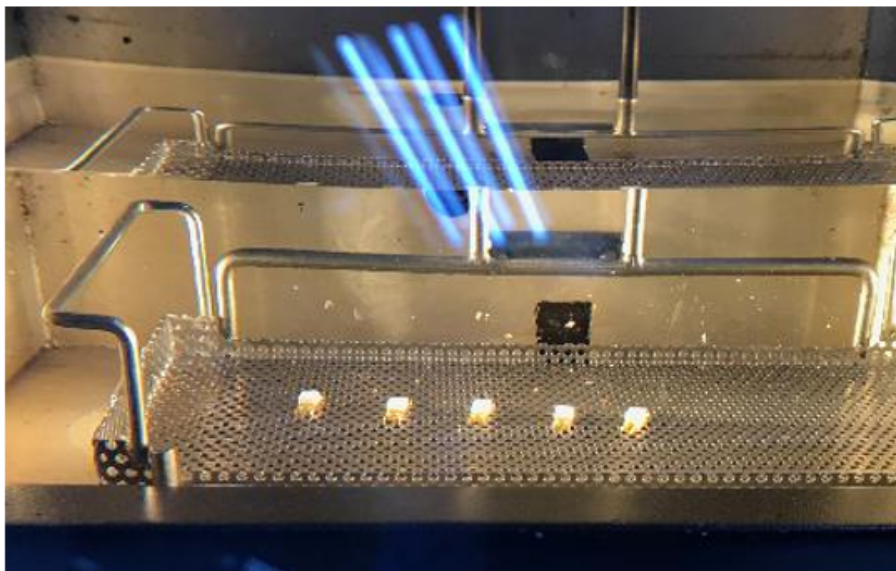
Appendix

Evaluation Flow



Gross Leak Test

New Lid



No bubble observed.

MACOM Technology Solutions Inc.4000 MacArthur Blvd., East Tower,
Newport Beach, CA 92660

+1 (949) 579-3000

www.macom.com



Appendix

Electrical Performances

USL	26	0	30	0	0.55	7	17	37	47	17	
LSL	24	-8	0.5	-8	0	4.5	12	32	43	8	
SN	Board_Temp	IGLK_VGN8_VD0	IG_VGP1_VD0	IGBV_100V	RDON	IDMAX	G_SS	Pout_SS	PSAT	GSAT	P/F
M1234G123_0001 (new LID)	24.8	-0.179	20.656	-0.34	0.382	5.474	12.38	32.36	44.4	9.3	PASS
M1234G123_0002 (new LID)	24.8	-0.122	18.883	-0.498	0.36	5.672	12.37	32.38	44.46	9.18	PASS
M1234G123_0003 (new LID)	24.9	-0.023	19.682	-0.061	0.457	4.831	12.69	32.69	44.1	10.04	PASS
M1234G123_0004 (new LID)	24.8	-0.214	18.044	-1.341	0.323	6.085	12.64	32.65	44.29	9.16	PASS
M1234G123_0005 (new LID)	24.6	-0.037	16.92	-0.11	0.396	5.218	12.77	32.78	44.25	9.48	PASS
M822G2241_0001 (Org LID)	24.8	-0.103	18.502	-0.275	0.384	5.427	12.29	32.27	44.5	9.37	PASS
M822G2241_0002 (Org LID)	24.8	-0.091	17.94	-0.428	0.363	5.659	12.53	32.54	44.34	9.25	PASS
M822G2241_0003 (Org LID)	24.9	-0.022	19.57	-0.057	0.459	4.821	12.91	32.92	43.98	10.1	PASS
M822G2241_0004 (Org LID)	24.7	-0.126	16.166	-1.062	0.327	6.051	12.62	32.63	44.37	9.2	PASS
M822G2241_0005 (Org LID)	25	-0.035	16.863	-0.099	0.4	5.228	12.33	32.34	44.44	9.27	PASS

No difference revealed between samples capped with old lid or new lid.