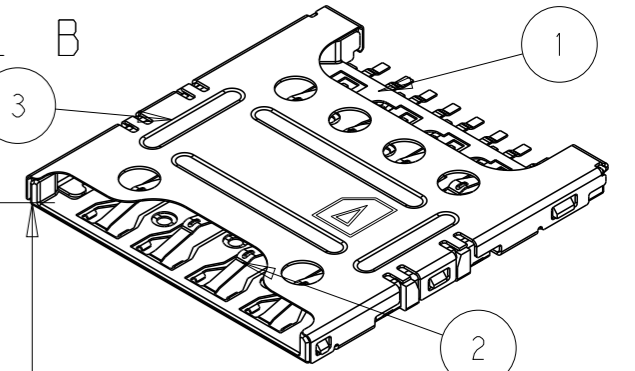
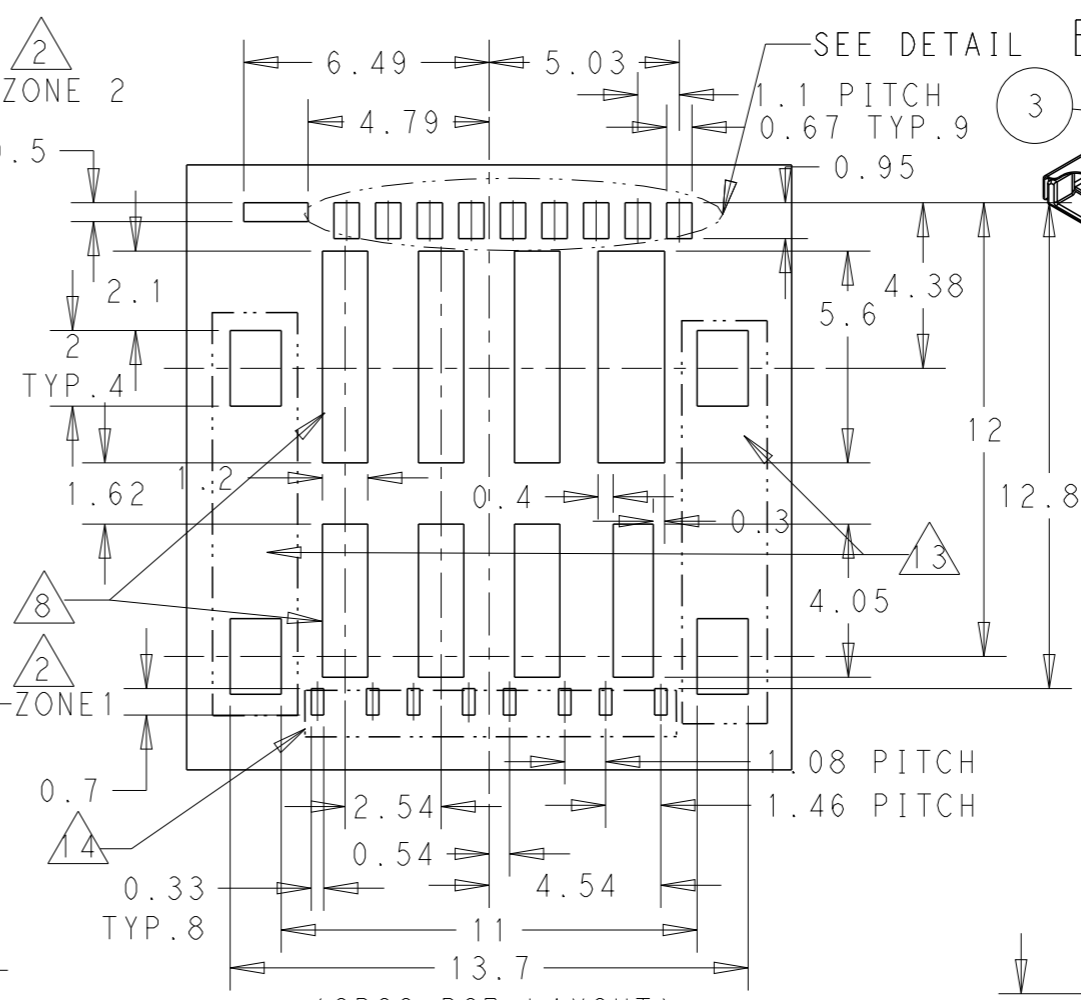
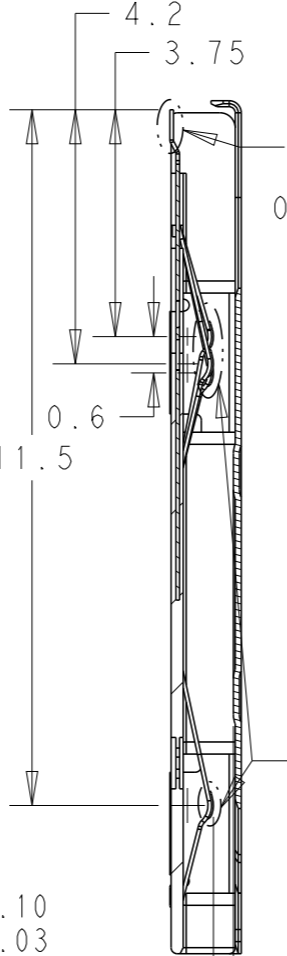
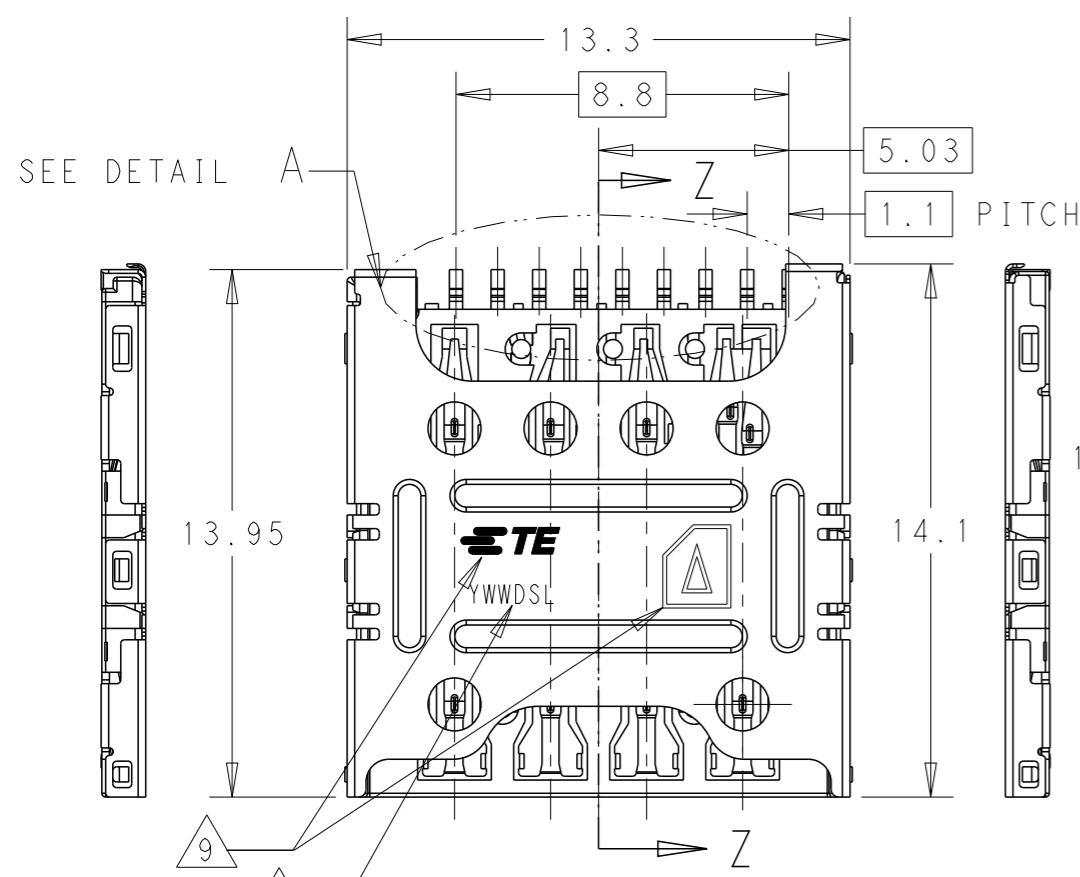


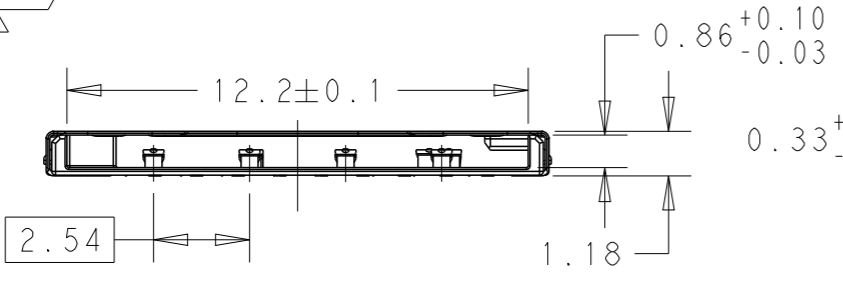
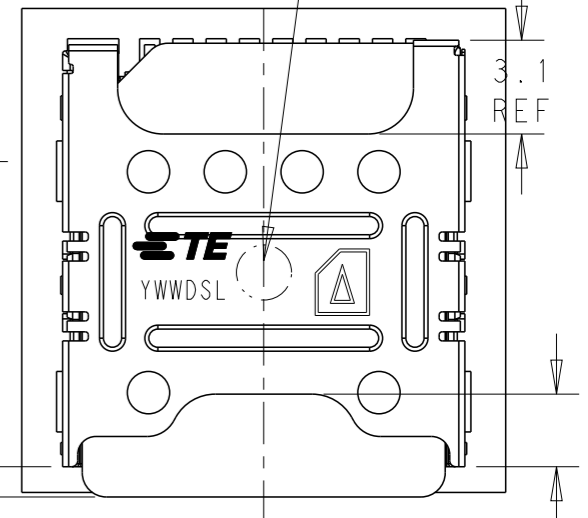
THIS DRAWING IS UNPUBLISHED. RELEASED FOR PUBLICATION 20  
© COPYRIGHT 20 BY - ALL RIGHTS RESERVED.

P		LTR		DESCRIPTION	DATE	DWN	APVD
A		THE OFFICIAL VERSION RELEASED		19APR17	R.Z	C.W	

8POS AS SHOWN



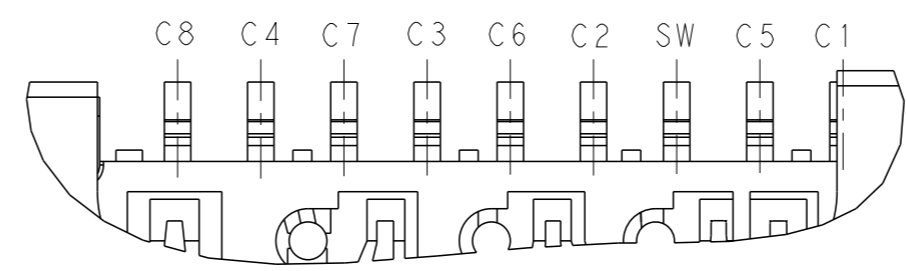
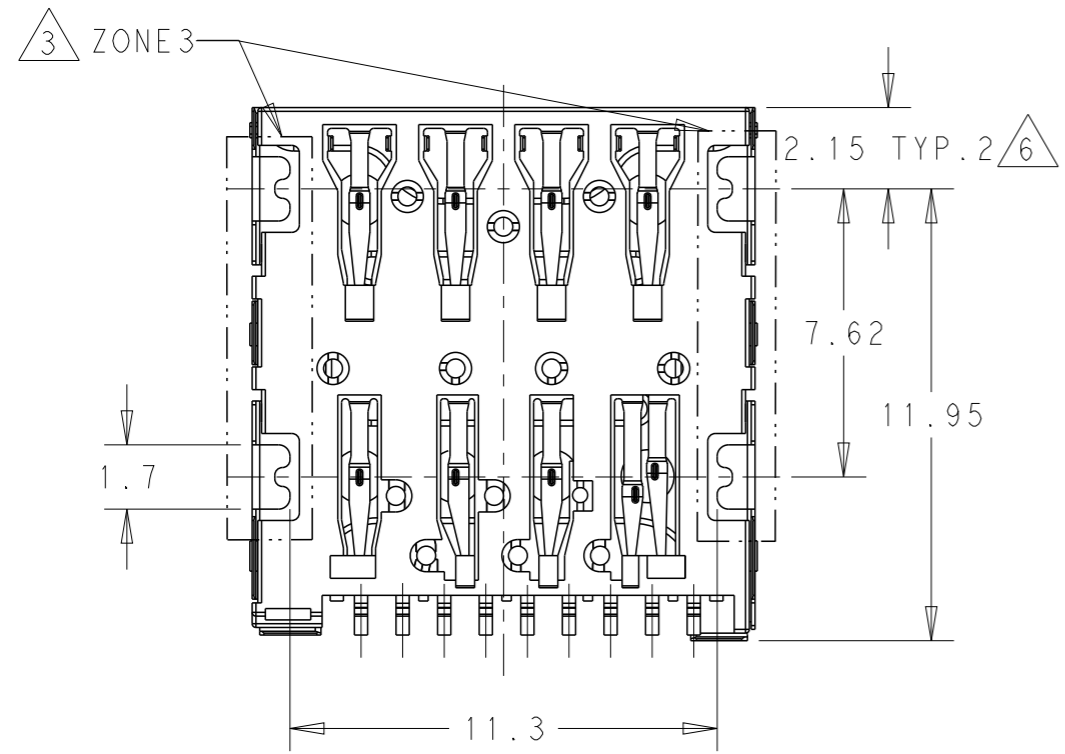
VACUUM AREA (Ø2.0)



SECTION Z-Z SCALE 8:1

(8POS PCB LAYOUT) TOLERANCE: ±0.05

(MATING CONDITION)



DETAIL A PIN NO. SCALE 10:1

2199337-5 (8POS)	3	SHELL	3
	2	CONTACT	2
	1	HOUSING	1
P/N	NO	COMPONENT	MATERIAL/FINISH

THIS DRAWING IS A CONTROLLED DOCUMENT.		DWN	B.Wong	27-Mar-14
DIMENSIONS: mm		CHK	S.Li	27-Mar-14
TOLERANCES UNLESS OTHERWISE SPECIFIED:		APVD	C.Wang	27-Mar-14
0 PLC	±0.2	PRODUCT SPEC	108-115082	
1 PLC	±0.2	APPLICATION SPEC	-	
2 PLC	±0.2	WEIGHT	0.195g	
3 PLC	±0.2	CUSTOMER DRAWING	-	
4 PLC	±0.2	SCALE	5:1	
ANGLES	±	SHEET	1 OF 4	
FINISH	-	REV	A	

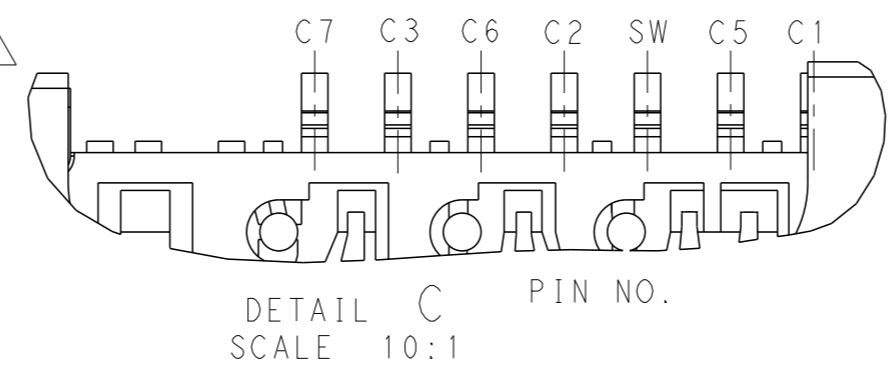
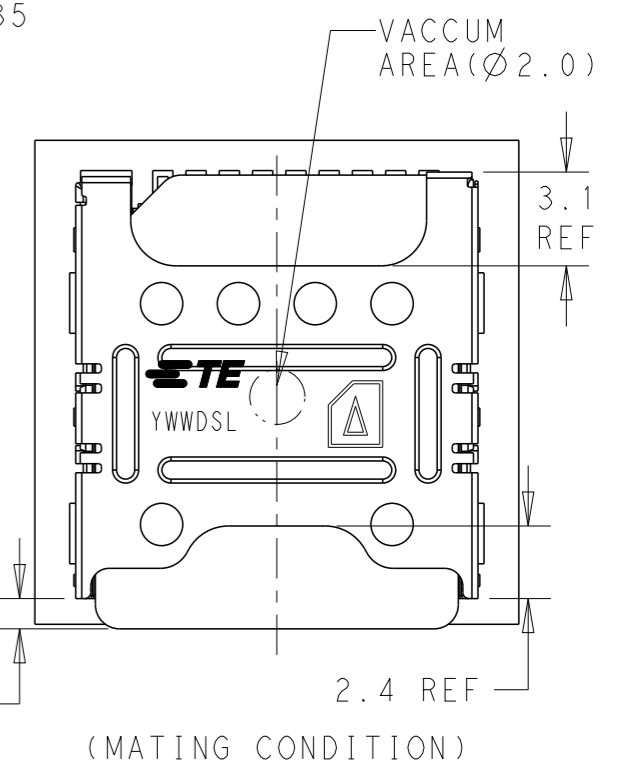
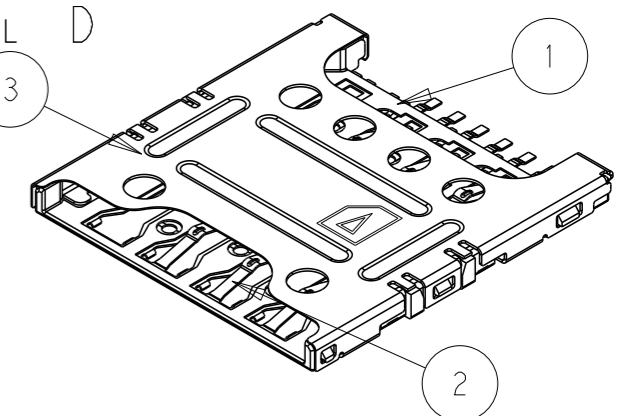
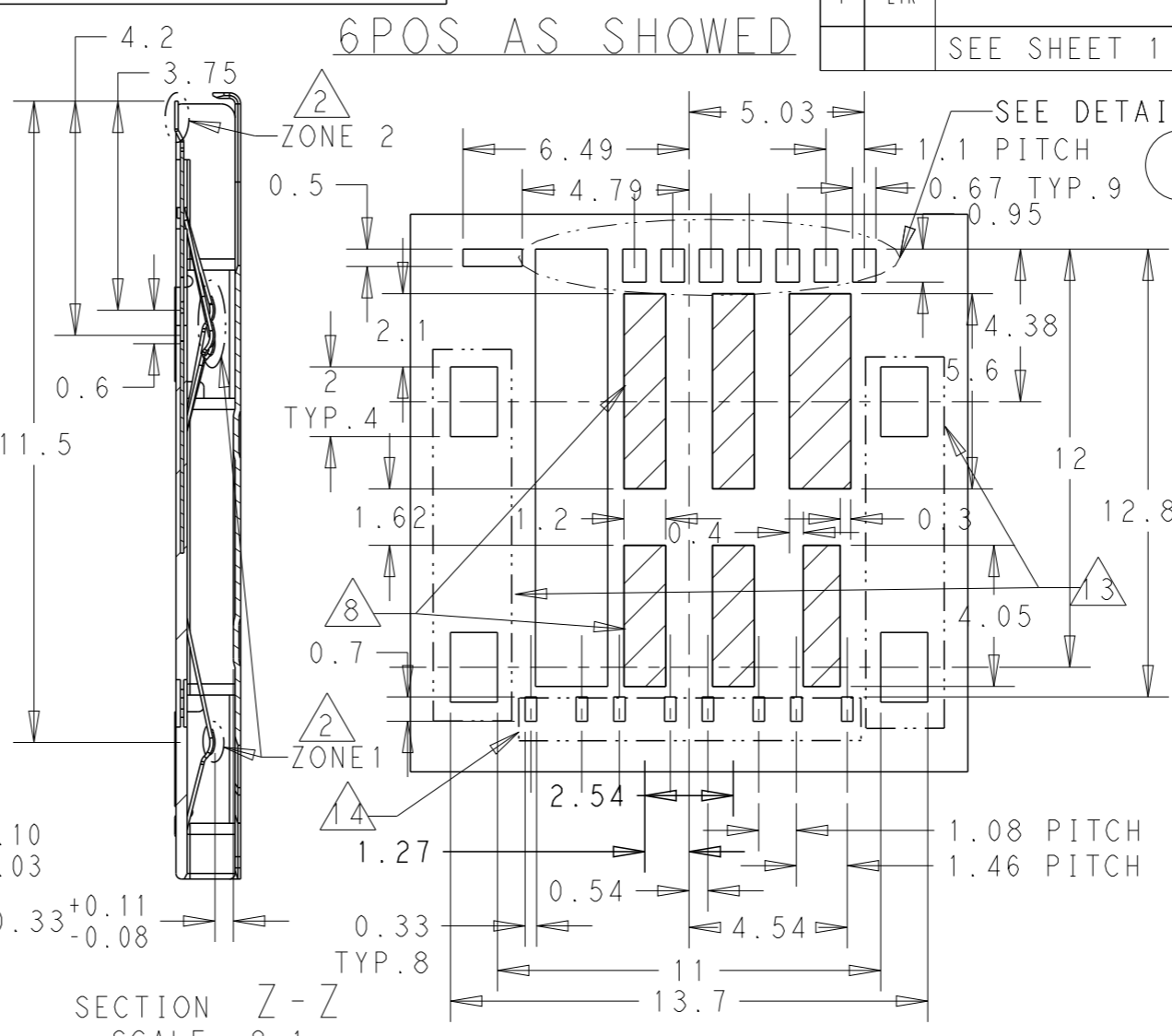
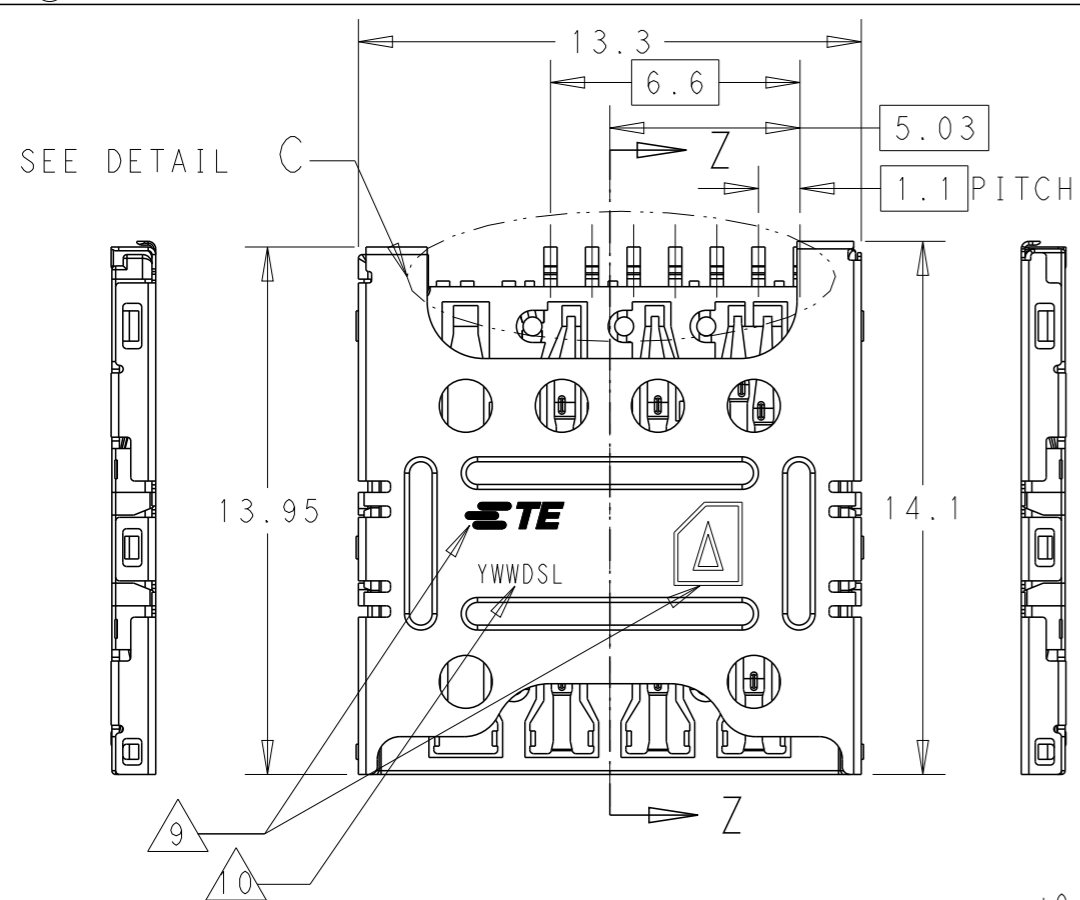
**STE** TE Connectivity

ASSEMBLY FOR MICRO SIM H1.18 PUSH-PULL

SIZE: A3 CAGE CODE: 00779 DRAWING NO: 2199337 RESTRICTED TO: -

THIS DRAWING IS UNPUBLISHED. RELEASED FOR PUBLICATION 20  
© COPYRIGHT 20 BY - ALL RIGHTS RESERVED.

P		LTR		DESCRIPTION	DATE	DWN	APVD
				SEE SHEET 1			



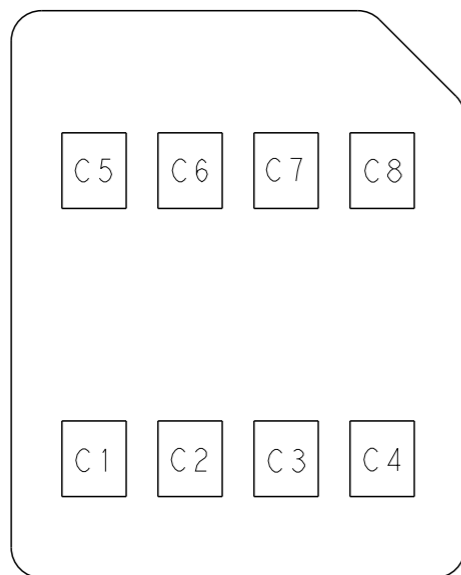
P/N	NO	COMPONENT	MATERIAL/FINISH
2199337-2 (6POS)	3	SHELL	3
	2	CONTACT	2
	1	HOUSING	1

THIS DRAWING IS A CONTROLLED DOCUMENT.		DWN B. Wong 27-Mar-14	TE Connectivity NAME ASSEMBLY FOR MICRO SIM H1.18 PUSH-PULL SIZE A3 CAGE CODE - DRAWING NO C-2199337 RESTRICTED TO - SCALE 5:1 SHEET 2 OF 4 REV A
DIMENSIONS: mm		CHK S. Li 27-Mar-14	
TOLERANCES UNLESS OTHERWISE SPECIFIED:		APVD C. Wang 27-Mar-14	
0 PLC ±0.2 1 PLC ±0.2 2 PLC ±0.2 3 PLC ±0.2 4 PLC ±0.2 ANGLES ± MATERIAL - FINISH -		PRODUCT SPEC -	
MATERIAL - FINISH -		APPLICATION SPEC -	WEIGHT -
CUSTOMER DRAWING		SCALE 5:1	SHEET 2 OF 4 REV A

REVISIONS

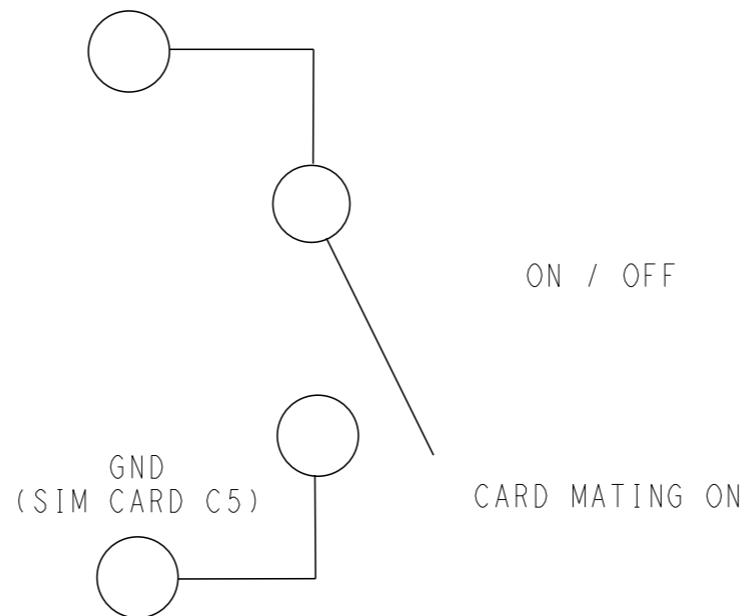
P	LTR	DESCRIPTION	DATE	DWN	APVD
		SEE SHEET 1			

0.76±0.08

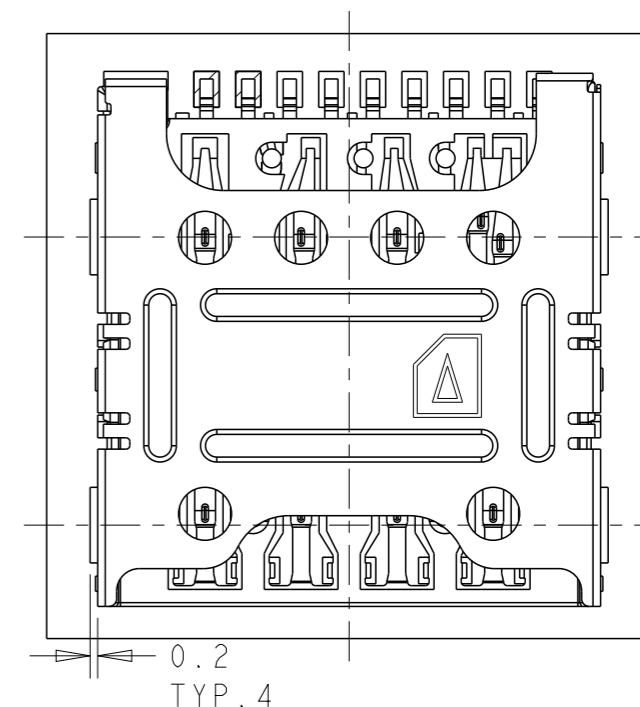


SIM CARD PAD LAYOUT

DETECTION SWITCH(SW)



CIRCUIT DRAWING OF SWITCH

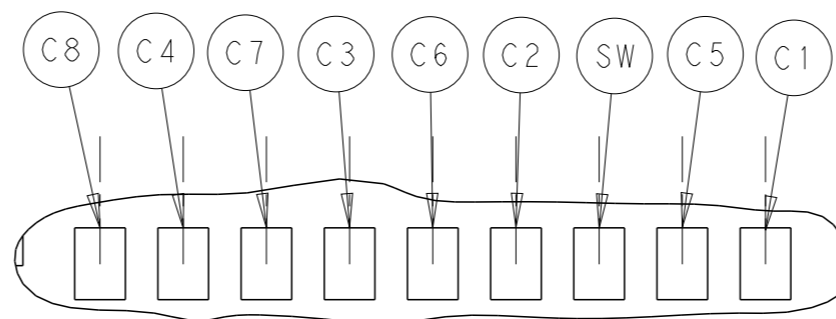


MATCH WITH PCB LAYOUT

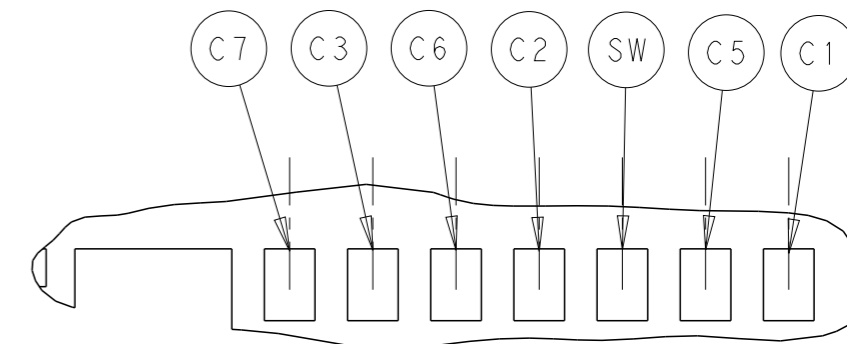
SCALE <5:1>

SW	DETECTION SWITCH
C8	RESERVED
C7	I/O
C6	VPP
C5	GND
C4	RESERVED
C3	CLK
C2	RST
C1	VCC
PIN No.	PIN NAME

SIM CARD PIN ASSIGNMENT




DETAIL B  
SCALE 10:1  
8POS TYPE



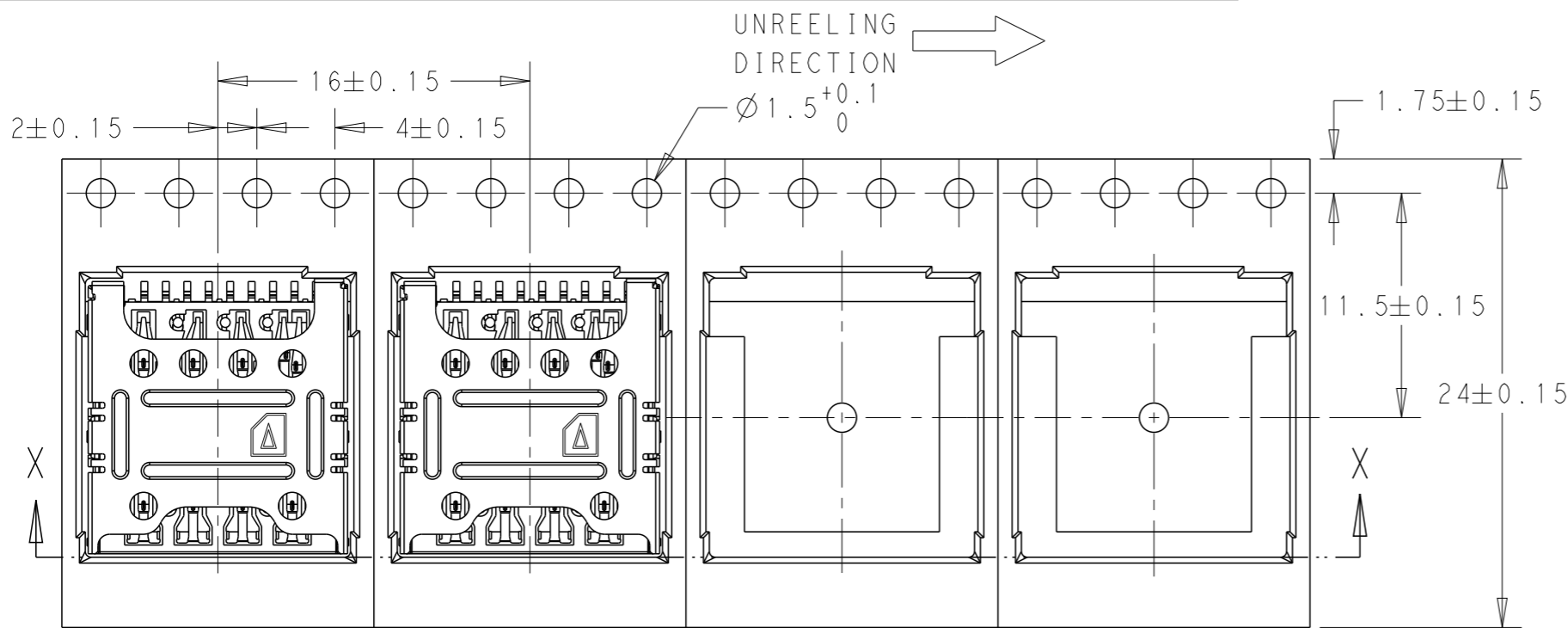
DETAIL D  
SCALE 10:1  
6POS TYPE

PCB LAYOUT(REFERENCE)  
(VIEW FROM CONNECTOR MOUNT SIDE)

THIS DRAWING IS A CONTROLLED DOCUMENT.		DWN B. Wong 27-Mar-14	 TE Connectivity	NAME		
DIMENSIONS: mm		CHK S. Li 27-Mar-14		ASSEMBLY FOR MICRO SIM H1.18 PUSH-PULL		
TOLERANCES UNLESS OTHERWISE SPECIFIED:		APVD C. Wang 27-Mar-14		PRODUCT SPEC	RESTRICTED TO	
0 PLC ±0.2 1 PLC ±0.2 2 PLC ±0.2 3 PLC ±0.2 4 PLC ±0.2 ANGLES ±-		APPLICATION SPEC		SIZE A3	CAGE CODE -	DRAWING NO C-2199337
MATERIAL		WEIGHT	SCALE 3:1		SHEET 3 OF 4	
-		-	CUSTOMER DRAWING		REV A	

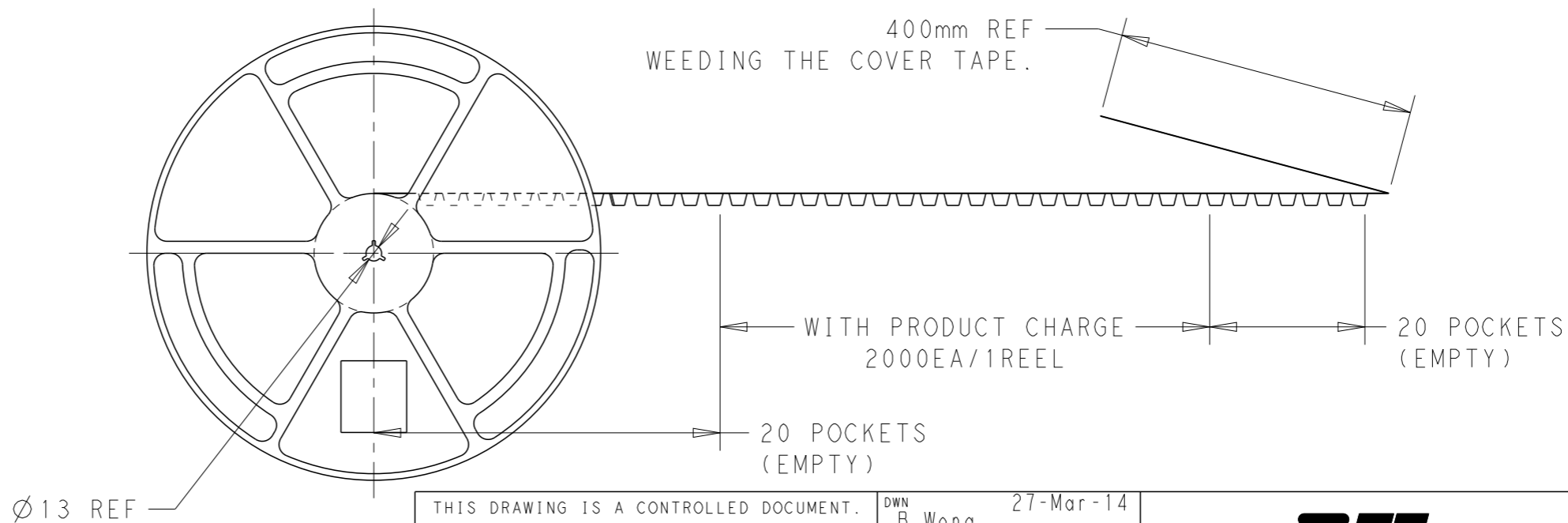
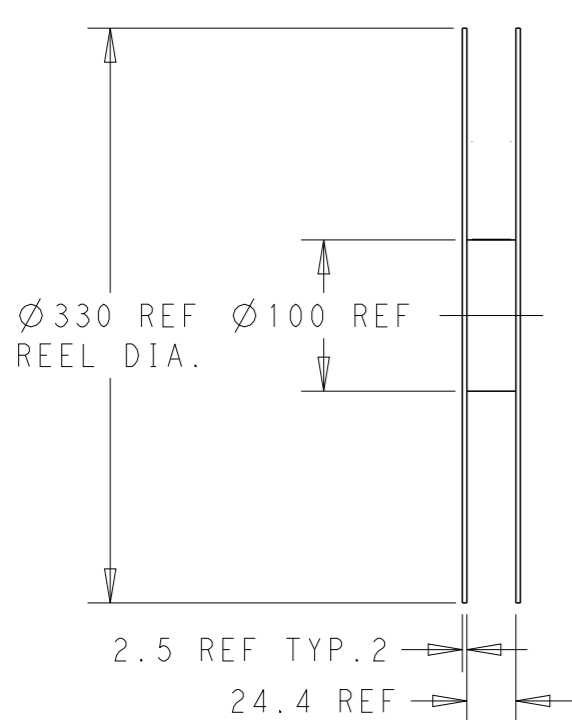
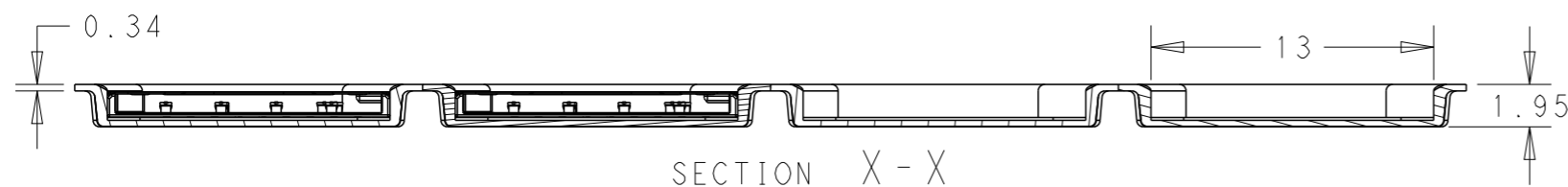
REVISIONS

P	LTR	DESCRIPTION	DATE	DWN	APVD
		SEE SHEET 1			



1. HOUSING MATERIAL : THERMO PLASTIC RESIN.
2. CONTACT MATERIAL : COPPER ALLOY.  
FINISH : 1.3um MIN. NICKEL UNDERPLATING ALL OVER, GOLD PLATING 0.3um MIN. ON ZONE 1, GOLD PLATING 0.05um MIN. ON ZONE 2.
3. SHELL MATERIAL : STAINLESS STEEL.  
FINISH : 1.3um MIN. NICKEL UNDERPLATING ALL OVER, TIN PLATING 1.0um MIN. ZONE 3.
4. COPLANARITY : 0.08MAX BEFORE IR.
5. COPLANARITY MEASURED ON 9 CONTACTS AND 5 CLIP PEGS IN ONE PASS.
6. DIMENTION MEASURED FROM PLASTIC TO CENTER OF CLIP PEGS.
7. EASY BROKEN BURR IS NOT PERMITTED.
8. NO STRIP-LINE AREA
9. TE LOGO, CARD INSERTION LOGO
10. DATE CODE : YWDSL (YEAR, WEEK , DAY, SHIFT, LINE)  
1.1 DO NOT CONTAIN ANY SUBSTANCE WHICH ARE SPECIFIED IN (OQA-2049)  
1.2 PACKING QUANTITY : 2000PCS/REEL  
1.3 GROUND PATTERN  
1.4 THIS PATTERN IS NOT GROUND.

SCALE 3:1



THIS DRAWING IS A CONTROLLED DOCUMENT.		DWN B. Wong 27-Mar-14	TE Connectivity				
DIMENSIONS: mm		CHK S. Li 27-Mar-14					
TOLERANCES UNLESS OTHERWISE SPECIFIED:		APVD C. Wang 27-Mar-14	NAME ASSEMBLY FOR MICRO SIM H1.18 PUSH-PULL				
0 PLC ±0.2 1 PLC ±0.2 2 PLC ±0.2 3 PLC ±0.2 4 PLC ±0.2 ANGLES ±-		PRODUCT SPEC -	SIZE A3	CAGE CODE -	DRAWING NO C-2199337	RESTRICTED TO -	
MATERIAL -		FINISH -	WEIGHT -	SCALE 3:1		SHEET 4 OF 4	REV A
		CUSTOMER DRAWING					