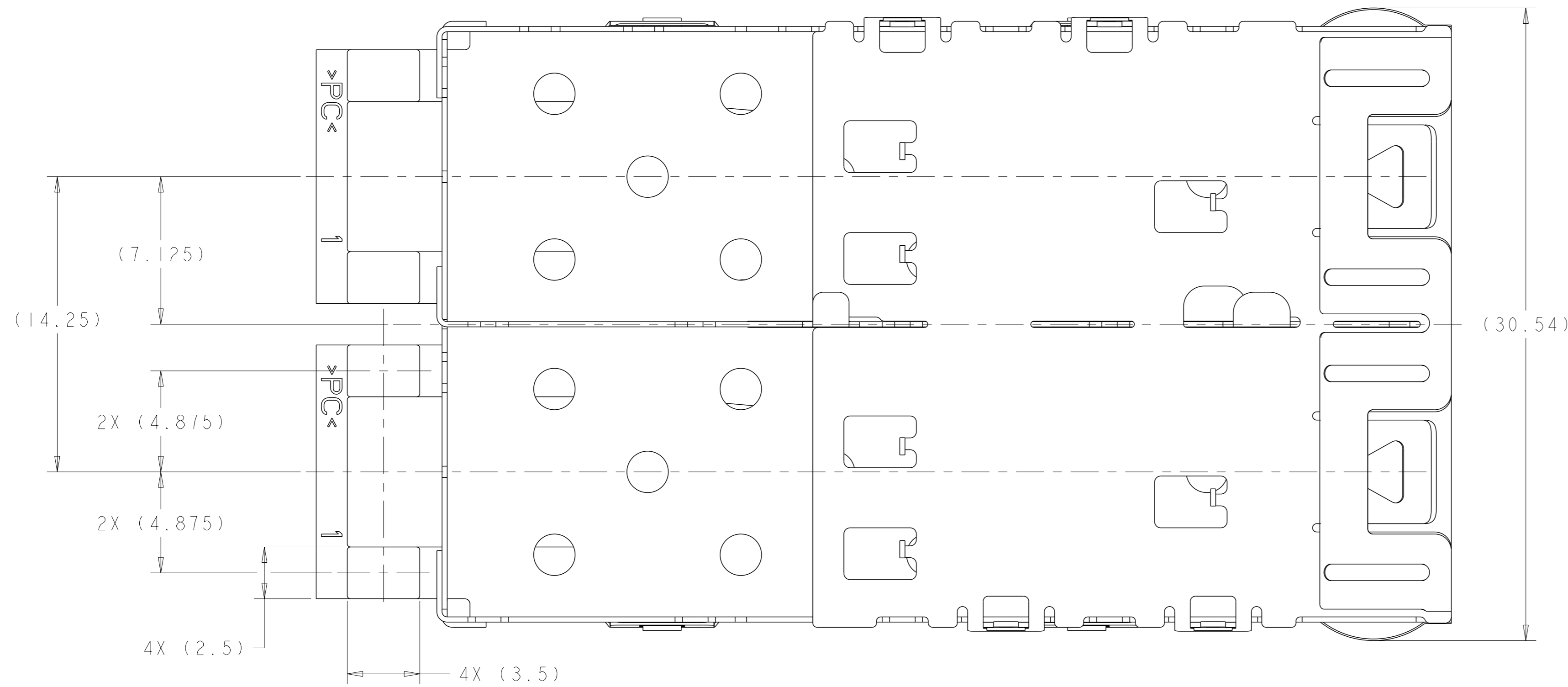
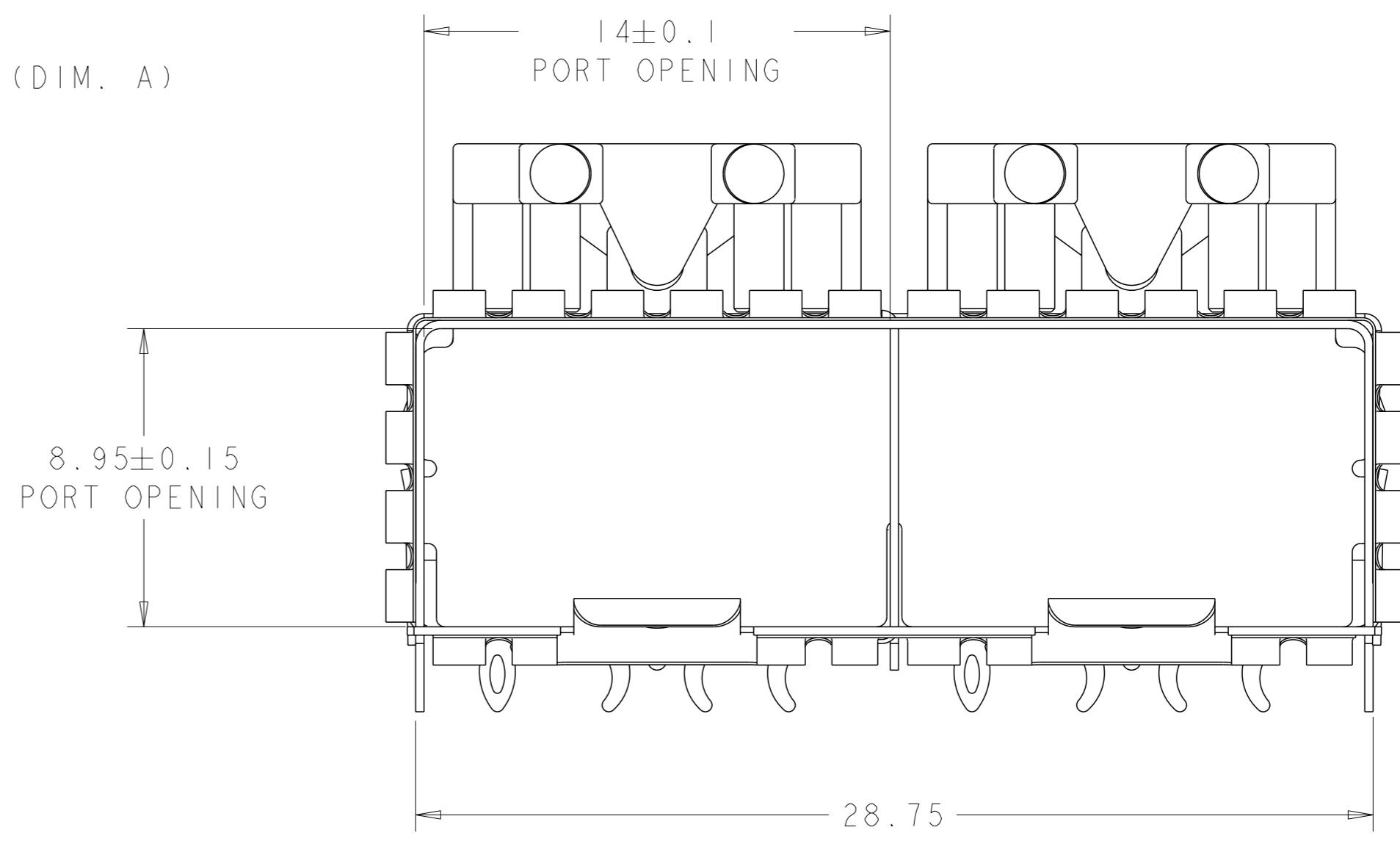
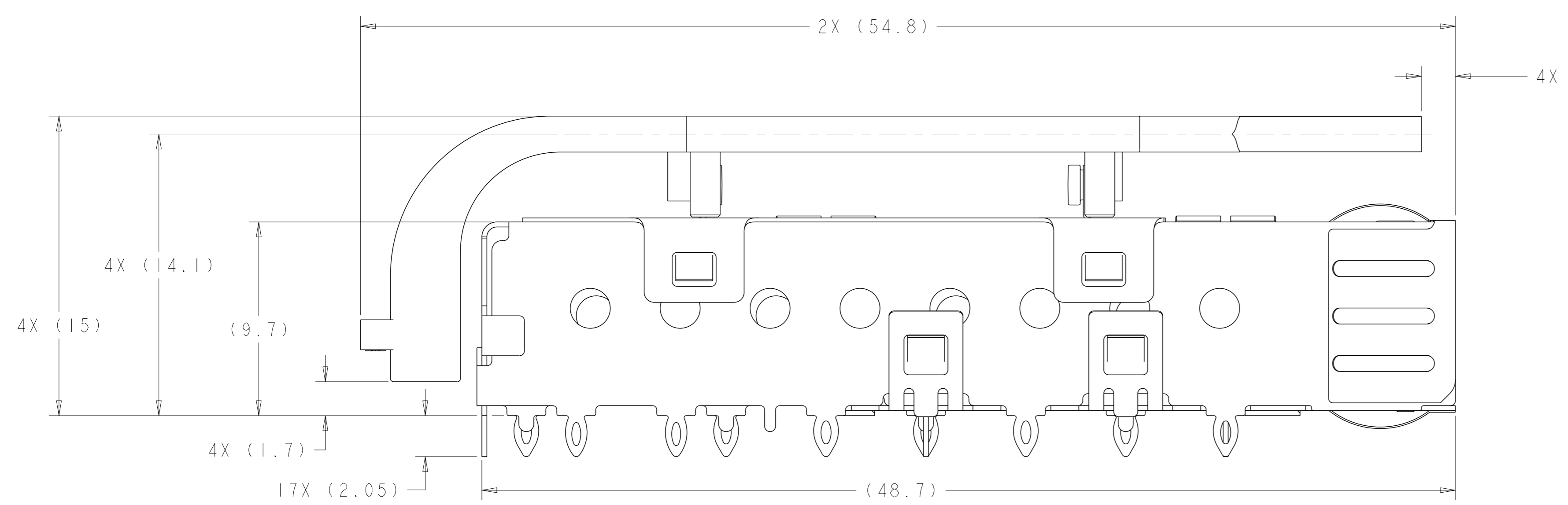
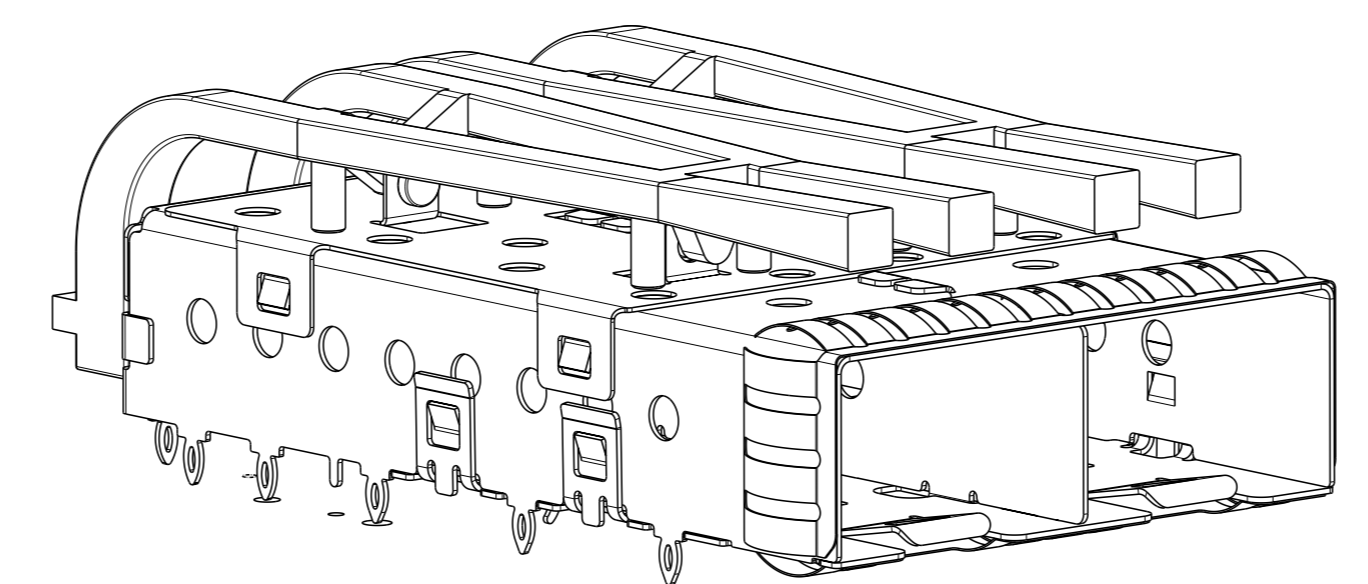
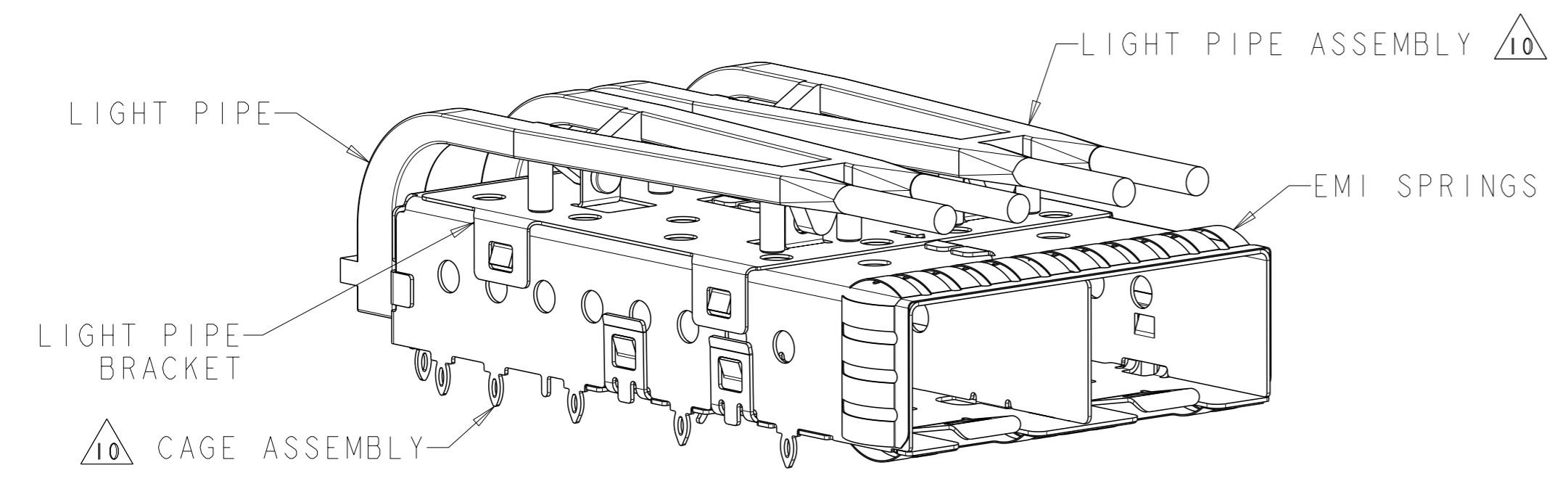


LOC	DIST	REV	DATE	OWN	APVD
GP	00	F2	09NOV2017	IT	SH



- △ MATERIAL:
CAGE ASSEMBLY: 0.25mm THICK NICKEL SILVER ALLOY
LIGHT PIPE BRACKET: STAINLESS STEEL
LIGHT PIPE: POLYCARBONATE, CLEAR
- △ FINISH:
SPRINGS: MINIMUM OF 0.8um MATTE TIN PLATE OVER A MINIMUM OF 0.8um NICKEL UNDERPLATE. NON-PLATED EDGES PERMISSIBLE.
- 3. MATES WITH SFP MSA COMPLIANT TRANSCEIVERS.
- △ PADS AND VIAS CHASSIS GROUND.
- 5. INTERPRETATION OF DATUM REFERENCE FRAME IN ACCORDANCE WITH SECT 4.4.1.1 OF ASME Y14.5M-1994.
- △ MINIMUM PC BOARD THICKNESS:
SINGLE SIDED = 1.50
DOUBLE SIDED = 2.25
- △ HOLE PATTERN REPEATS FOR EACH PORT. SPACING BETWEEN PORTS IS 14.25mm.
- △ REFERENCE APPLICATION SPEC. 114-13120, HOLE A, FOR RECOMMENDED DRILL HOLE DIAMETER AND PLATING THICKNESS.
- △ REFERENCE APPLICATION SPEC. 114-13120, HOLE B, FOR RECOMMENDED DRILL HOLE DIAMETER AND PLATING THICKNESS.
- △ LIGHT PIPE ASSEMBLY SHIPPED UNASSEMBLED TO CAGE ASSEMBLY. CAGE ASSEMBLY TO BE PRESSED INTO THE PCB PRIOR TO ATTACHING THE LIGHT PIPE ASSEMBLY TO THE CAGE.
- △ DATUM AND BASIC DIMENSION ESTABLISHED BY CUSTOMER.
- 12. CERTAIN MATING TRANSCEIVERS MAY REQUIRE ADDITIONAL PCB THICKNESS THAT WOULD NEED TO BE DETERMINED BY THE CUSTOMER.
- 13. PRODUCT COMPLIES WITH SPECIFICATION SFF-8433 IMPROVED PLUGGABLE FORM FACTOR FOR SFP+ GANGED CAGES.
- △ LOW BR/CL AS DEFINED IN TEC-138-702 (PRELIMINARY PART)



2007262-1/-2, 1-2007262-1
FINISHED ASSEMBLY
SCALE 3:1

2007262-3
FINISHED ASSEMBLY

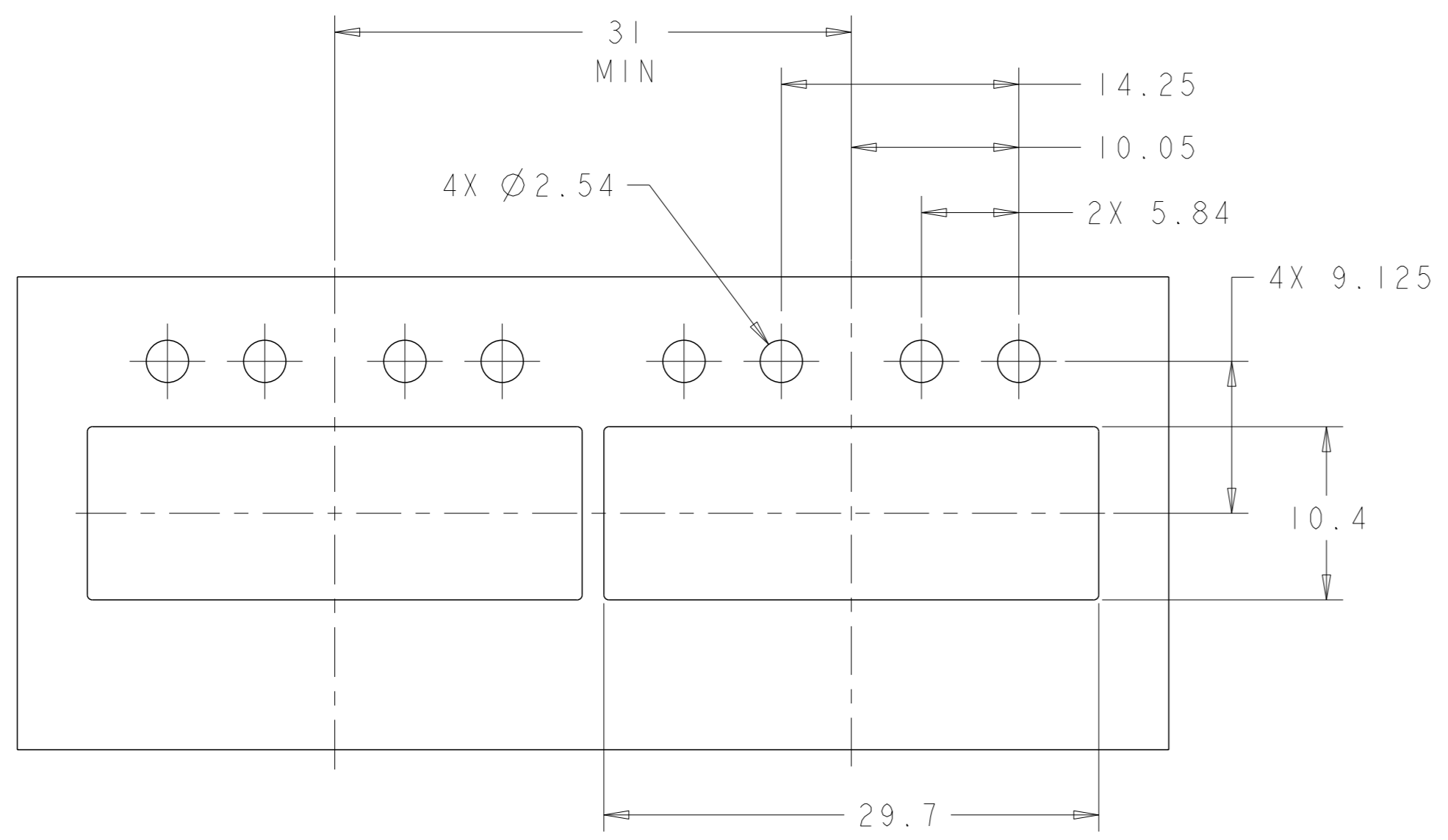
△ (1.7)	1-2007262-1
(2.8)	2007262-3
(2.8)	2007262-2
(1.7)	2007262-1
DIM. A	PART NUMBER

THIS DRAWING IS A CONTROLLED DOCUMENT.

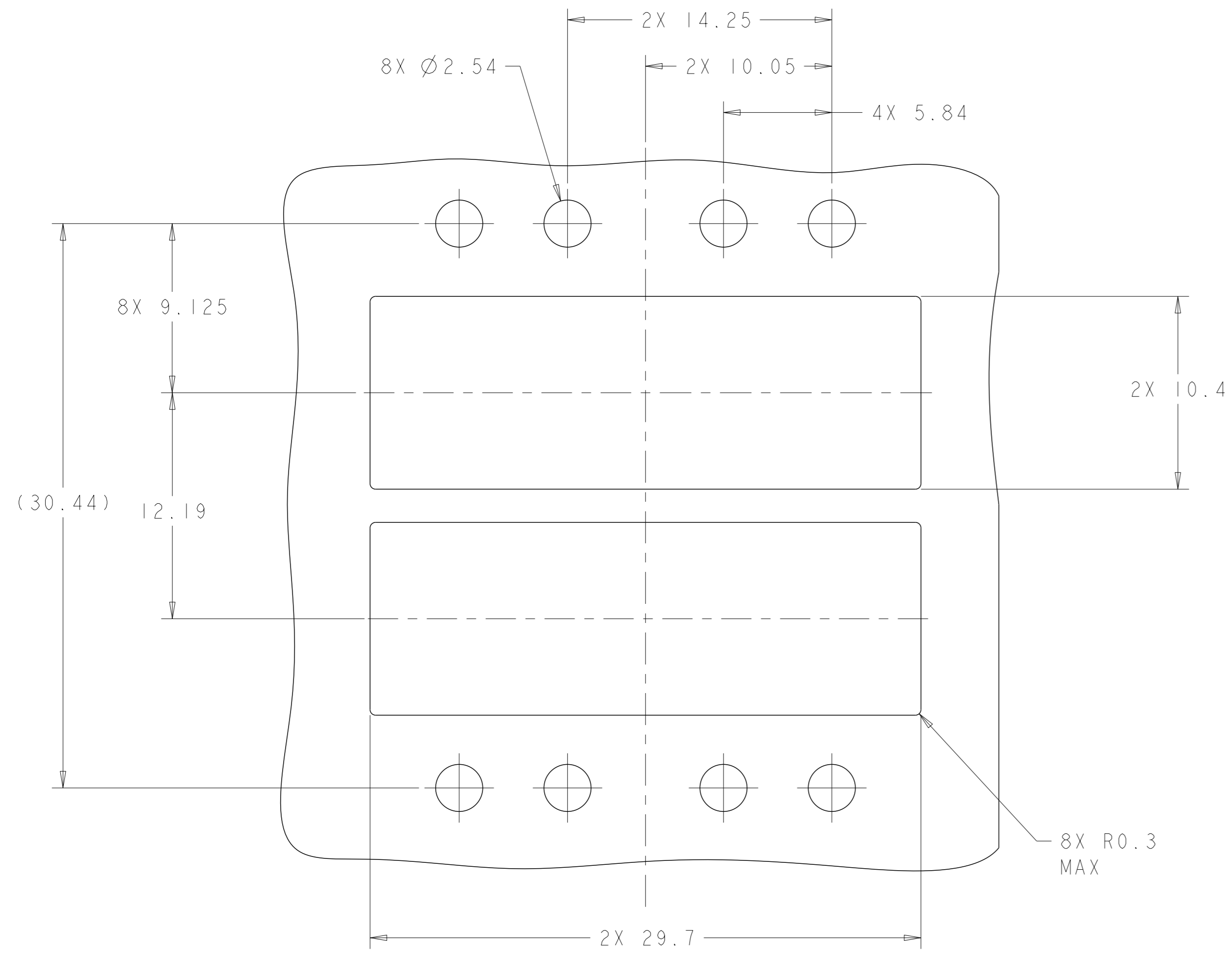
DIMENSIONS:	TOLERANCES UNLESS OTHERWISE SPECIFIED:	OWN: M. SCHMITT 18JUL2007	CHK: M. SCHMITT 18JUL2007	APVD: B. WERTZ 18JUL2007
mm	0 PLC ±0.1 1 PLC ±0.1 2 PLC ±0.1 3 PLC ±0.1 4 PLC ±0.1 ANGLES ±1°	NAME: SFP+ 1X2 CAGE ASSEMBLY PRESS FIT, EXTERNAL EMI SPRINGS WITH LIGHT PIPES	PRODUCT SPEC: 108-2364	APPLICATION SPEC: 114-13120
MATERIAL: △	FINISH: △	SIZE: A1	CAGE CODE: 00779	DRAWING NO: 2007262
		Customer Drawing	SCALE: 6:1	SHEET 1 OF 4 REV F2

STE TE Connectivity

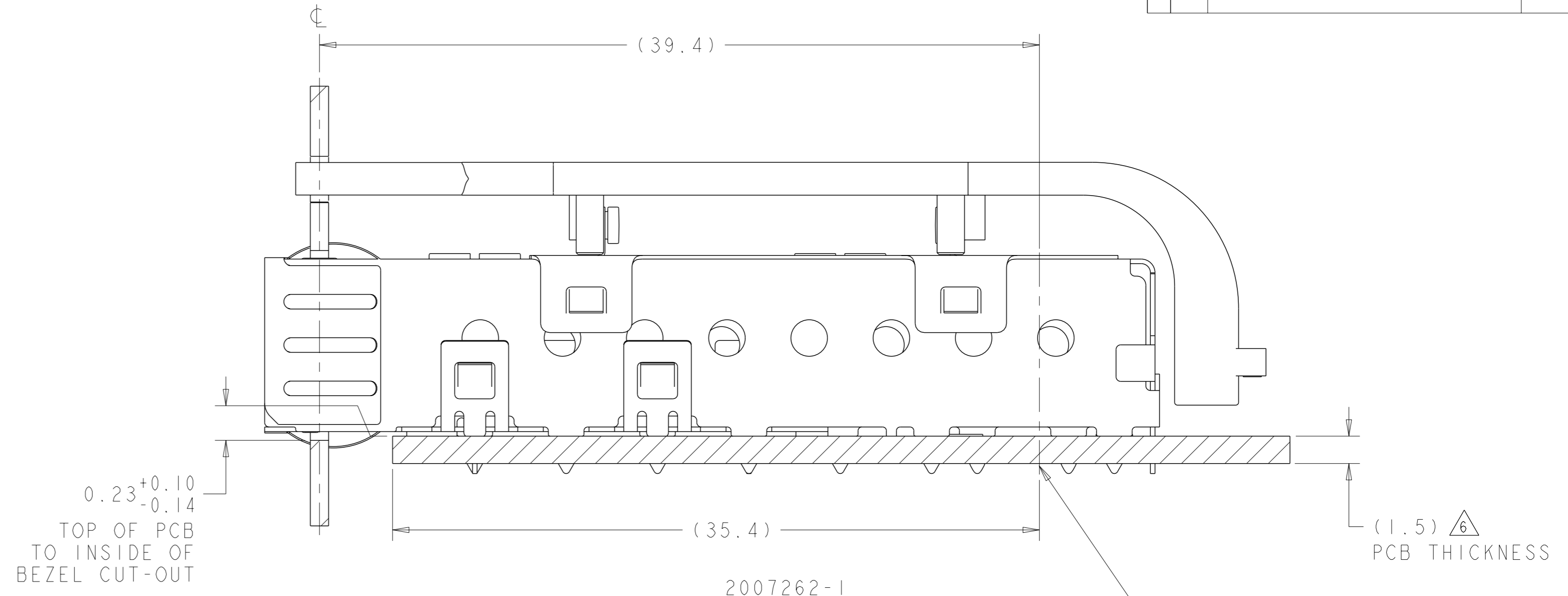
LOC	DIST	REVISIONS			
GP	00	REV	DATE	OWN	APVD
		-	SEE SHEET 1	-	-



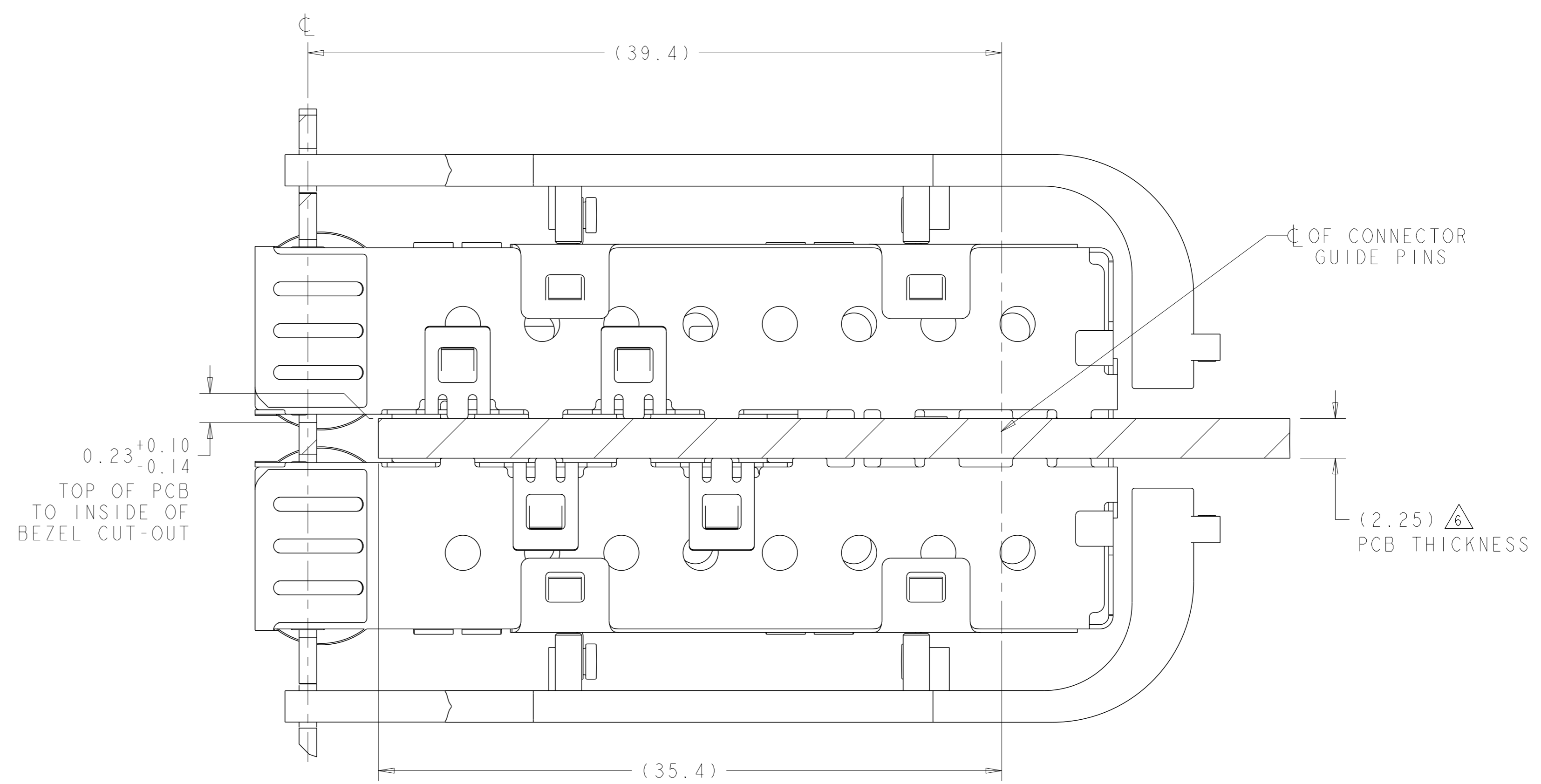
RECOMMENDED BEZEL CUT-OUT
SINGLE SIDED APPLICATIONS
SCALE 3:1



RECOMMENDED BEZEL CUT-OUT
BELLY TO BELLY APPLICATIONS
SCALE 5:1



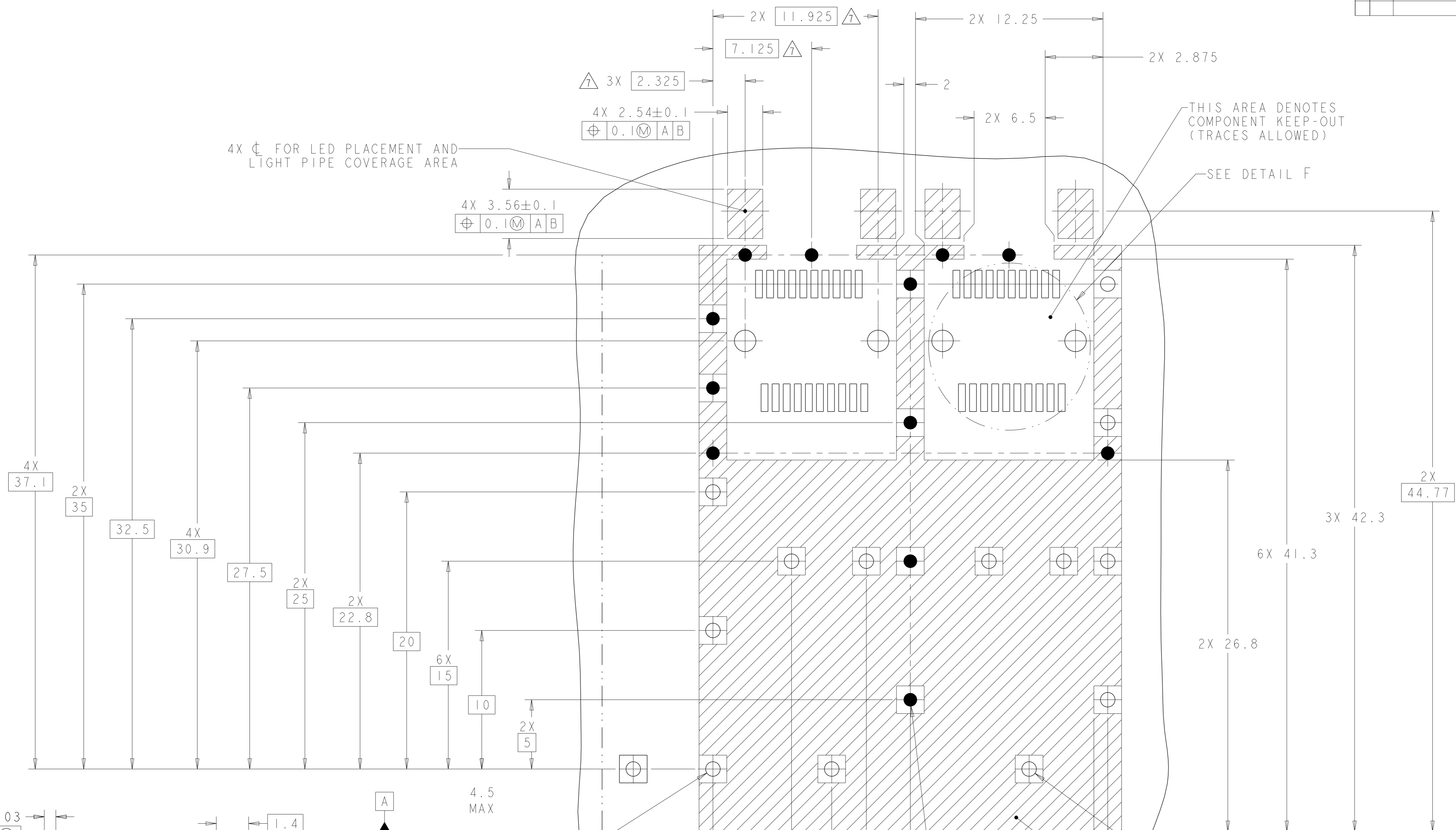
2007262-1
MOUNTED ON PCB
SHOWN THRU RECOMMENDED BEZEL
SCALE 5:1



2007262-1
MOUNTED BELLY TO BELLY ON PCB
SHOWN THRU RECOMMENDED BEZEL
SCALE 5:1

THIS DRAWING IS A CONTROLLED DOCUMENT.		OWN M. SCHMITT 18JUL2007	TE Connectivity NAME SFP+ 1X2 CAGE ASSEMBLY PRESS FIT, EXTERNAL EMI SPRINGS WITH LIGHT PIPES SIZE CAGE CODE DRAWING NO RESTRICTED TO A1 00779 ©=2007262 Customer Drawing SCALE 6:1 SHEET 2 OF 4 REV F2
DIMENSIONS:		CHK M. SCHMITT 18JUL2007	
TOLERANCES UNLESS OTHERWISE SPECIFIED:		APVD B. WERTZ 18JUL2007	
mm 0 PLC ±0.1 1 PLC ±0.1 2 PLC ±0.1 3 PLC ±0.1 4 PLC ±0.1 ANGLES ±1° FINISH		PRODUCT SPEC 108-2364 APPLICATION SPEC 114-13120 WEIGHT	

LOC	DIST	REVISIONS			
GP	00	REV	DATE	OWN	APVD
		1	SEE SHEET 1		



4X ϕ FOR LED PLACEMENT AND LIGHT PIPE COVERAGE AREA

THIS AREA DENOTES COMPONENT KEEP-OUT (TRACES ALLOWED)

SEE DETAIL F

CROSS-HATCHED AREA DENOTES COMPONENT AND TRACE KEEP-OUT (EXCEPT CHASSIS GROUND)

RECOMMENDED PCB CONFIGURATION WITH KEEP-OUT AREAS SINGLE SIDED APPLICATION

DETAIL F
RECOMMENDED PT CONNECTOR LAYOUT
2X INDIVIDUALLY
SCALE 10:1

THIS DRAWING IS A CONTROLLED DOCUMENT.		OWN: M. SCHMITT 18JUL2007	TE Connectivity NAME: SFP+ 1X2 CAGE ASSEMBLY PRESS FIT, EXTERNAL EMI SPRINGS WITH LIGHT PIPES PRODUCT SPEC: 108-2364 APPLICATION SPEC: 114-13120 SIZE: A1 CAGE CODE: 00779 DRAWING NO: 2007262 RESTRICTED TO: - SCALE: 6:1 SHEET 3 OF 4 REV: F2
DIMENSIONS:	TOLERANCES UNLESS OTHERWISE SPECIFIED:	CHK: M. SCHMITT 18JUL2007	
mm	0 PLC ±0.1 1 PLC ±0.1 2 PLC ±0.1 3 PLC ±0.1 4 PLC ±0.1	APVD: B. WERTZ 18JUL2007	
	ANGLES ±1°	FINISH	
MATERIAL:		WEIGHT:	Customer Drawing

