

注記 NOTES

1. 使用材料 MATERIAL

ハウジング : 液晶ポリマー (LCP) UL94V-0 (黒)
HOUSING: LIQUID CRYSTAL POLYMER UL94V-0 (COLOR: BLACK)

信号用ターミナル : 銅合金
TERMINAL FOR SIGNAL CIRCUIT : COPPER ALLOY

電源用ターミナル : 銅合金
TERMINAL FOR POWER CIRCUIT : COPPER ALLOY

2. メッキ仕様 PLATING

ターミナル (信号用、電源用) TERMINAL FOR SIGNAL AND POWER CIRCUIT

金メッキ
GOLD

下地メッキ : ニッケルメッキ
UNDER PLATING : NICKEL

※コンタクト部とテール部はニッケルメッキによって分断されている金メッキです。
DIVIDE INTO PARTS THE GOLD PLATING OF THE CONTACT AND THE TAIL PART BY THE NICKEL PLATING.

4. 嵌合相手 : 505004 シリーズ

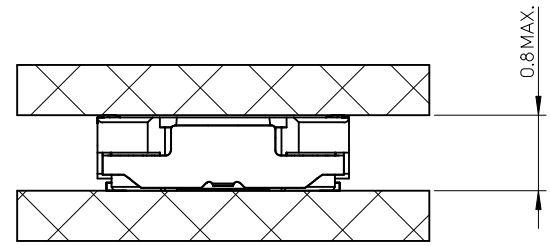
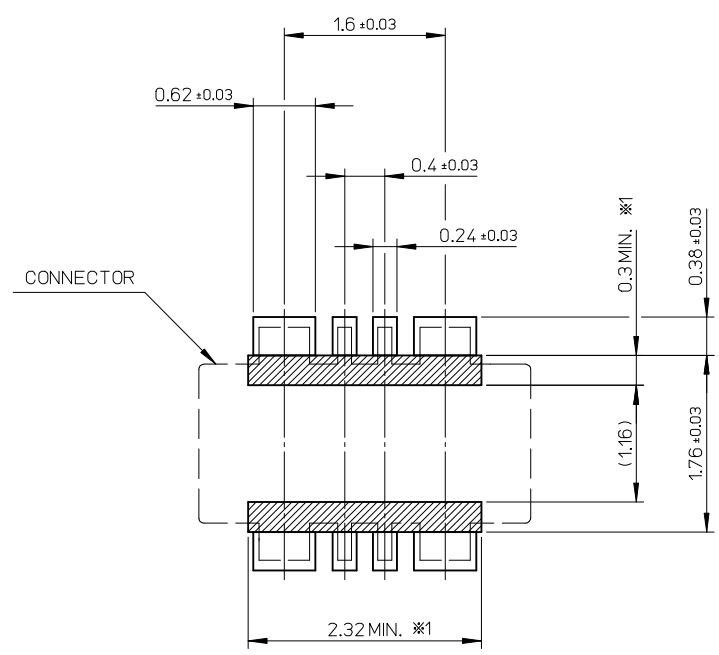
MATE WITH : 505004 SERIES.

5. テール平坦度は、0.08 以下
TAIL COPLANARITY TO BE 0.08 MAXIMUM.

6. ELV & RoHS 適合品
ELV and RoHS COMPLIANT.

4	4	505006-0812	0	---	8
FOR POWER	FOR SIGNAL	EMBOSSSED TAPE PACKAGE	量産品 MASS PRODUCTION	試作対応可 LOW VOL. TOOL	極数 CIRCUIT
使用用途 USAGE	オーダー番号 ORDER NO.	CONNECTOR SERIES No. : 505006-**12		サンプル供給 SAMPLE PREPARATION	

RELEASED EC NO: J2018-0107 DRWN: YA0YAGI 2017/09/26 CHKD: KTAKAHASHI 2017/9/28 APPR: NUKITA 2017/09/28	GENERAL TOLERANCES (UNLESS SPECIFIED)		DIMENSION STYLE MM ONLY		SCALE 20:1	DESIGN UNITS METRIC	THIRD ANGLE PROJECTION
	0.25 UNDER	±0.03	DRAWN BY SGOTO02	DATE 2014/03/03	TITLE 0.4 BB CONN H=0.75 BATTERY PLUG ASSY		
	0.25 OVER 0.5 UNDER	±0.05	CHECKED BY KTAKAHASHI	DATE 2017/9/28			
	0.5 OVER 1.0 UNDER	±0.1	APPROVED BY NUKITA	DATE 2017/09/28			
	1.0 OVER 10 UNDER	±0.2	MATERIAL NO.	DOCUMENT NO.	SHEET NO.		
10 OVER 30 UNDER	±0.25	SEE TABLE		SD-505006-005	1 OF 2		
30 OVER	±0.3	THIS DRAWING CONTAINS INFORMATION THAT IS PROPRIETARY TO MOLEX ELECTRONIC TECHNOLOGIES, LLC AND SHOULD NOT BE USED WITHOUT WRITTEN PERMISSION					
ANGULAR ±1 °	DRAFT WHERE APPLICABLE MUST REMAIN WITHIN DIMENSIONS						
REV A							



嵌合状態
MATED CONDITION

推奨基板寸法 (参考)
 推奨メタルマスク厚: $t=0.1\text{mm}$ / 推奨メタルマスク開口率: 80%
 RECOMMENDED P.W.BOARD PATTERN LAYOUT (REFERENCE)
 RECOMMENDED THICKNESS OF METAL MASK: $t=0.1\text{mm}$
 RECOMMENDED OPEN APERTURE RATIO OF METAL MASK: 80%

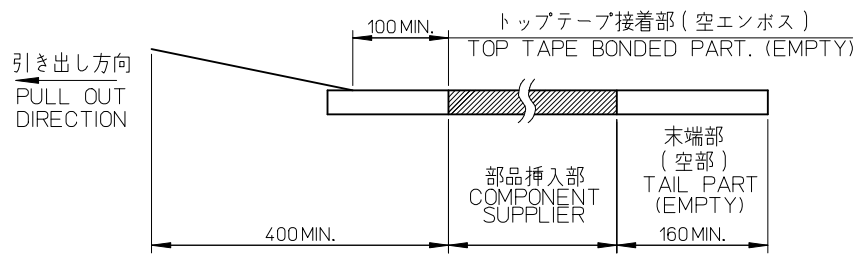
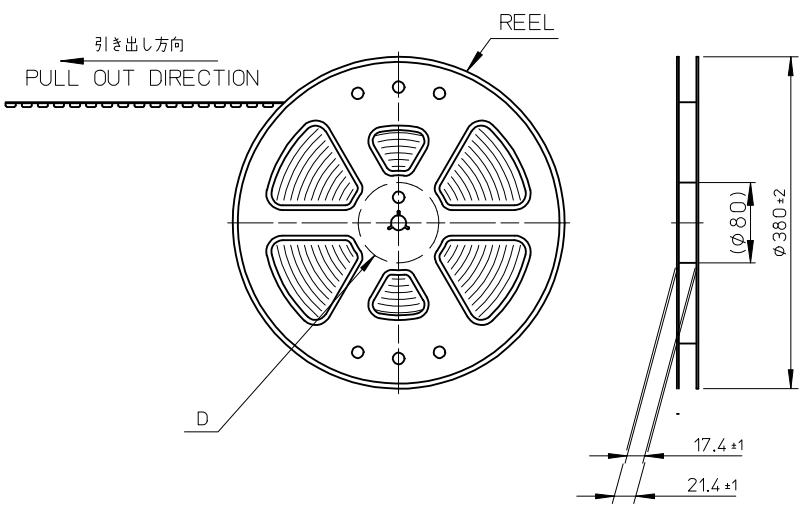
※1 パターン引き直し、および半田禁止エリア
 (当該箇所においては、回路の配線を禁止する。また、この部分に半田は無きこととする。)
 PROHIBITED AREA OF PATTERN WIRING AND SOLDER.
 (FOR EACH AREA THE WIRING CAN NOT BE AVAILABLE.
 AND COVERED WITH A FILM KEEP SOLDER OUT)

CONNECTOR SERIES No. : 505006-**12

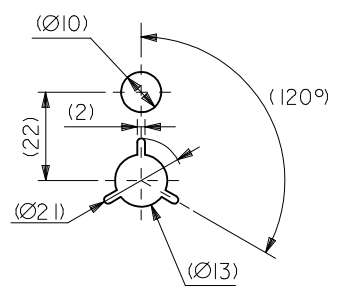
SEE SHEET 1	EC NO: J2018-0107	DRWN: YAOYAGI 2017/09/26	CHKD: TAKAHASHI 2017/9/28	APPR: NUKITA 2017/09/28	GENERAL TOLERANCES (UNLESS SPECIFIED)		DIMENSION STYLE		SCALE	DESIGN UNITS	THIRD ANGLE PROJECTION
							MM ONLY		20:1	METRIC	
					0.25 UNDER	± 0.03	DRAWN BY	DATE	TITLE		
					0.25 OVER 0.5 UNDER	± 0.05	SGOT002	2014/03/03	0.4 BB CONN H=0.75 BATTERY PLUG ASSY		
		0.5 OVER 1.0 UNDER	± 0.1	CHECKED BY	DATE	molex		DOCUMENT NO.	SHEET NO.		
		1.0 OVER 10 UNDER	± 0.2	KTAKAHASHI	2017/9/28						
		10 OVER 30 UNDER	± 0.25	APPROVED BY	DATE	SEE SHEET 1		SD-505006-005	2 OF 2		
		30 OVER	± 0.3	NUKITA	2017/09/28						
		ANGULAR	±1 °	MATERIAL NO.		THIS DRAWING CONTAINS INFORMATION THAT IS PROPRIETARY TO MOLEX ELECTRONIC TECHNOLOGIES, LLC AND SHOULD NOT BE USED WITHOUT WRITTEN PERMISSION					
		DRAFT WHERE APPLICABLE MUST REMAIN WITHIN DIMENSIONS			SIZE						
					A3						

注記 NOTES

- 製品詳細寸法については製品単体図面を参照下さい。
RE DETAILED DIMENSION, SEE PRODUCT DRAWING.
- 梱包数量：7000個/リール
NUMBER OF CONNECTORS : 7000PCS/REEL
- リードテープ長さ LEAD TAPE LENGTH



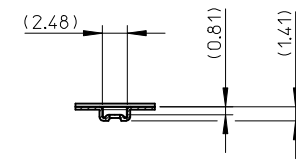
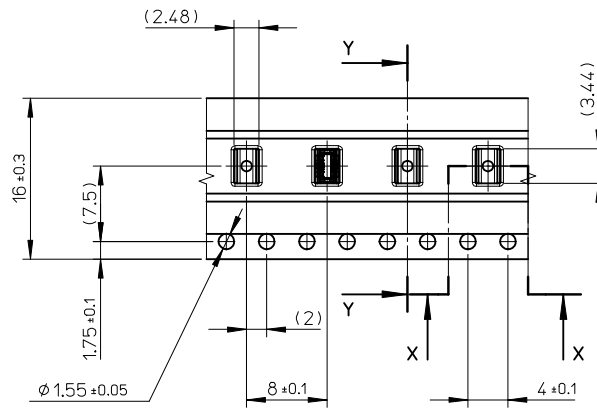
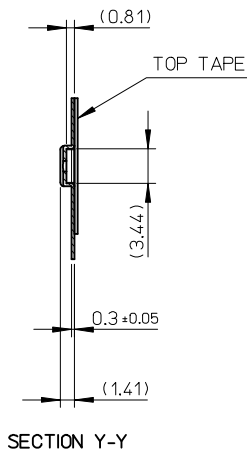
- トップテープの剥離強度は、IEC60286-3に準拠する。
PEELING OFF FORCE OF THE TOP TAPE IS DEFINED BY IEC60286-3.
- 材料 MATERIAL
キャリアテープ (CARRIER TAPE) ポリスチレン (POLYSTYRENE)
トップテープ (TOP TAPE) PET, OTHER
リール (REEL) ポリスチレン (PS) <リサイクル材を含む>
POLYSTYRENE (PS) <RECYCLE MATERIAL CONTAINED>
- ELV 及び RoHS適合品
ELV AND RoHS COMPLIANT



DETAIL D

RELEASED EC NO: J2018-0107 DRWN:YA0YAGI 2017/09/25 CHKD:KTAKAHASHI 2017/9/28 APPR:NUKITA 2017/09/28		GENERAL TOLERANCES (UNLESS SPECIFIED)		DIMENSION STYLE		MODEL No.		505006-**12	
		0.25 UNDER ±0.03		MM ONLY		SCALE 1:1	DESIGN UNITS METRIC	THIRD ANGLE PROJECTION	
A DRAFT WHERE APPLICABLE MUST REMAIN WITHIN DIMENSIONS		0.25 OVER 0.5 UNDER ±0.05		DRAWN BY DATE		TITLE 0.4 BB CONN H=0.75 BATTERY PLUG 0/M EMBSTP PKG molex			
		0.5 OVER 1.0 UNDER ±0.1		SGOT002 2014/03/13					
		1.0 OVER 10 UNDER ±0.2		CHECKED BY DATE		DOCUMENT NO. SD-505006-006		SHEET NO. 1 OF 2	
		10 OVER 30 UNDER ±0.25		KTAKAHASHI 2017/9/28					
30 OVER ±0.3		APPROVED BY DATE		THIS DRAWING CONTAINS INFORMATION THAT IS PROPRIETARY TO MOLEX ELECTRONIC TECHNOLOGIES, LLC AND SHOULD NOT BE USED WITHOUT WRITTEN PERMISSION					
ANGULAR ±1 °		NUKITA 2017/09/28							
A		SIZE A3		SEE SHEET 2					

引出し方向
PULL OUT DIRECTION



SECTION X-X

累積ピッチ: 40±0.2
ACCUMULATED PITCH: 40±0.2

505006-0812	0	---	8
EMBOSSSED TAPE PACKAGE	量産品 MASS PRODUCTION	試作対応可 LOW VOL. TOOL	極数 CIRCUIT
オーダー番号 ORDER NO.	サンプル供給 SAMPLE PREPARATION		
MODEL No.	505006-**12		

SEE SHEET 1 EC NO: J2018-0107 DRWN:YAOYAGI 2017/09/25 CHKD:KATAHASHI 2017/9/28 APPR:NUKITA 2017/09/28	GENERAL TOLERANCES (UNLESS SPECIFIED)		DIMENSION STYLE MM ONLY		SCALE 2:1	DESIGN UNITS METRIC	THIRD ANGLE PROJECTION
	0.25 UNDER	±0.03	DRAWN BY	DATE	TITLE		
	0.25 OVER 0.5 UNDER	±0.05	SGOT002	2014/03/13	0.4 BB CONN H=0.75 BATTERY PLUG 0/M EMBSTP PKG molex SD-505006-006		
	0.5 OVER 1.0 UNDER	±0.1	CHECKED BY	DATE			
	1.0 OVER 10 UNDER	±0.2	KATAHASHI	2017/9/28			
10 OVER 30 UNDER	±0.25	APPROVED BY	DATE				
30 OVER	±0.3	NUKITA	2017/09/28				
ANGULAR ±1 °		MATERIAL NO.	SEE TABLE		DOCUMENT NO.	SHEET NO. 2 OF 2	
DRAFT WHERE APPLICABLE MUST REMAIN WITHIN DIMENSIONS			SIZE A3	THIS DRAWING CONTAINS INFORMATION THAT IS PROPRIETARY TO MOLEX ELECTRONIC TECHNOLOGIES, LLC AND SHOULD NOT BE USED WITHOUT WRITTEN PERMISSION			