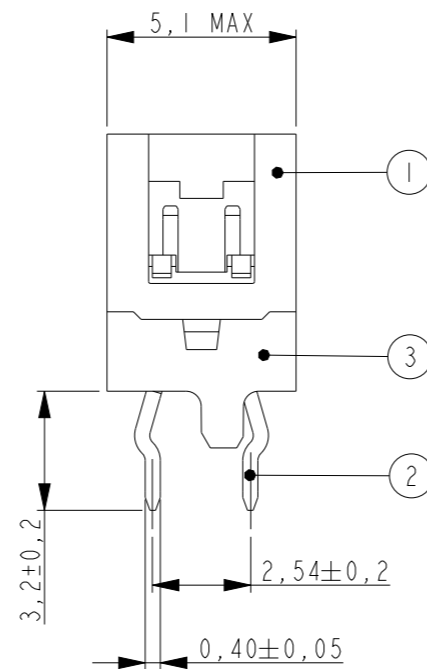
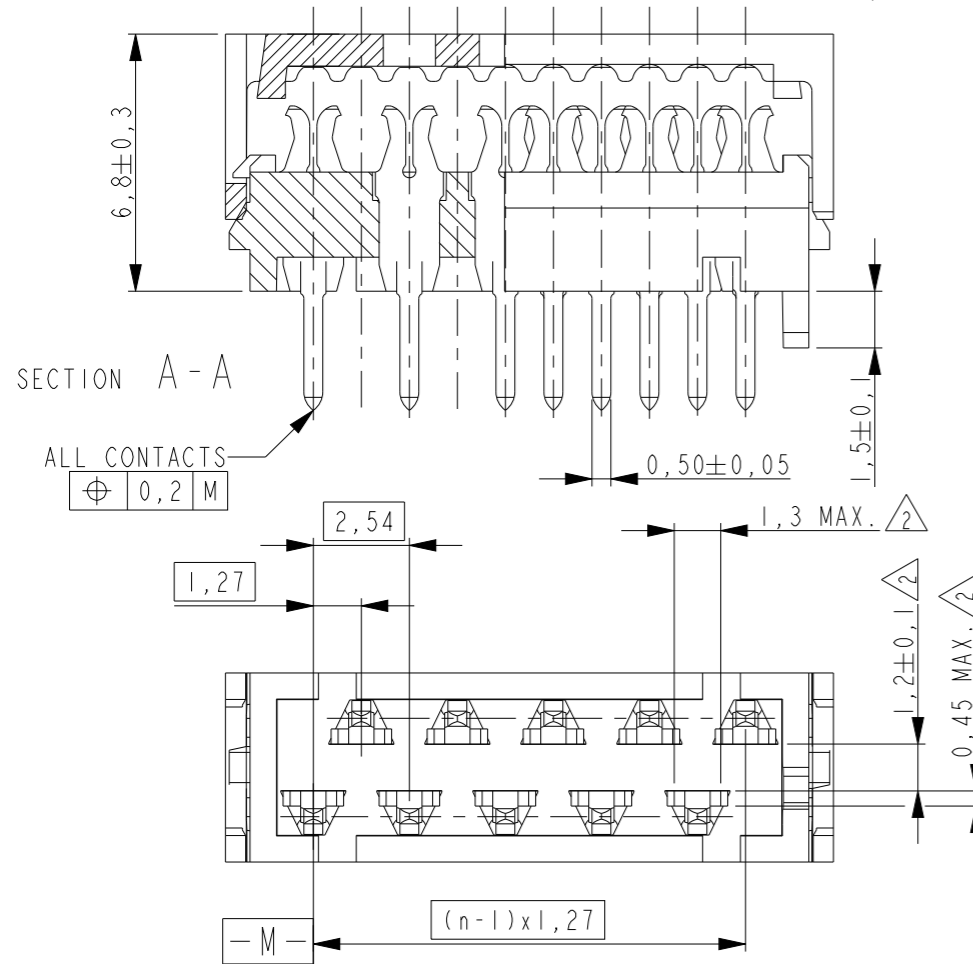
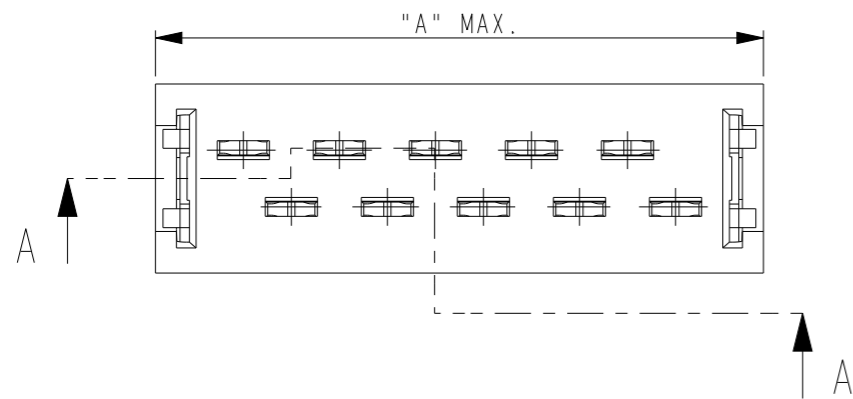
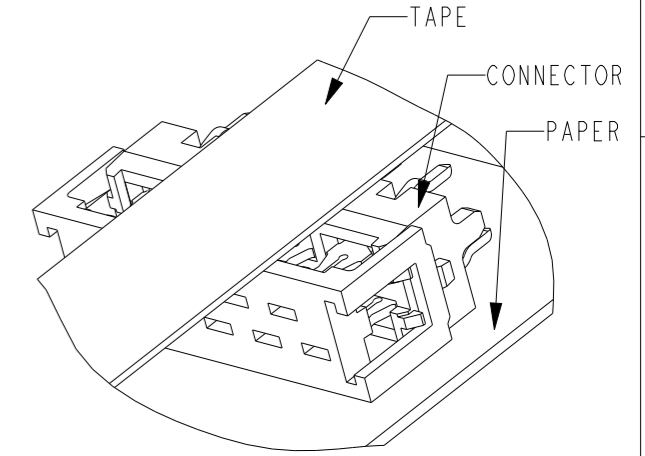


P	LTR	DESCRIPTION	DATE	DWN	APVD
A		INITIAL RELEASE	18AUG2014	PS	JK
AI		PN STATUS UPDATED	17MAY2021	SB	KJK

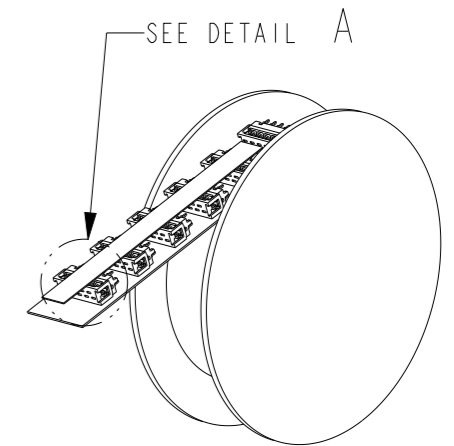


PART NUMBER REEL PACKAGING	NO. OF POS "n"	DIMENSION "A" MAX
3-2178713-4	4	8,6
3-2178713-6	6	11,1
3-2178713-8	8	13,6
1-2178713-0	10	16,2
3-2178713-2	12	18,7
3-2178713-4	14	21,3
3-2178713-6	16	23,8
3-2178713-8	18	26,3
3-2178713-0	20	28,9



DETAIL A

DEREELING DIRECTION AND POSITION OF CONNECTORS.

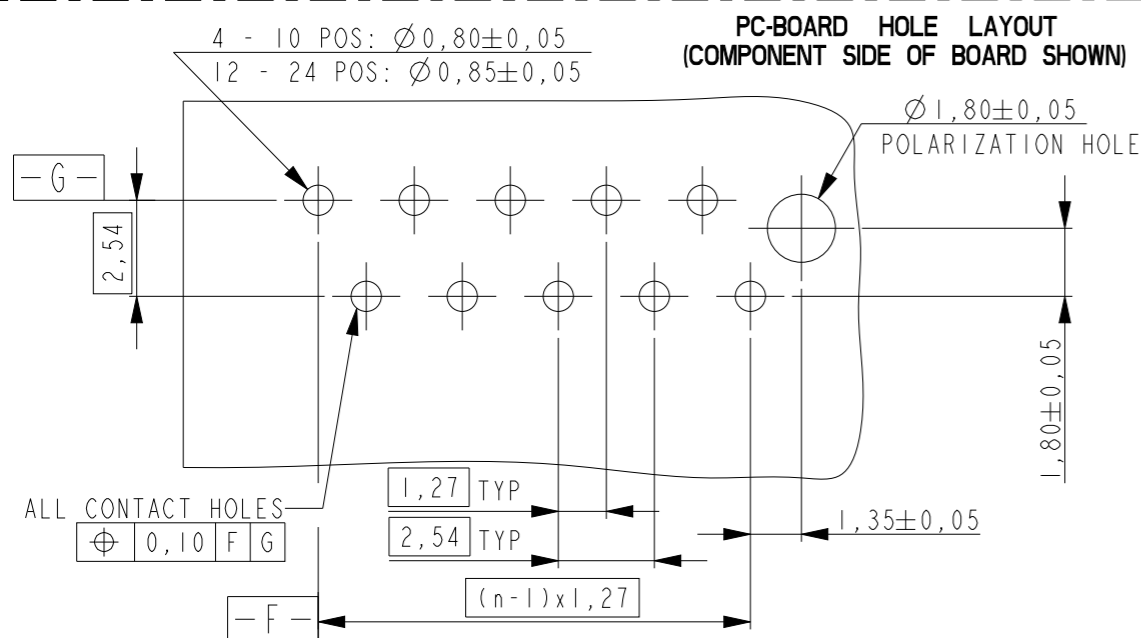


2500 CONNECTORS PER REEL.

REEL PACKAGING

NOTES:

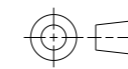
- 1 SHOWN IS A 10 POS. CONNECTOR
- 2 REF. CONTACT SHOULDER BOTTOM, THAT CAN TOUCH THE PC-BOARD SURFACE.
- 3 OBSOLETE



THIS DRAWING IS A CONTROLLED DOCUMENT.

DIMENSIONS: mm

TOLERANCES UNLESS OTHERWISE SPECIFIED:



0 PLC	±
1 PLC	±
2 PLC	±
3 PLC	±
4 PLC	±
ANGLES	±
FINISH	SEE TABLE

MATERIAL SEE TABLE

SEE TABLE

3	PADDLE BOARD HOUSING	PBT, GF	BLACK
2	PADDLE BOARD CONTACT	TIN BRASS	3.0 - 5.0µm TIN OVER 0.5µm NICKEL
1	COVER	PBT, GF	BLACK
ITEM NO.	DESCRIPTION	MATERIAL	FINISH / COLOR

DWN	08AUG2014
PRASHANTH	
CHK	13AUG2014
PRASHANTH S	
APVD	14AUG2014
JAYANTH KUMAR	
PRODUCT SPEC	108-32087
APPLICATION SPEC	114-19016
WEIGHT	-



NAME: Micro-MaTch VALUE LINE PADDLE BOARD CONNECTOR

SIZE	CAGE CODE	DRAWING NO	RESTRICTED TO
A3	00779	C-2178713	
CUSTOMER DRAWING		SCALE	SHEET OF REV
		5:1	1 OF 1 AI