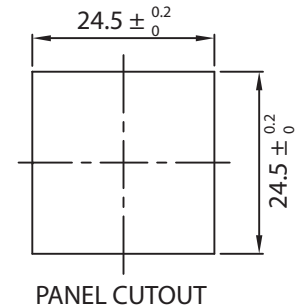
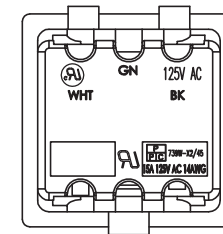
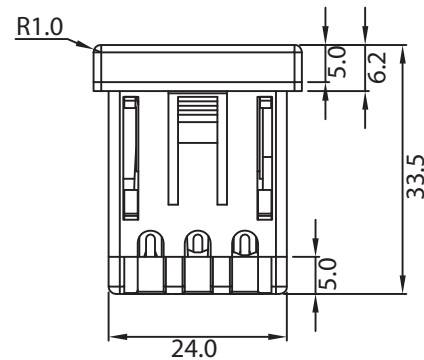
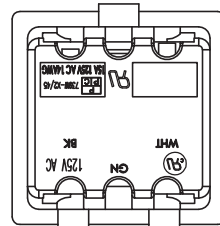
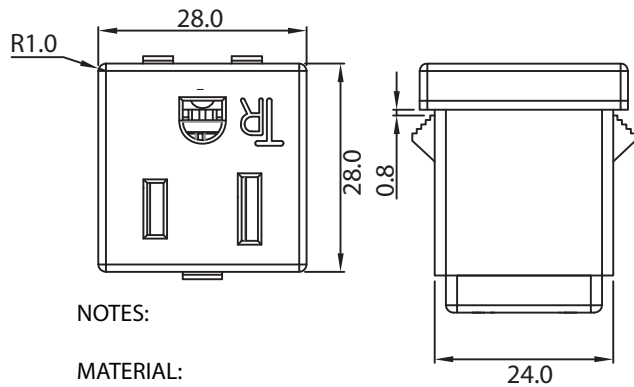
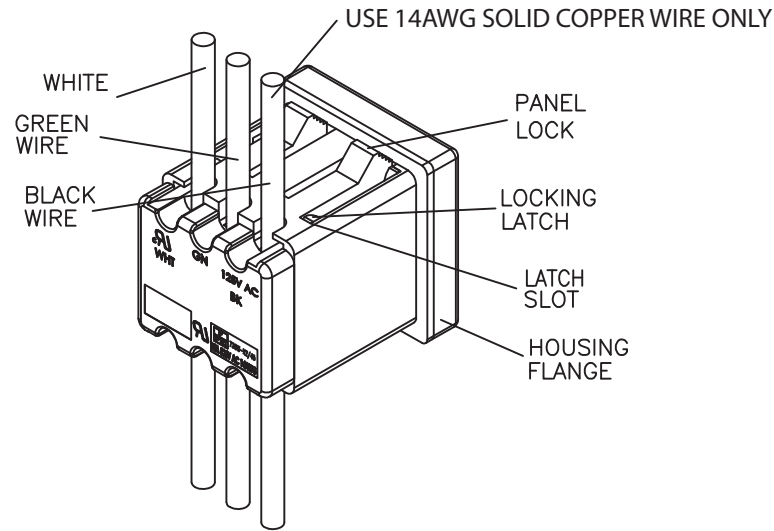


THESE DRAWINGS ARE THE PROPERTY OF QUALTEK ELECTRONICS AND NOT TO BE REPRODUCED FOR OR COMMUNICATED TO A THIRD PARTY WITHOUT THE EXPRESS WRITTEN PERMISSION OF AN OFFICER OF QUALTEK ELECTRONICS.

REVISION			
REV.	DESCRIPTION	DATE	APPROVED



NOTES:

MATERIAL:

- TOP COVER: PC BLACK COLOR
- BODY: NYLON 66 BLACK COLOR
- SPRING: SWC
- SHUTTER: POM WHITE COLOR
- BACK COVER: PC BLACK COLOR
- GN TERMINAL: BRASS t=0.4mm
- BK TERMINAL: BRASS t=0.4mm
- WHT TERMINAL: BRASS t=0.4mm NI-PLATED
- USE 14AWG SOLID COPPER WIRE ONLY
- PRODUCT SHIPPED UNASSEMBLED
- RATING: 15A 125V AC
- APPROVALS: UL, cUL
- PANEL THICKNESS: 0.8~2.0mm
- TAMPER RESISTANT
- RoHS COMPLIANT

CONTROLLED

Dim range (mm)	Tolerance +/- (mm)	Qualtek Electronics Corp. PPC DIVISION		
		Part Number: 739W-X2/45	RoHS Compliant	
0-1	0.20	Description: TAMPER RESISTANT AC RECEPTACLE		
1-6	0.25			
6-18	0.40	UNIT: mm		
18-50	0.50	Drawn / Date	Checked / Date	Approved / Date
50-120	0.70	R. Nuti	01-06-15	LY / 01-06-15
120-250	0.90			
250-500	1.20			