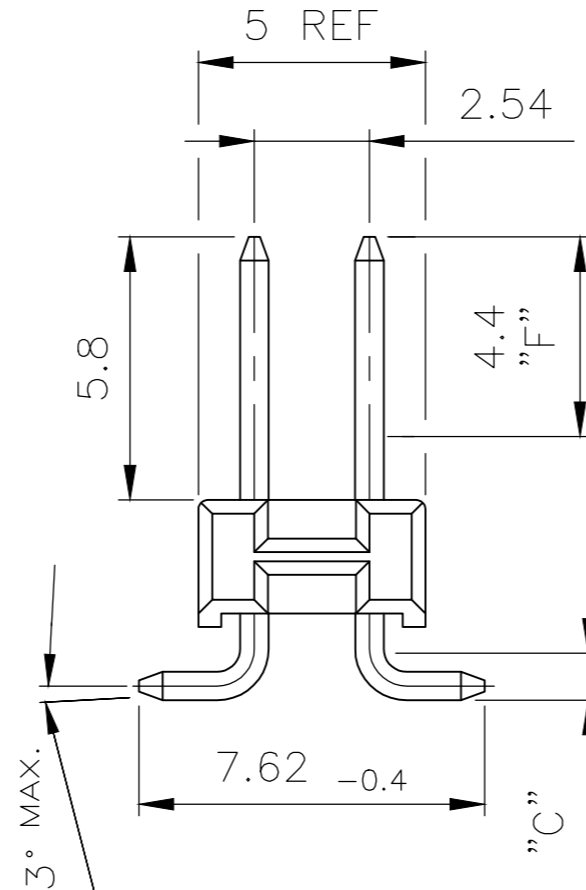
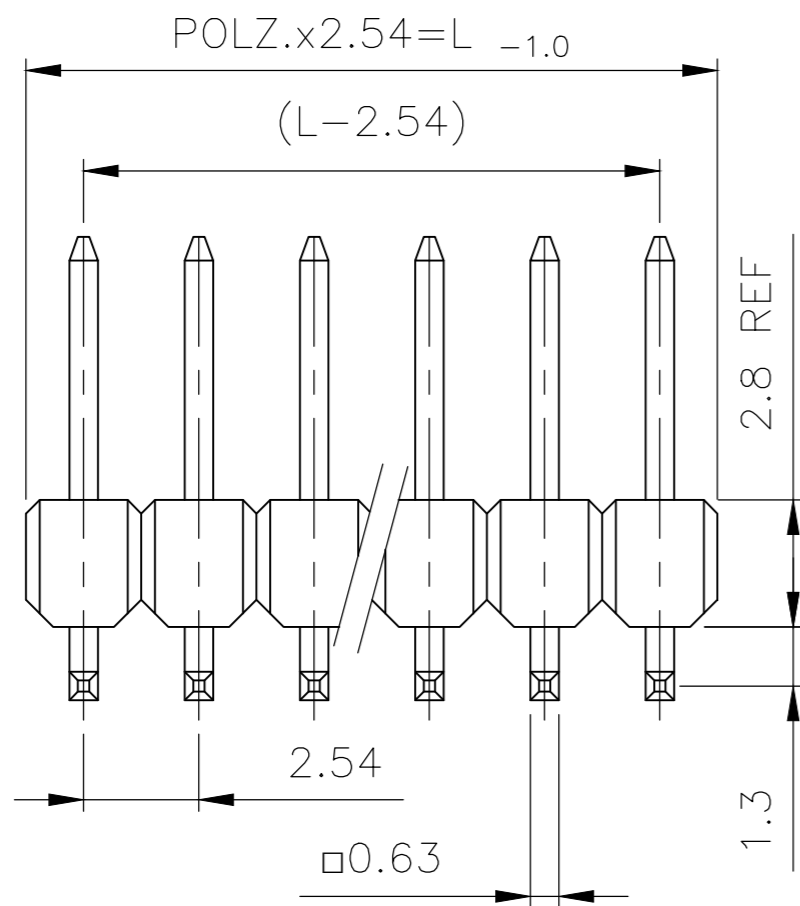


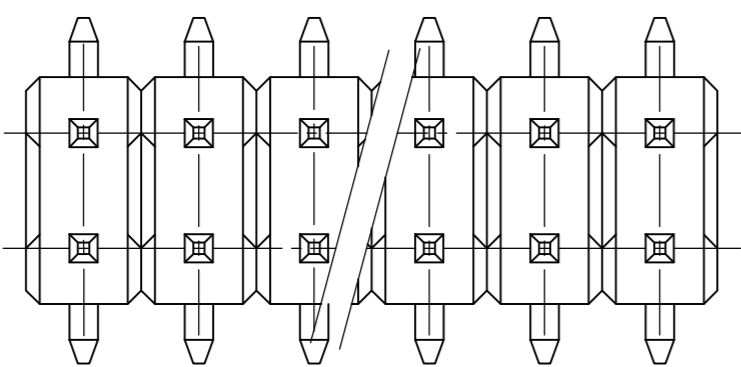
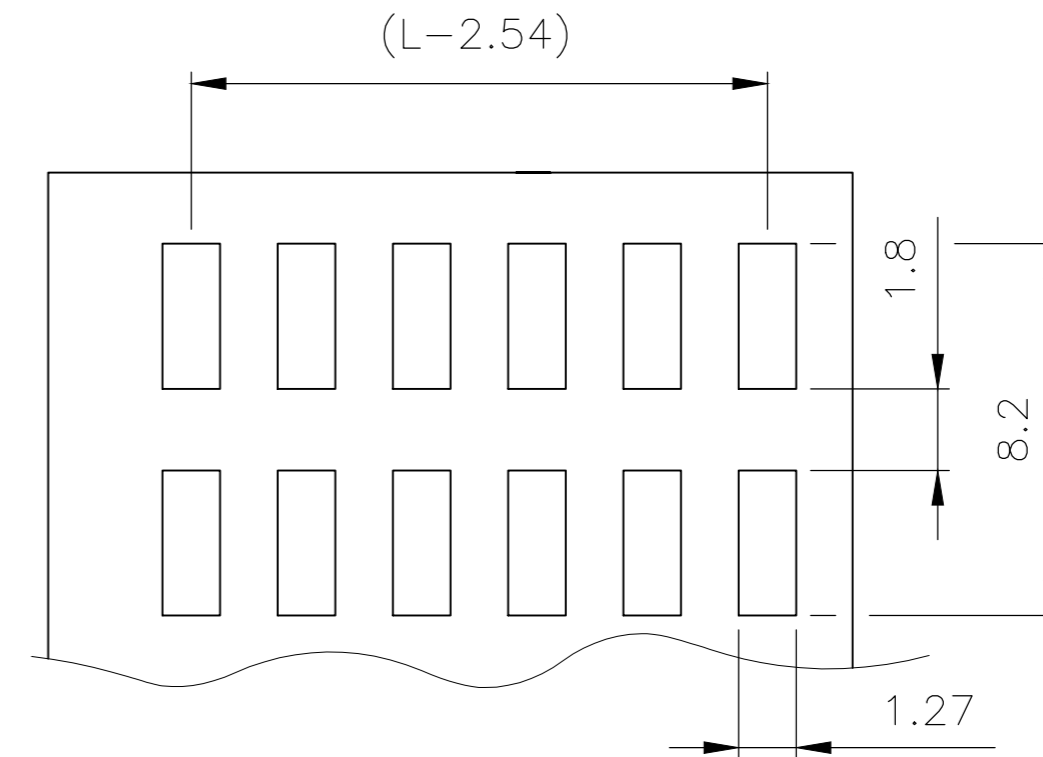
THIS DRAWING IS UNPUBLISHED. RELEASED FOR PUBLICATION SEP., 1998.
 © COPYRIGHT 2010 By - ALL RIGHTS RESERVED.

REVISIONS				
P	LTR	DESCRIPTION	DATE	APVD
B1		Reel dia change to 380mm for 2 parts	28JUN2018	KJK PS

Pos.	L _{-1.0}
2	5,08
3	7,62
4	10,16
5	12,7
6	15,24
7	17,78
8	20,32
9	22,86
10	25,4
11	27,94
12	30,48
13	33,02
14	35,56
15	38,1
16	40,64
17	43,18



EMPFOLHENES LEITERPLATTEN LAYOUT
 RECOMMENDED PCB-LAYOUT

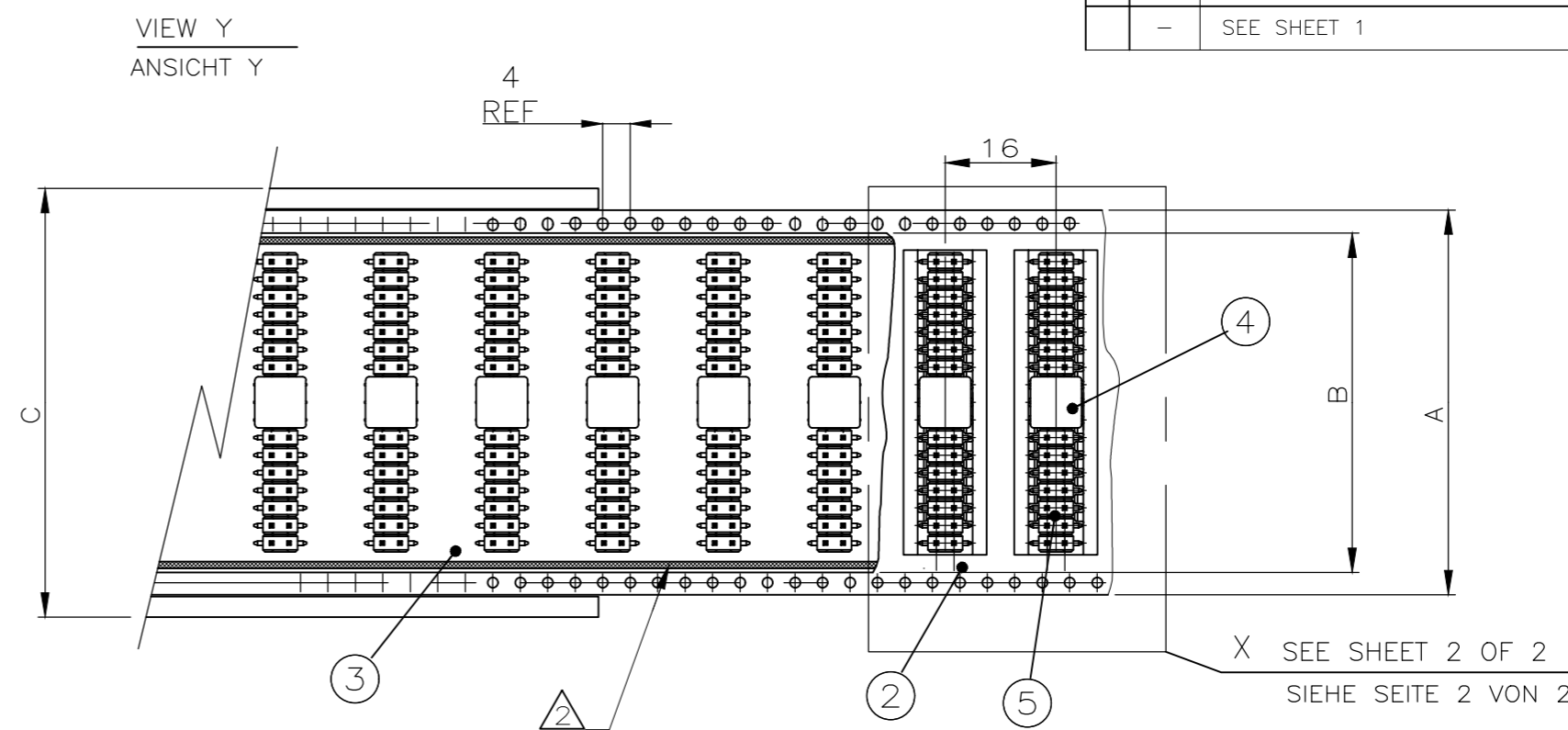
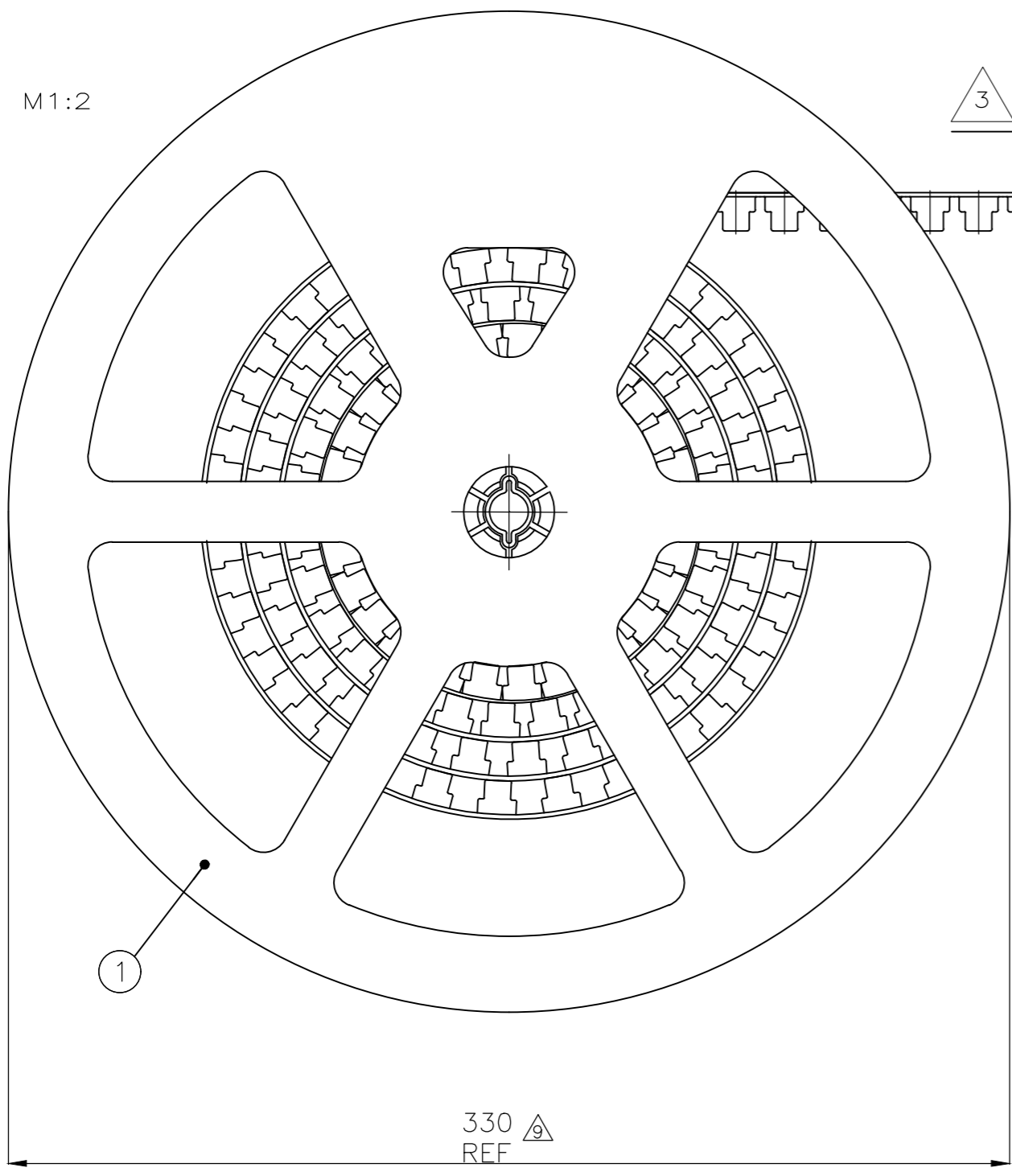


1 MATING SIDE: WITHIN THE RANGE "F" MIN. 0.7µm PdNi + MIN. 0.1µm GOLD FLASH OVER 1.27µm Ni
 SOLDER SIDE: WITHIN THE RANGE "C" MIN. 3.0µm TIN OVER 1.27µm Ni
 STECKSEITE: IM BEREICH "F" MIN. 0.7µm PdNi + MIN. 0.1µm GOLD ÜBER 1.27µm Ni
 LÖTSEITE: IM BEREICH "C" MIN. 3.0µm ZINN ÜBER 1.27µm Ni

KONTAKTSTIFT / CONTACT PIN	Cu Zn	1	2
STIFTGEHÄUSE / PIN HOUSING	PCT-GV	SCHWARZ / BLACK	1
BENENNUNG EINZELTEIL PART DESCRIPTION	WERKSTOFF MATERIAL	OBERFLÄCHE / FARBE SURFACE / COLOR	SI No

THIS DRAWING IS A CONTROLLED DOCUMENT.		DWN F.REICHARDT 16-SEP-98	TE Connectivity Ltd.	
DIMENSIONS: mm		CHK M.SCHAARSCHMIDT 16-SEP-98		
TOLERANCES UNLESS OTHERWISE SPECIFIED: TOL ± 0.2		APVD G.FELDMEIER	NAME AMPMODU II PIN HEADER PACKED IN BLISTER	
		PRODUCT SPEC 108-18012	RESTRICTED TO	
MATERIAL SEE TABLE		FINISH SEE TABLE	SIZE A2	CAGE CODE 00779
		WEIGHT	DRAWING NO C=1241050	SCALE 6:1
		CUSTOMER DRAWING	SHEET 1 OF 3	REV B1

REVISIONS					
P	LTR	DESCRIPTION	DATE	DWN	APVD
-	-	SEE SHEET 1	-	-	-



X SEE SHEET 2 OF 2
 SIEHE SEITE 2 VON 2

QTY	REF	DESCRIPTION	MATERIAL	SURFACE / COLOR
1		AMPMODU II PIN HEADER,SMD,2x17pos		
1		AMPMODU II STIFBLEISTE,SMD, 2x17pol.		
1		AMPMODU II PIN HEADER,SMD,2x16pos		
1		AMPMODU II STIFBLEISTE,SMD, 2x16pol.		
1		AMPMODU II PIN HEADER,SMD,2x15pos		
1		AMPMODU II STIFBLEISTE,SMD, 2x15pol.		
1		AMPMODU II PIN HEADER,SMD,2x14pos		
1		AMPMODU II STIFBLEISTE,SMD, 2x14pol.		
1		AMPMODU II PIN HEADER,SMD,2x13pos		
1		AMPMODU II STIFBLEISTE,SMD, 2x13pol.		
1		AMPMODU II PIN HEADER,SMD,2x12pos		
1		AMPMODU II STIFBLEISTE,SMD, 2x12pol.		
1		AMPMODU II PIN HEADER,SMD,2x11pos		
1		AMPMODU II STIFBLEISTE,SMD, 2x11pol.		
1		AMPMODU II PIN HEADER,SMD,2x10pos		
1		AMPMODU II STIFBLEISTE,SMD, 2x10pol.		
1		AMPMODU II PIN HEADER,SMD,2x9pos		
1		AMPMODU II STIFBLEISTE,SMD, 2x9pol.		
1		AMPMODU II PIN HEADER,SMD,2x8pos		
1		AMPMODU II STIFBLEISTE,SMD, 2x8pol.		
1		AMPMODU II PIN HEADER,SMD,2x7pos		
1		AMPMODU II STIFBLEISTE,SMD, 2x7pol.		
1		AMPMODU II PIN HEADER,SMD,2x6pos		
1		AMPMODU II STIFBLEISTE,SMD, 2x6pol.		
1		AMPMODU II PIN HEADER,SMD,2x5pos		
1		AMPMODU II STIFBLEISTE,SMD, 2x5pol.		
1		AMPMODU II PIN HEADER,SMD,2x4pos		
1		AMPMODU II STIFBLEISTE,SMD, 2x4pol.		
1		AMPMODU II PIN HEADER,SMD,2x3pos		
1		AMPMODU II STIFBLEISTE,SMD, 2x3pol.		
1		AMPMODU II PIN HEADER,SMD,2x2pos		
1		AMPMODU II STIFBLEISTE,SMD, 2x2pol.		
4		ADAPTER	LCP	BLACK / SCHWARZ
4		ADAPTER	LCP	BLACK / SCHWARZ
3		COVER TAPE/ABDECKFOLIE B=49.4	PET	TRANSPARENT
3		COVER TAPE/ABDECKFOLIE B=37.4	PET	TRANSPARENT
3		COVER TAPE/ABDECKFOLIE B=25.4	PET	TRANSPARENT
3		COVER TAPE/ABDECKFOLIE B=13.4	PET	TRANSPARENT
2		BLISTER BELT/BLISTERGURT A=56.0	PS	BLACK / SCHWARZ
2		BLISTER BELT/BLISTERGURT A=44.0	PS	BLACK / SCHWARZ
2		BLISTER BELT/BLISTERGURT A=32.0	PS	BLACK / SCHWARZ
2		BLISTER BELT/BLISTERGURT A=16.0	PS	BLACK / SCHWARZ
1		REEL C=62.4	PS	GREY/GRAU
1		REEL C=50.4	PS	GREY/GRAU
1		REEL C=38.4	PS	GREY/GRAU
1		REEL C=22.4	PS	GREY/GRAU

- NOTES:
- ⚠ SEE SHEET 1 OF 3
 - Ⓜ PACKING: 350 PINHEADERS WITH ADAPTER PER REEL
6.8m BLISTER PER REEL
6.8m COVER TAPE
 - Ⓝ DIRECTION OF THE TOP OF THE REEL
 - Ⓜ COVER TAPE WITH BLISTER BELT WELDED
 - 5. PACKING ACCORDING DIN/IEC 286 RESPECTIVE EIA 481
INCLUSIVE DECLARATIONS ABOUT THE FIRST AND LAST RUNNING
(DIN/IEC 286 PART 3)
 - 6. ARRANGEMENT OF PIN HEADERS IN BLISTER BELT SEE SHEET 2 OF 3
 - ⚠ PACKING: 300 PINHEADERS WITH ADAPTER PER REEL
6.0m BLISTER PER REEL
6.0m COVER TAPE
 - Ⓜ OBSOLETE
 - Ⓜ FOR PN 1-1241050-2 AND 1-1241050-3 PACKAGING REEL DIAMETER IS 380mm REF.

- BEMERKUNGEN:
- ⚠ SIEHE BLATT 1 VON 3
 - Ⓜ VERPACKUNG: 350 STIFBLEISTEN MIT ADAPTER PRO SPULE
6.8m BLISTER PRO SPULE
6.8m ABDECKFOLIE PRO SPULE
 - Ⓝ ABWICKELRICHTUNG
 - Ⓜ ABDECKFOLIE MIT BLISTERGURT VERSCHWEIßT
 - 5. VERPACKUNG ENTSPRECHEND DIN/IEC 286 BZW. EIA 481
INKLUSIVE ANGABEN ÜBER DEN VOR- UND NACHLAUF
(DIN/IEC 286 TEIL 3)
 - 6. ANORDNUNG DER STIFBLEISTEN IM BLISTERGURT SIEHE BLATT 2 VON 3
 - ⚠ VERPACKUNG: 300 STIFBLEISTEN MIT ADAPTER PRO SPULE
6.0m BLISTER PRO SPULE
6.0m ABDECKFOLIE PRO SPULE
 - Ⓜ OBSOLET
 - Ⓜ FÜR PN 1-1241050-2 UND 1-1241050-3 VERPACKUNGSROLLENMESSER IST 380MM REF

THIS DRAWING IS A CONTROLLED DOCUMENT.

DIMENSIONS: mm	TOLERANCES UNLESS OTHERWISE SPECIFIED: 0 PLC ± 0.2 1 PLC ± 0.1 2 PLC ± 0.1 3 PLC ± - 4 PLC ± - ANGLES ± -
MATERIAL SEE TABLE SIEHE TABELLE	FINISH SEE TABLE SIEHE TABELLE

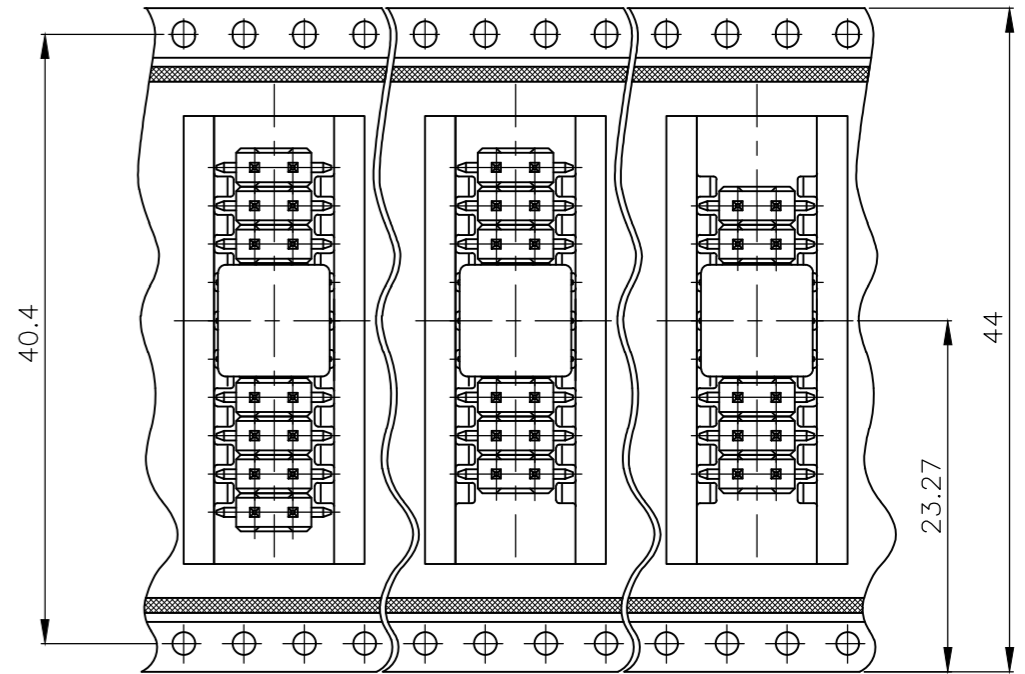
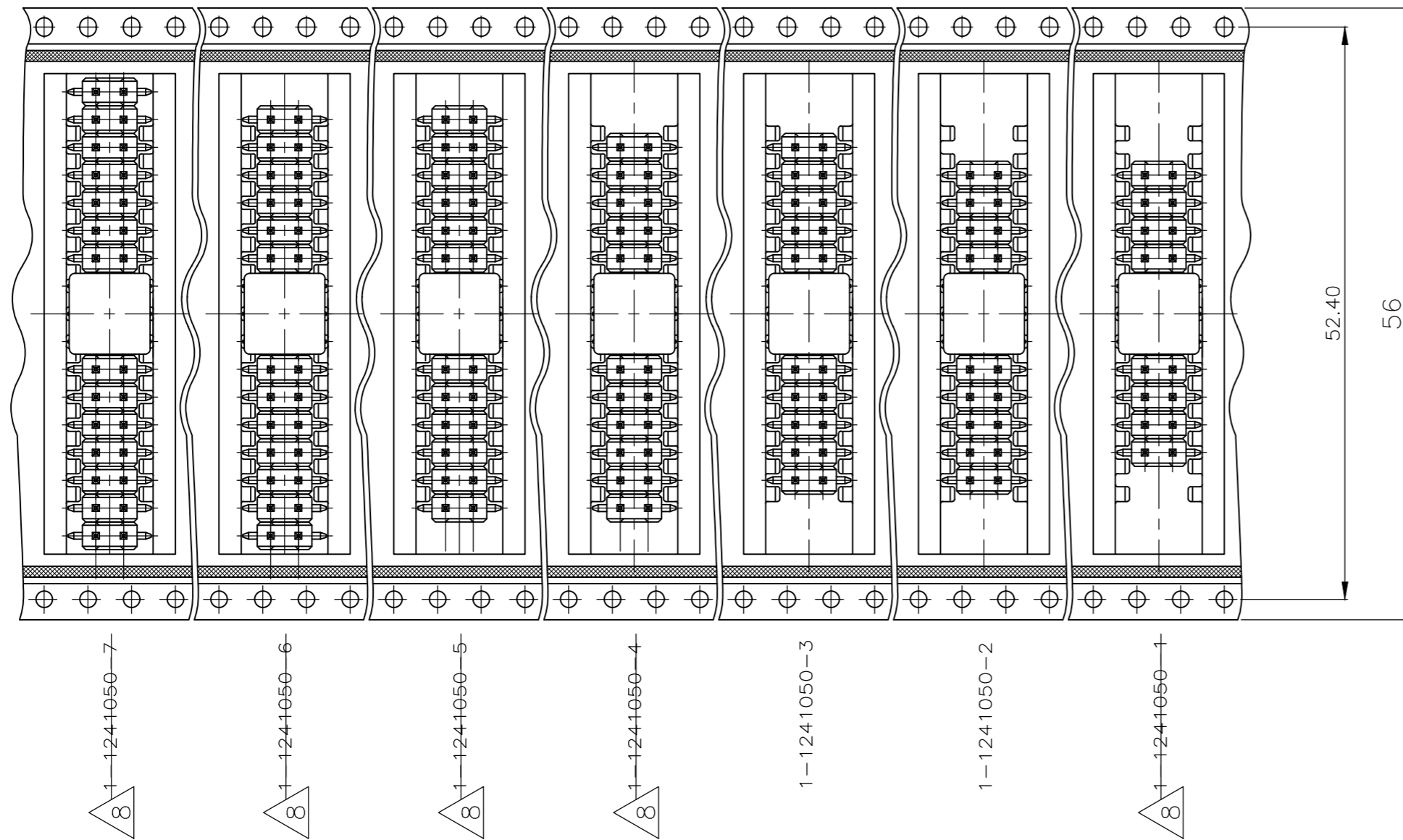
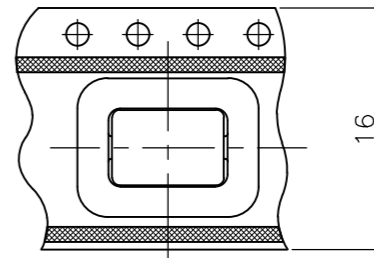
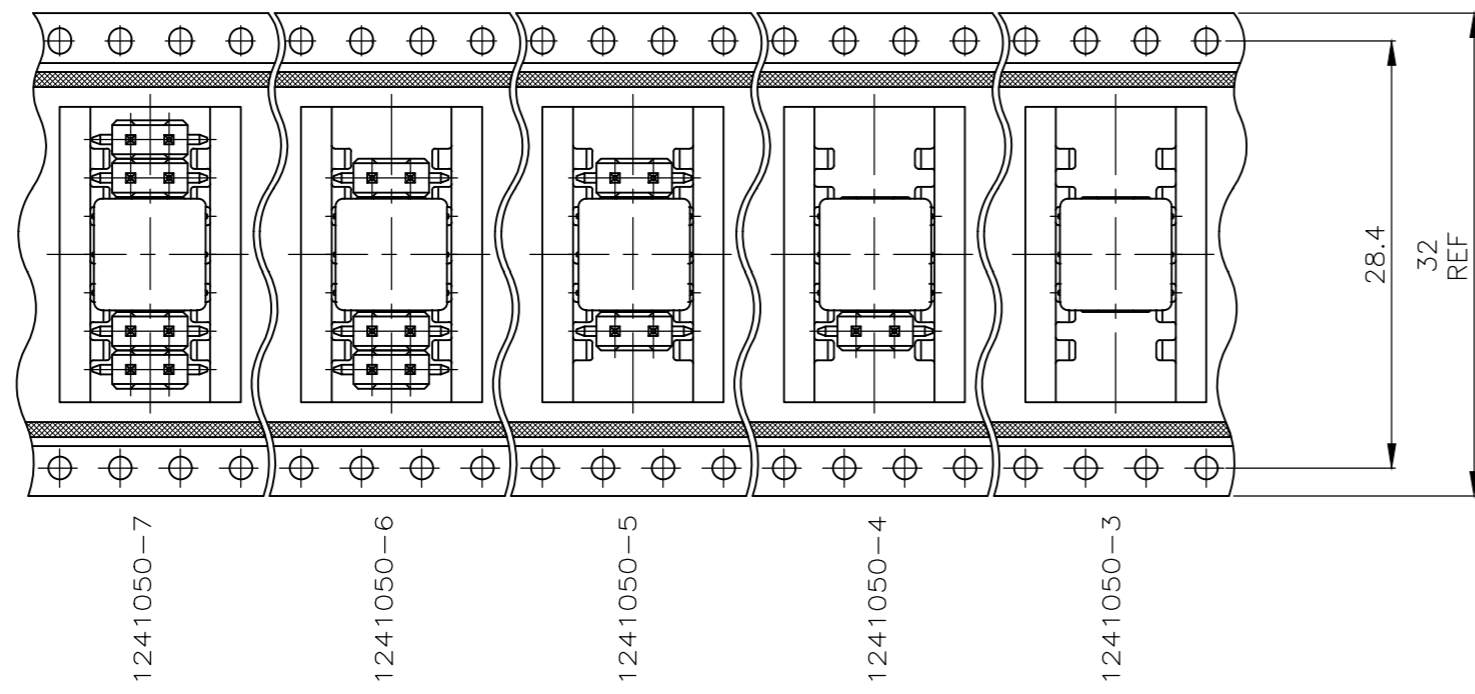
DWN F.REICHARDT 16-SEP-98	CHK M.SCHAARSCHMIDT 16-SEP-98	APVD G.FELDMEIER	NAME -
PRODUCT SPEC 108-18012		APPLICATION SPEC -	
SIZE A2	CAGE CODE 00779	DRAWING NO C-1241050	RESTRICTED TO -
WEIGHT -		CUSTOMER DRAWING	
SCALE 1:1		SHEET 2 of 3	


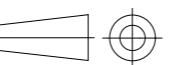


AMPMODU II PIN HEADER PACKED IN BLISTER

THIS DRAWING IS UNPUBLISHED. RELEASED FOR PUBLICATION SEP, 1998.
 © COPYRIGHT 2010 By - ALL RIGHTS RESERVED.

REVISIONS				
P	LTR	DESCRIPTION	DATE	APVD
-	-	SEE SHEET 1	-	-



THIS DRAWING IS A CONTROLLED DOCUMENT.		DWN F. REICHARDT 16-SEP-98	 TE Connectivity Ltd.	
DIMENSIONS: mm		CHK M. SCHAARSCHMIDT 16-SEP-98		
		APVD G. FELDMEIER -	NAME AMPMODU II PIN HEADER PACKED IN BLISTER	
TOLERANCES UNLESS OTHERWISE SPECIFIED:		PRODUCT SPEC 108-18012	RESTRICTED TO	
0 PLC ± 0.2		APPLICATION SPEC	SIZE A2	CAGE CODE 00779
1 PLC ± 0.1		WEIGHT	DRAWING NO. C-1241050	
2 PLC ± 0.1		FINISH	REV B1	
3 PLC ± -		MATERIAL	SCALE 1:1	
4 PLC ± -		CUSTOMER DRAWING	SHEET 3 of 3	
ANGLES ± -				