

# SLA4036

NPN Darlington

With built-in flywheel diode

External dimensions ..... SLA (15-pin)

## Absolute maximum ratings

( $T_a=25^\circ\text{C}$ )

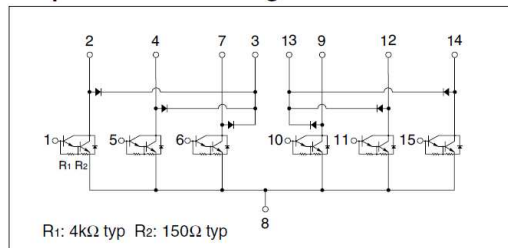
Symbol	Ratings	Unit
$V_{CB0}$	120	V
$V_{CEO}$	120	V
$V_{EBO}$	6	V
$I_c$	2	A
$I_{cP}$	4 ( $PW \leq 1\text{ms}$ , $D_u \leq 50\%$ )	A
$I_B$	0.2	A
$I_F$	2 ( $PW \leq 0.5\text{ms}$ , $D_u \leq 25\%$ )	A
$I_{FSM}$	4 ( $PW \leq 10\text{ms}$ , Single pulse)	A
$V_R$	120	V
$P_T$	5 ( $T_a=25^\circ\text{C}$ )	W
	25 ( $T_c=25^\circ\text{C}$ )	
$T_j$	150	$^\circ\text{C}$
$T_{stg}$	-40 to +150	$^\circ\text{C}$

## Electrical characteristics

( $T_a=25^\circ\text{C}$ )

Symbol	Specification			Unit	Conditions
	min	typ	max		
$I_{cB0}$			10	$\mu\text{A}$	$V_{CB}=120\text{V}$
$I_{EBO}$			10	mA	$V_{EB}=6\text{V}$
$V_{CEO}$	120			V	$I_c=10\text{mA}$
$V_{CEO(SUS)}$	120			V	$I_c=1\text{A}$
$h_{FE}$	2000	5000	12000		$V_{CE}=4\text{V}$ , $I_c=1\text{A}$
$V_{CE(sat)}$		1.1	1.5	V	$I_c=1\text{A}$ , $I_B=2\text{mA}$
$V_{BE(sat)}$		1.8	2.2	V	
$V_{FEC}$		1.3	1.8	V	$I_{FEC}=0.5\text{A}$
$t_{on}$		0.5		$\mu\text{s}$	$V_{CC} \approx 30\text{V}$ , $I_c=0.5\text{A}$ ,
$t_{stg}$		4.5		$\mu\text{s}$	$I_{B1}=-I_{B2}=1\text{mA}$
$t_f$		1.2		$\mu\text{s}$	$V_{CE}=12\text{V}$ , $I_E=-0.1\text{A}$
$f_T$		50		MHz	$V_{CB}=10\text{V}$ , $f=1\text{MHz}$
$C_{ob}$		20		pF	

## Equivalent circuit diagram



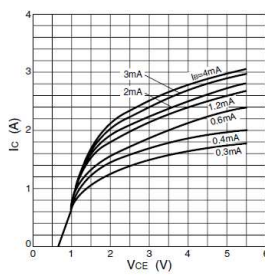
## Diode for flyback voltage absorption

( $T_a=25^\circ\text{C}$ )

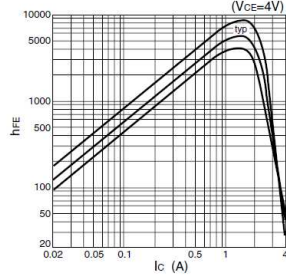
Symbol	Specification			Unit	Conditions
	min	typ	max		
$V_R$	120			V	$I_R=10\mu\text{A}$
$V_F$			1.8	V	$I_F=1\text{A}$
$I_R$			10	$\mu\text{A}$	$V_R=120\text{V}$
$t_{rr}$		100		ns	$I_F=\pm 100\text{mA}$

## Characteristic curves

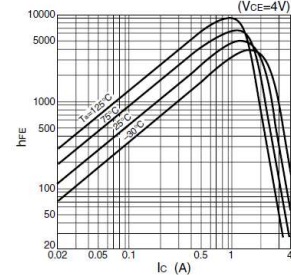
$I_c$ - $V_{CE}$  Characteristics (Typical)



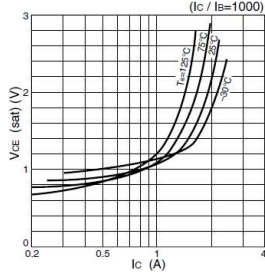
$h_{FE}$ - $I_c$  Characteristics (Typical)



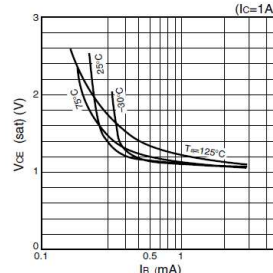
$h_{FE}$ - $I_c$  Temperature Characteristics (Typical)



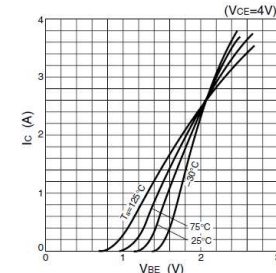
$V_{CE(sat)}$ - $I_c$  Temperature Characteristics (Typical)



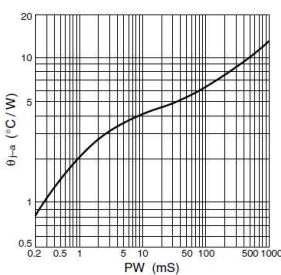
$V_{CE(sat)}$ - $I_B$  Characteristics (Typical)



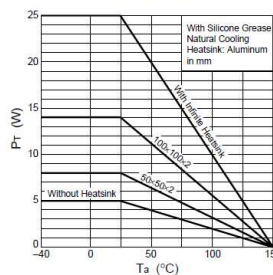
$I_c$ - $V_{BE}$  Temperature Characteristics (Typical)



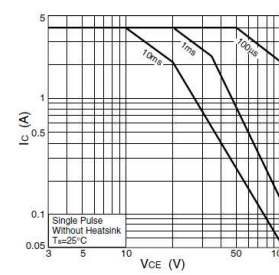
$\theta_{j-a}$ - $PW$  Characteristics



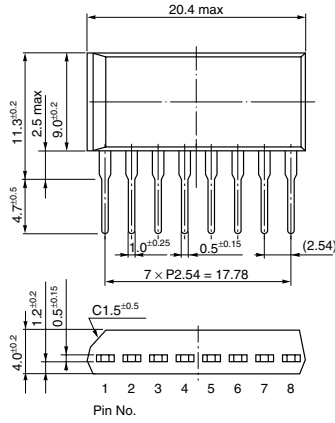
$P_T$ - $T_a$  Characteristics



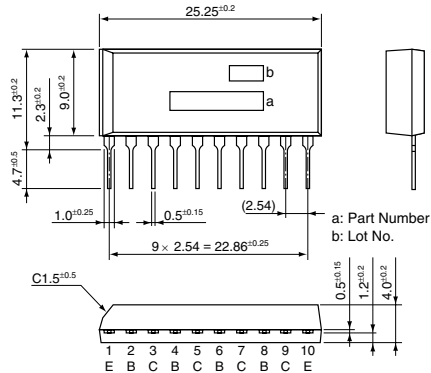
Safe Operating Area (SOA)



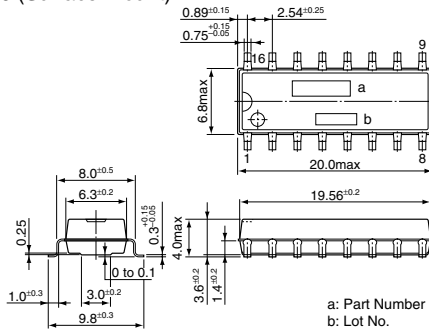
• SIP 8 (STA8Pin)



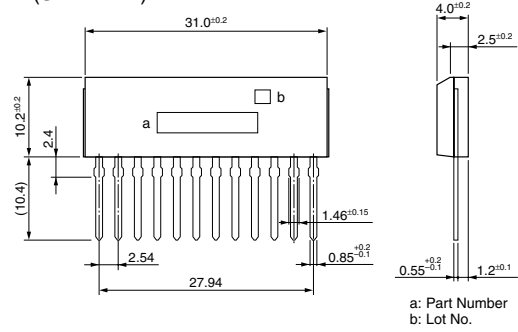
• SIP 10 (STA10Pin)



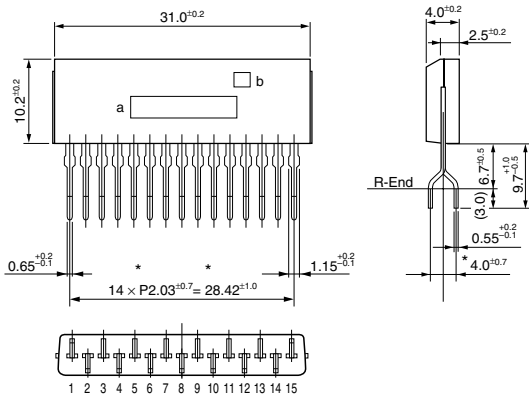
• PS 16 (Surface-Mount)



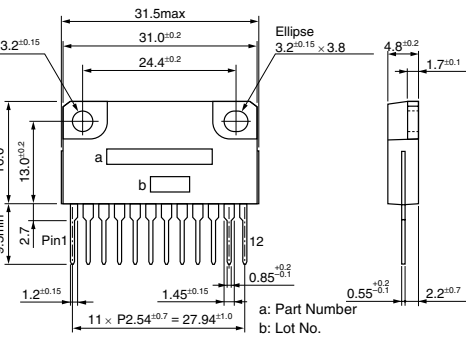
• SIP 12 (SMA12Pin)



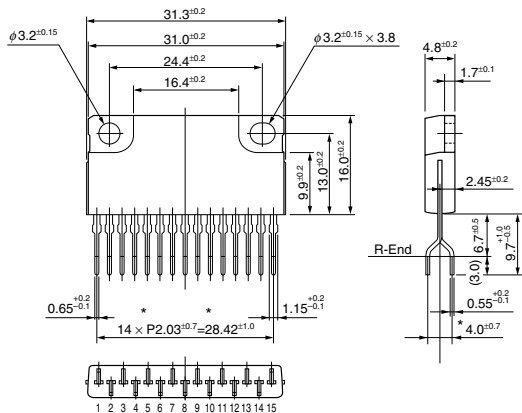
• SIP 15 (SMA15Pin)



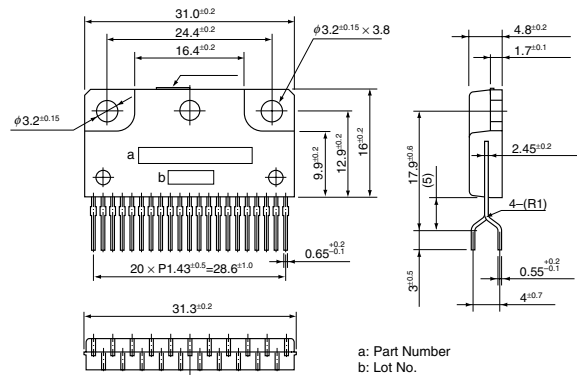
• SIP 12 with Fin (SLA12Pin)



• SIP 15 with Fin (SLA15Pin)



• SIP 21 with Fin (SLA21Pin)



(Unit:mm)