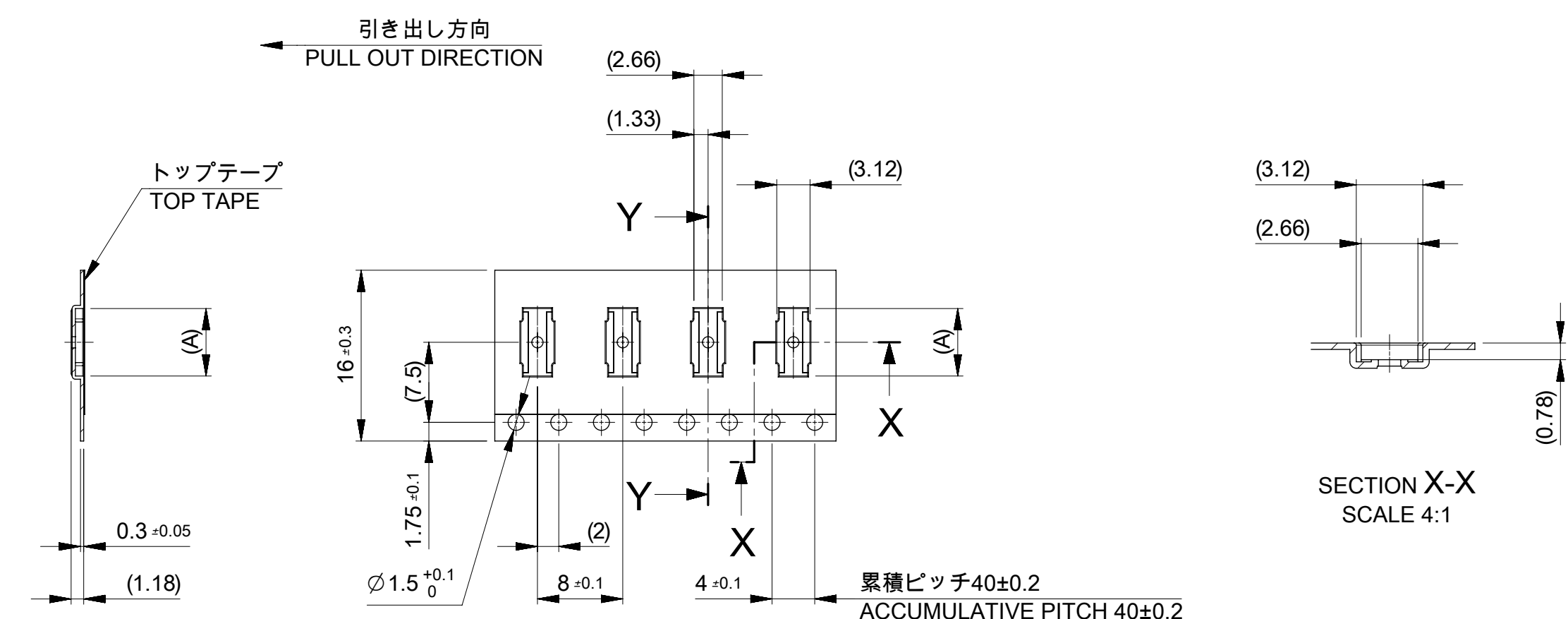


注記 NOTES

- 製品詳細寸法については製品単体図面を参照下さい。
RE DETAILED DIMENSION, SEE PRODUCT DRAWING.
- 梱包数量 : 3000個/リール
NUMBER OF CONNECTORS : 3000PCS/REEL
- リードテープ長さ
LEAD TAPE LENGTH
- カバーテープの剥離強度については、IEC60286-3に準拠
COVER TAPE PEEL FORCE IS DEFINED BY IEC60286-3.
- 材料 MATERIAL
 キャリアテープ (CARRIER TAPE) : ポリスチレン (POLYSTYRENE)
 トップテープ (TOP TAPE) : PET,OTHER
 リール (REEL) : ポリスチレン (PS) <リサイクル材を含む >
 POLYSTYRENE (PS) < RECYCLE MATERIAL CONTAINED >
- 1リール/3000個内において、欠品はなきこと
THERE SHALL BE NO MISSING PRODUCT.
- ELV及びRoHS適合品
ELV AND RoHS COMPLIANT.

MODEL No. 503304-**40

THIS DRAWING CONTAINS INFORMATION THAT IS PROPRIETARY TO MOLEX ELECTRONIC TECHNOLOGIES, LLC AND SHOULD NOT BE USED WITHOUT WRITTEN PERMISSION									
EC NO: 108474 DRWN: JFURUKAWA CHK'D: TASAKAWA APPR: TKUSUHARA01	2016/02/01		GENERAL TOLERANCES (UNLESS SPECIFIED)		DIMENSION UNITS	SCALE			
	2016/10/24		ANGULAR TOL ± 3.0 °		MM	1:1			
	2016/10/25		4 PLACES	± 0.03	DRWN BY	DATE	0.4 BB CONN. H=0.7 REC. ASSY EMBSTP PKG		
			3 PLACES	± 0.03	JFURUKAWA	2016/02/01			
			2 PLACES	± 0.05	CHK'D BY	DATE			
		1 PLACE	± 0.1	TASAKAWA	2016/10/24	PRODUCT CUSTOMER DRAWING			
		0 PLACES	± 0.2	APPR BY	DATE	SERIES	MATERIAL NUMBER	CUSTOMER	
		DRAFT WHERE APPLICABLE MUST REMAIN WITHIN DIMENSIONS		TKUSUHARA01	2016/10/25	503304	SEE CHART	GENERAL	
		A3		THIRD ANGLE PROJECTION		DOCUMENT NUMBER	DOC TYPE	DOC PART	SHEET NUMBER
						5033040000	PSD	000	1 OF 3



SECTION Y-Y

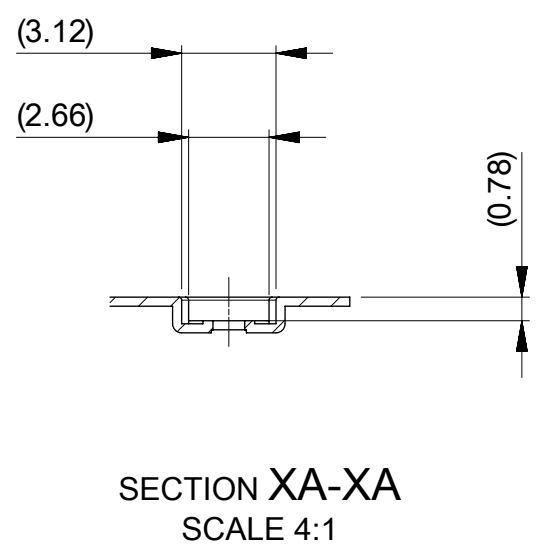
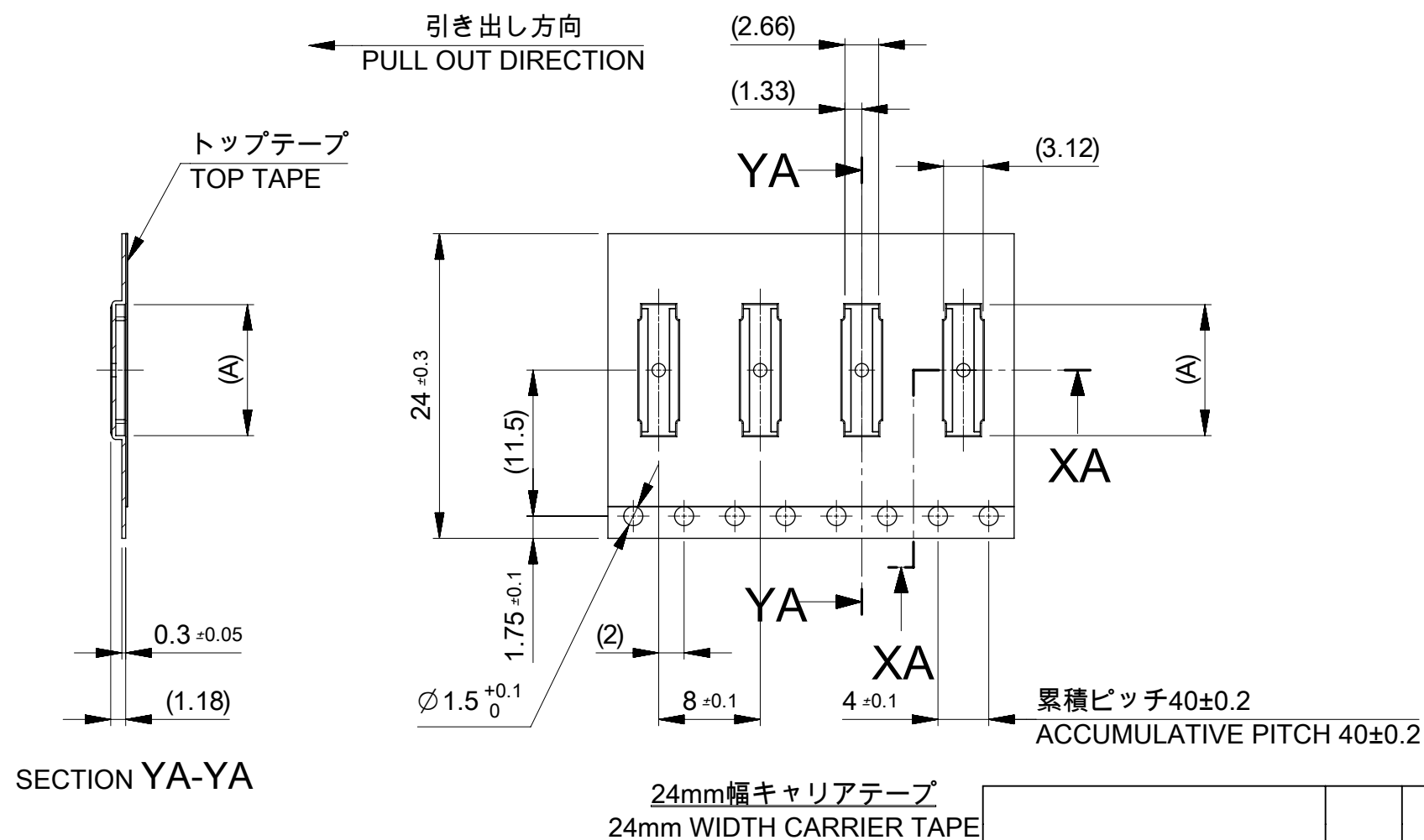
16mm幅キャリアテープ
16mm WIDTH CARRIER TAPE

SECTION X-X
SCALE 4:1

16	21.4	17.4	7.52	503304-2640	○	26
			7.12	503304-2440	○	24
			6.32	503304-2040	○	20
			5.92	503304-1840	○	18
			5.52	503304-1640	○	16
			4.72	503304-1240	○	12
キャリアテープ幅 CARRIER TAPE WIDTH	C	B	(A)	EMBOSSED PACKAGE	HIGH VOL. TOOL	極数 CKT.
				オーダー番号 ORDER No.	SAMPLE PREPARATION	
				MODEL No. 503304-**40		

THIS DRAWING CONTAINS INFORMATION THAT IS PROPRIETARY TO MOLEX ELECTRONIC TECHNOLOGIES, LLC AND SHOULD NOT BE USED WITHOUT WRITTEN PERMISSION

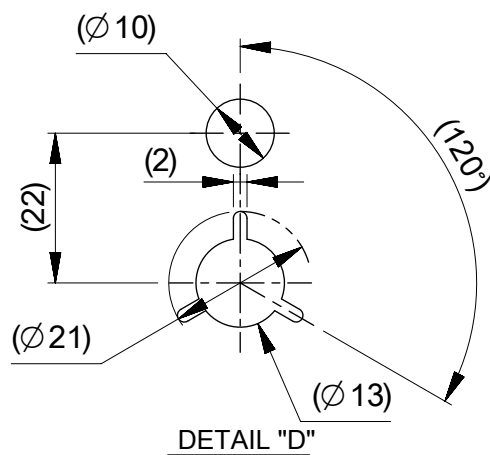
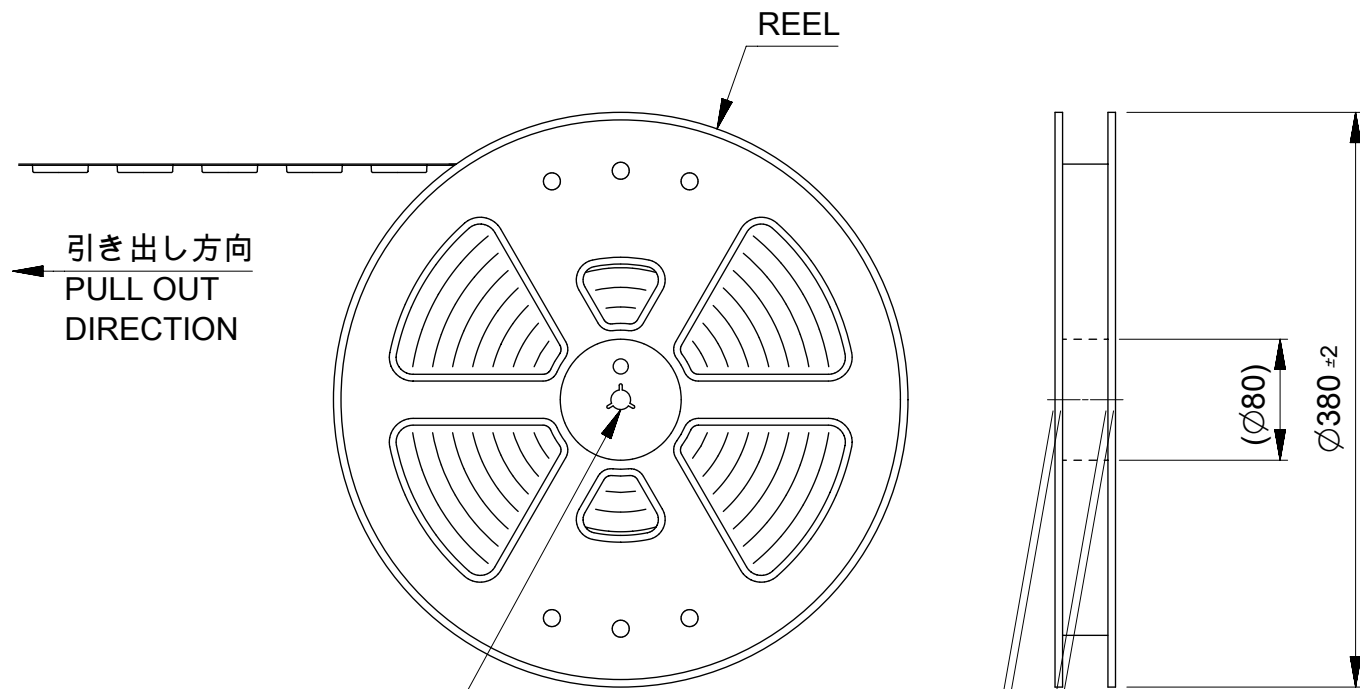
EC NO: 108474 DRWN: JFURUKAWA CHK'D: TASAKAWA APPR: TKUSUHARA01	2016/02/01	GENERAL TOLERANCES (UNLESS SPECIFIED)		DIMENSION UNITS	SCALE					
	2016/10/24	ANGULAR TOL ± 3.0 °		MM	2:1					
	2016/10/25	4 PLACES ± 0.03	DRWN BY	DATE						
		3 PLACES ± 0.03	JFURUKAWA	2016/02/01						
		2 PLACES ± 0.05	CHK'D BY	DATE						
	1 PLACE ± 0.1	TASAKAWA	2016/10/24		0.4 BB CONN. H=0.7 REC. ASSY EMBSTP PKG					
	0 PLACES ± 0.2	APPR BY	DATE							
		TKUSUHARA01	2016/10/25							
		DRAFT WHERE APPLICABLE MUST REMAIN WITHIN DIMENSIONS		DRAWING SIZE	THIRD ANGLE PROJECTION	PRODUCT CUSTOMER DRAWING				
				A3		SERIES	MATERIAL NUMBER	CUSTOMER		
						503304	SEE CHART	GENERAL		
						DOCUMENT NUMBER		DOC TYPE	DOC PART	SHEET NUMBER
						5033040000		PSD	000	2 OF 3



24	29.4	25.4	14.32	503304-6040	○	60
			12.32	503304-5040	○	50
			11.12	503304-4440	○	44
			10.72	503304-4240	○	42
			10.32	503304-4040	○	40
			8.32	503304-3040	○	30
キャリアテープ幅 CARRIER TAPE WIDTH	C	B	(A)	EMBOSSED PACKAGE	HIGH VOL. TOOL	極数 CKT.
				オーダー番号 ORDER No.	SAMPLE PREPARATION	
				MODEL No. 503304-**40		

THIS DRAWING CONTAINS INFORMATION THAT IS PROPRIETARY TO MOLEX ELECTRONIC TECHNOLOGIES, LLC AND SHOULD NOT BE USED WITHOUT WRITTEN PERMISSION

EC NO: 108474 DRWN: JFURUKAWA CHK'D: TASAKAWA APPR: TKUSUHARA01	2016/02/01	GENERAL TOLERANCES (UNLESS SPECIFIED) ANGULAR TOL ± 3.0 ° 4 PLACES ± 0.03 3 PLACES ± 0.03 2 PLACES ± 0.05 1 PLACE ± 0.1 0 PLACES ± 0.2 DRAFT WHERE APPLICABLE MUST REMAIN WITHIN DIMENSIONS	DIMENSION UNITS	SCALE			
	2016/10/24		MM	2:1			
	2016/10/25		DRWN BY	DATE		JFURUKAWA 2016/02/01	
			CHK'D BY	DATE		TASAKAWA 2016/10/24	
			APPR BY	DATE		TKUSUHARA01 2016/10/25	
		DRAFTING SIZE	THIRD ANGLE PROJECTION	PRODUCT CUSTOMER DRAWING			
		A3		SERIES	MATERIAL NUMBER	CUSTOMER	
				503304	SEE CHART	GENERAL	
				DOCUMENT NUMBER	DOC TYPE	DOC PART	SHEET NUMBER
				5033040000	PSD	000	3 OF 3

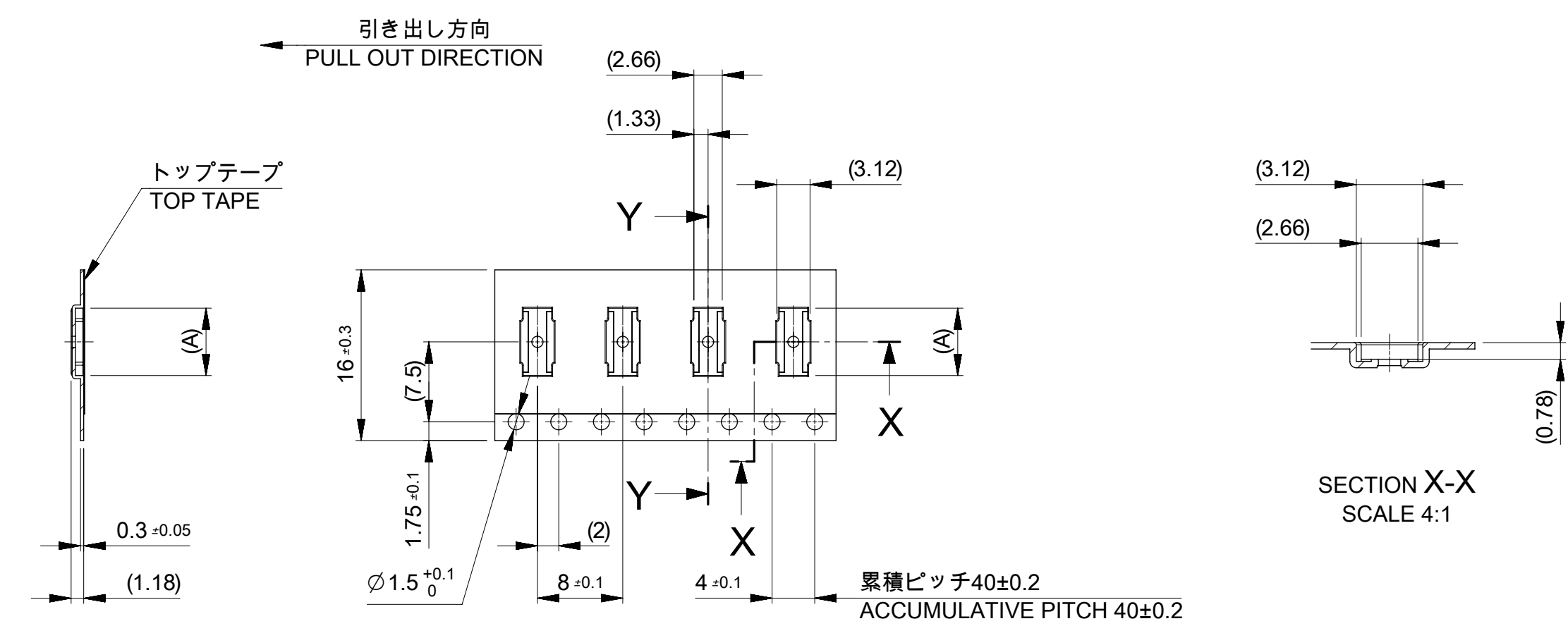


注記 NOTES

- 製品詳細寸法については製品単体図面を参照下さい。
DETAIL DIMENSIONS, SEE PRODUCT DRAWING.
- 梱包数量 : 9000個/リール
NUMBER OF CONNECTORS : 9000PCS/REEL
- リードテープ長さ
LEAD TAPE LENGTH
- カバーテープの剥離強度については、IEC60286-3に準拠
COVER TAPE PEEL FORCE IS DEFINED BY IEC60286-3.
- 材料 MATERIAL
 キャリアテープ (CARRIER TAPE) : ポリスチレン (POLYSTYRENE)
 トップテープ (TOP TAPE) : PET,OTHER
 リール (REEL) : ポリスチレン (PS) <リサイクル材を含む >
 POLYSTYRENE (PS) < RECYCLE MATERIAL CONTAINED >
- 1リール/9000個内において、欠品はなきこと
THERE SHALL BE NO MISSING PRODUCT.
- ELV及びRoHS適合品
ELV AND RoHS COMPLIANT.

MODEL No. 503304-**42

THIS DRAWING CONTAINS INFORMATION THAT IS PROPRIETARY TO MOLEX ELECTRONIC TECHNOLOGIES, LLC AND SHOULD NOT BE USED WITHOUT WRITTEN PERMISSION										
RELEASED	EC NO. 113200	DRWN: GABE	CHK'D: KTAKAHASHI	APPR: MSASAO	2016/11/24	2017/02/21	2017/02/21	GENERAL TOLERANCES (UNLESS SPECIFIED)		
	4 PLACES		± 0.03		ANGULAR TOL ± 3.0 °		DIMENSION UNITS		SCALE	
	3 PLACES		± 0.03		DRWN BY		DATE		MM	1:1
	2 PLACES		± 0.05		CHK'D BY		DATE		GABE 2016/11/24	
	1 PLACE		± 0.1		KTAKAHASHI		2017/02/21		PRODUCT CUSTOMER DRAWING	
0 PLACES		± 0.2		APPR BY		DATE		MSASAO 2017/02/21		
DRAFT WHERE APPLICABLE MUST REMAIN WITHIN DIMENSIONS					DRAWING SIZE		THIRD ANGLE PROJECTION			
A					A3					
SERIES			MATERIAL NUMBER			CUSTOMER				
503304			SEE CHART			GENERAL				
DOCUMENT NUMBER				DOC TYPE		DOC PART		SHEET NUMBER		
5033040001				PSD		000		1 OF 3		



SECTION Y-Y

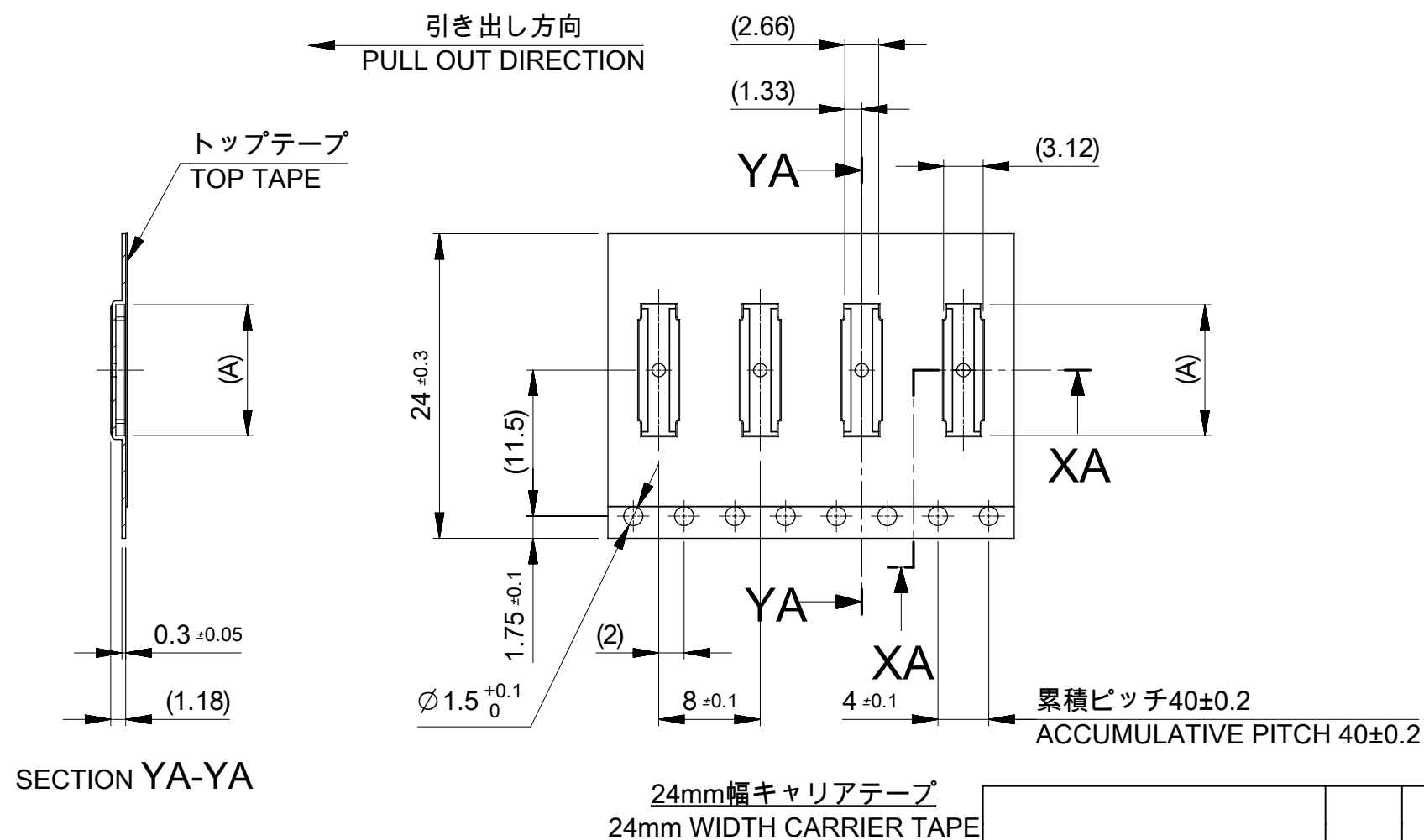
16mm幅キャリアテープ
16mm WIDTH CARRIER TAPE

SECTION X-X
SCALE 4:1

16	21.4	17.4	7.52	503304-2642	○	26
			7.12	503304-2442	○	24
			6.32	503304-2042	○	20
			5.92	503304-1842	○	18
			5.52	503304-1642	○	16
			4.72	503304-1242	○	12
キャリアテープ幅 CARRIER TAPE WIDTH	C	B	(A)	EMBOSSED PACKAGE	HIGH VOL. TOOL	極数 CKT.
				オーダー番号 ORDER No.	SAMPLE PREPARATION	
				MODEL No. 503304-**42		

THIS DRAWING CONTAINS INFORMATION THAT IS PROPRIETARY TO MOLEX ELECTRONIC TECHNOLOGIES, LLC AND SHOULD NOT BE USED WITHOUT WRITTEN PERMISSION

EC NO: 113200 DRWN: GABE CHK'D: KTAKAHASHI APPR: MSASAO REV: A	2016/11/24 2017/02/21 2017/02/21	GENERAL TOLERANCES (UNLESS SPECIFIED) ANGULAR TOL ± 3.0 ° 4 PLACES ± 0.03 3 PLACES ± 0.03 2 PLACES ± 0.05 1 PLACE ± 0.1 0 PLACES ± 0.2	DIMENSION UNITS: MM SCALE: 2:1 DRWN BY: GABE DATE: 2016/11/24 CHK'D BY: KTAKAHASHI DATE: 2017/02/21 APPR BY: MSASAO DATE: 2017/02/21	molex® 0.4 BB CONN. H=0.7 REC. ASSY EMBSTP PKG
	DRAFT WHERE APPLICABLE MUST REMAIN WITHIN DIMENSIONS		DRAWING SIZE: A3 THIRD ANGLE PROJECTION	PRODUCT CUSTOMER DRAWING
			SERIES: 503304 MATERIAL NUMBER: SEE CHART CUSTOMER: GENERAL	DOCUMENT NUMBER: 5033040001 DOC TYPE: PSD DOC PART: 000 SHEET NUMBER: 2 OF 3



SECTION YA-YA

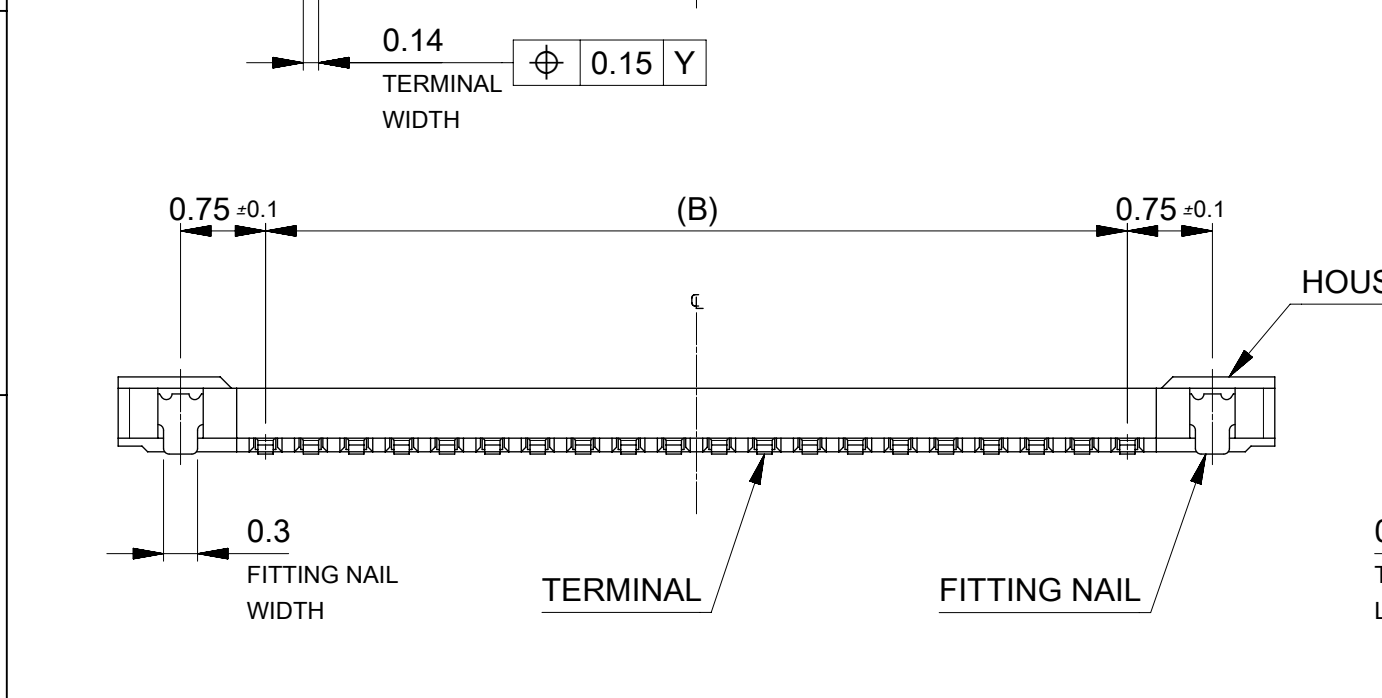
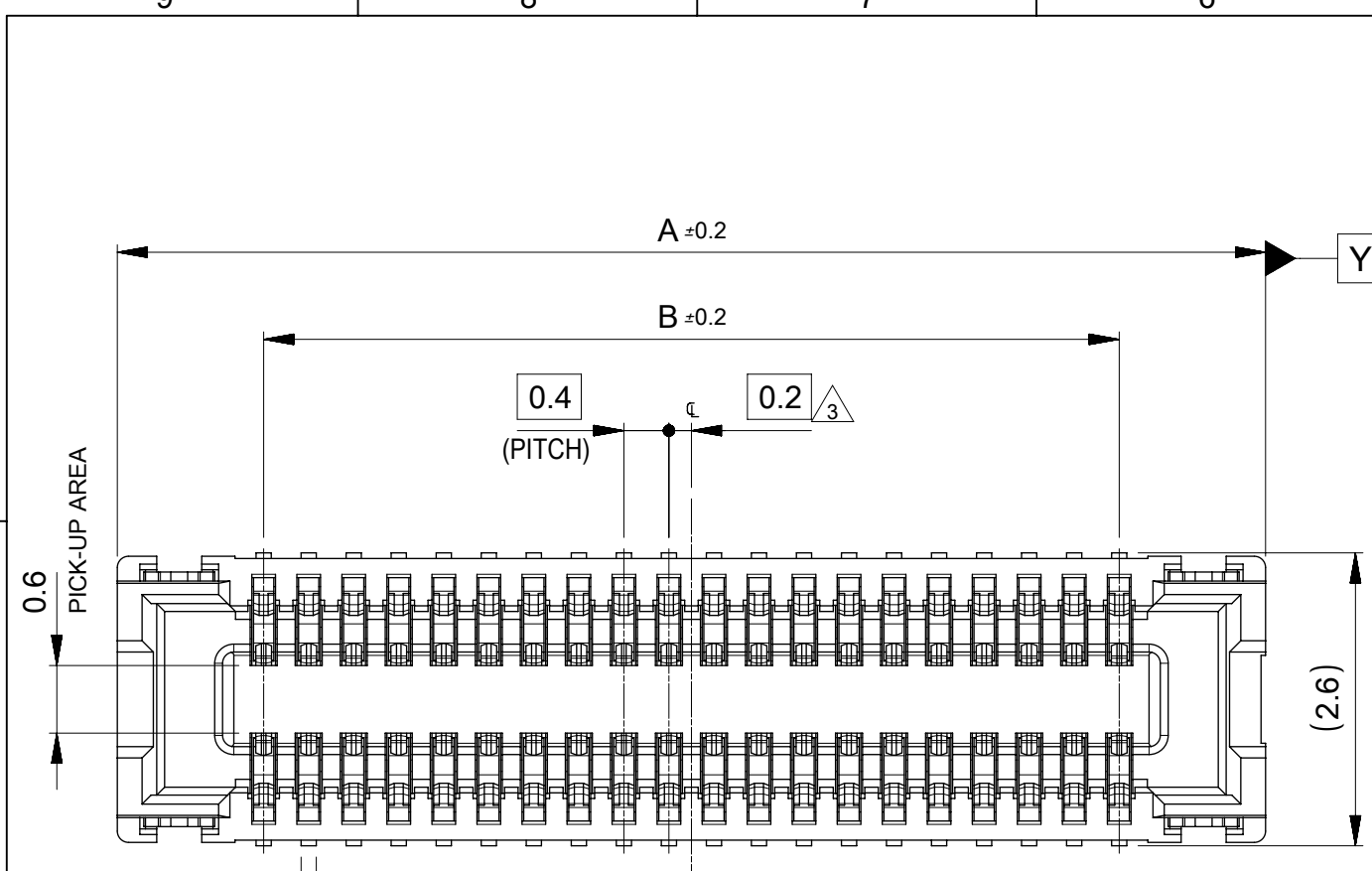
SECTION XA-XA
SCALE 4:1

24mm幅キャリアテープ
24mm WIDTH CARRIER TAPE

24	29.4	25.4	14.32	503304-6042	○	60
			12.32	503304-5042	○	50
			11.12	503304-4442	○	44
			10.72	503304-4242	○	42
			10.32	503304-4042	○	40
			8.32	503304-3042	○	30
キャリアテープ幅 CARRIER TAPE WIDTH	C	B	(A)	EMBOSSED PACKAGE	HIGH VOL. TOOL	極数 CKT.
				オーダー番号 ORDER No.	SAMPLE PREPARATION	
				MODEL No. 503304-**42		

THIS DRAWING CONTAINS INFORMATION THAT IS PROPRIETARY TO MOLEX ELECTRONIC TECHNOLOGIES, LLC AND SHOULD NOT BE USED WITHOUT WRITTEN PERMISSION

EC NO: 113200 DRWN: GABE CHK'D: KTAKAHASHI APPR: MSASAO REV: A	2016/11/24 2017/02/21 2017/02/21	GENERAL TOLERANCES (UNLESS SPECIFIED) ANGULAR TOL ± 3.0 ° 4 PLACES ± 0.03 3 PLACES ± 0.03 2 PLACES ± 0.05 1 PLACE ± 0.1 0 PLACES ± 0.2	DIMENSION UNITS: MM SCALE: 2:1 DRWN BY: GABE DATE: 2016/11/24 CHK'D BY: KTAKAHASHI DATE: 2017/02/21 APPR BY: MSASAO DATE: 2017/02/21				
	DRAFT WHERE APPLICABLE MUST REMAIN WITHIN DIMENSIONS			DRAWING SIZE: A3 THIRD ANGLE PROJECTION	0.4 BB CONN. H=0.7 REC. ASSY EMBSTP PKG		
	PRODUCT CUSTOMER DRAWING				SERIES: 503304	MATERIAL NUMBER: SEE CHART	CUSTOMER: GENERAL
	RELEASED				DOCUMENT NUMBER: 5033040001 DOC TYPE: PSD DOC PART: 000 SHEET NUMBER: 3 OF 3		



注記 NOTES

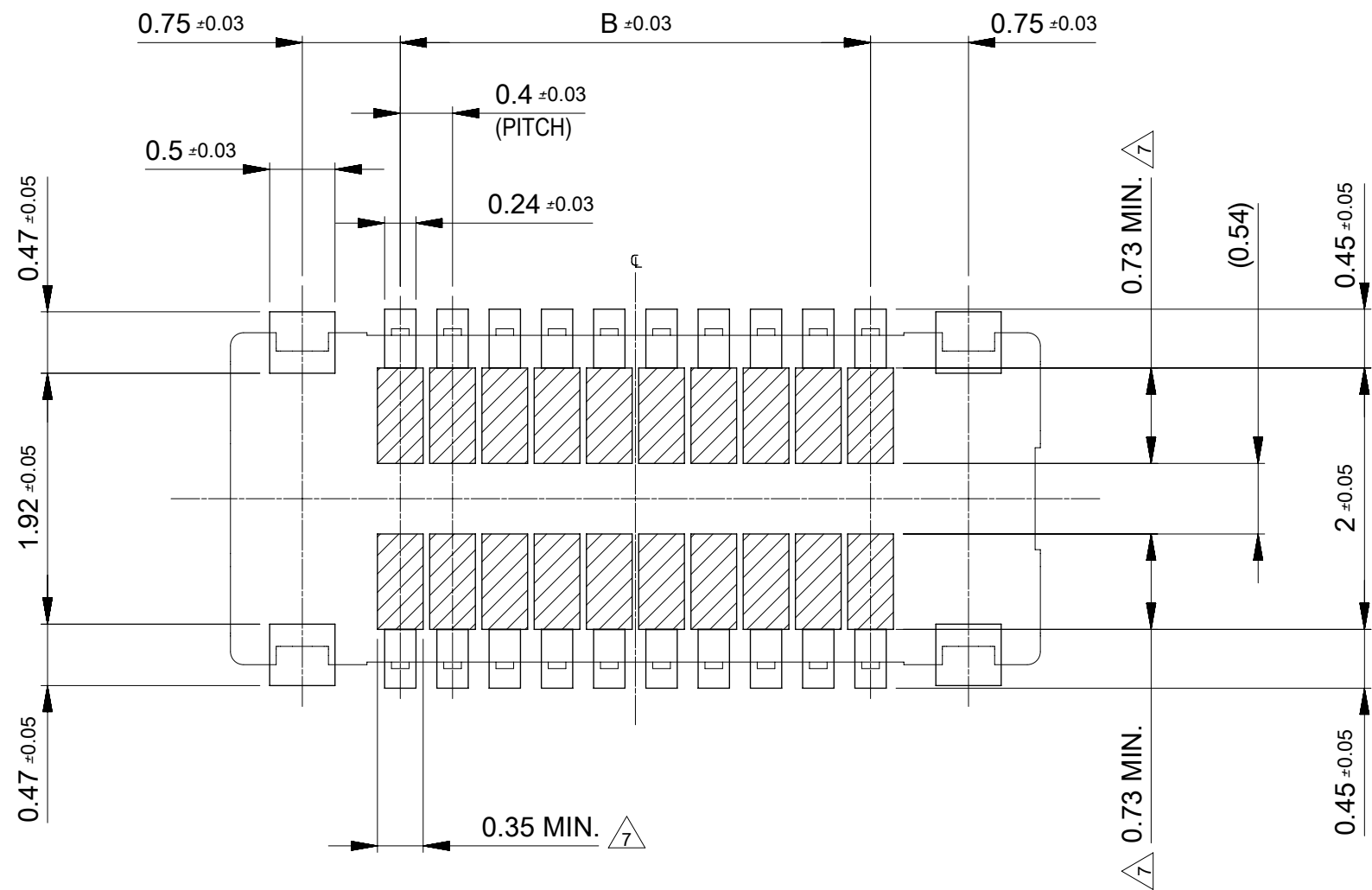
1. 使用材料 MATERIAL
 ハウジング : 液晶ポリマー(LCP) UL94V-0(黒)
 HOUSING : LIQUID CRYSTAL POLYMER, UL94V-0 (COLOR : BLACK)
 ターミナル : 銅合金
 TERMINAL : COPPER ALLOY
 金具 : 銅合金
 FITTING NAIL : COPPER ALLOY
2. めっき仕様 PLATING
 ターミナル TERMINAL
 コンタクト部 : 金めっき 0.1マイクロメートル以上
 CONTACT AREA : GOLD 0.1 MICROMETER MINIMUM.
 テール部 : 金めっき
 SOLDER TAIL AREA : GOLD
 下地めっき : ニッケルめっき 1.0マイクロメートル以上
 UNDER PLATING : NICKEL 1.0 MICROMETER MINIMUM.
 ※コンタクト部とテール部は、ニッケルめっきによって分断されている金めっきです。
 DIVIDE INTO PARTS THE GOLD PLATING OF THE CONTACT AND THE TAIL PART BY THE NICKEL PLATING.
- 金具 FITTING NAIL
 錫めっき : 1.0マイクロメートル以上
 TIN PLATING : 1.0 MICROMETER MINIMUM.
 下地めっき : ニッケルめっき 1.0マイクロメートル以上
 UNDER PLATING : NICKEL 1.0 MICROMETER MINIMUM.

- △₃ (全極数/2)=偶数の場合に適用。
 APPLY FOR (CIRCUIT/2)=EVEN.
4. 嵌合相手 : 503308シリーズ
 MATE WITH : 503308 SERIES.
5. テール平坦度は、0.08以下。
 テール及び金具の平坦度は、0.1以下。
 TAIL COPLANARITY TO BE 0.08 MAXIMUM.
 TAIL AND FITTING NAIL COPLANARITY TO BE 0.1 MAXIMUM.
6. ELV AND RoHS COMPLIANT.
- △₇ パターン及び半田禁止エリア
 (当該箇所においては、これと接する回路以外の配線を禁止する。
 また、接する回路を配線する場合はレジストを施し、この部分に半田は無きこととする。)
 PROHIBITED AREA OF PATTERN WIRING AND SOLDER.
 (FOR EACH AREA, THE WIRING THAT TOUCHES ON THE SOLDER CAN BE ATTACHED. THEN COVERD WITH A FILM TO KEEP SOLDER OUT.)

11.6	14.2	503304-6040	○	60
9.6	12.2	503304-5040	○	50
8.4	11.0	503304-4440	○	44
8.0	10.6	503304-4240	○	42
7.6	10.2	503304-4040	○	40
5.6	8.2	503304-3040	○	30
4.8	7.4	503304-2640	○	26
4.4	7.0	503304-2440	○	24
3.6	6.2	503304-2040	○	20
3.2	5.8	503304-1840	○	18
2.8	5.4	503304-1640	○	16
2.0	4.6	503304-1240	○	12
B	A	EMBOSSED PACKAGE	HIGH VOL. TOOL	極数
		オーダー番号 ORDER No.	SAMPLE PREPARATION	CIRCUITS
CONNECTOR SERIES No. : 503304-**49				

THIS DRAWING CONTAINS INFORMATION THAT IS PROPRIETARY TO MOLEX ELECTRONIC TECHNOLOGIES, LLC AND SHOULD NOT BE USED WITHOUT WRITTEN PERMISSION

EC NO: 108474 DRWN: JFURUKAWA CHK'D: TASAKAWA APPR: TKUSUHARA01	2016/01/13	GENERAL TOLERANCES (UNLESS SPECIFIED) ANGULAR TOL ± 3.0 ° 4 PLACES ± 0.03 3 PLACES ± 0.03 2 PLACES ± 0.05 1 PLACE ± 0.1 0 PLACES ± 0.2 DRAFT WHERE APPLICABLE MUST REMAIN WITHIN DIMENSIONS	DIMENSION UNITS	SCALE		
	2016/10/24		MM	15:1		
	2016/10/25		DRWN BY	DATE		JFURUKAWA 2016/01/13
			CHK'D BY	DATE		TASAKAWA 2016/10/24
			APPR BY	DATE		TKUSUHARA01 2016/10/25
A	REV	DRAWING SIZE	THIRD ANGLE PROJECTION	PRODUCT CUSTOMER DRAWING		
		A3		SERIES	MATERIAL NUMBER	
				503304	SEE CHART	
				DOCUMENT NUMBER	DOC TYPE	
				5033041000	PSD	
				DOC PART	SHEET NUMBER	
				000	1 OF 2	



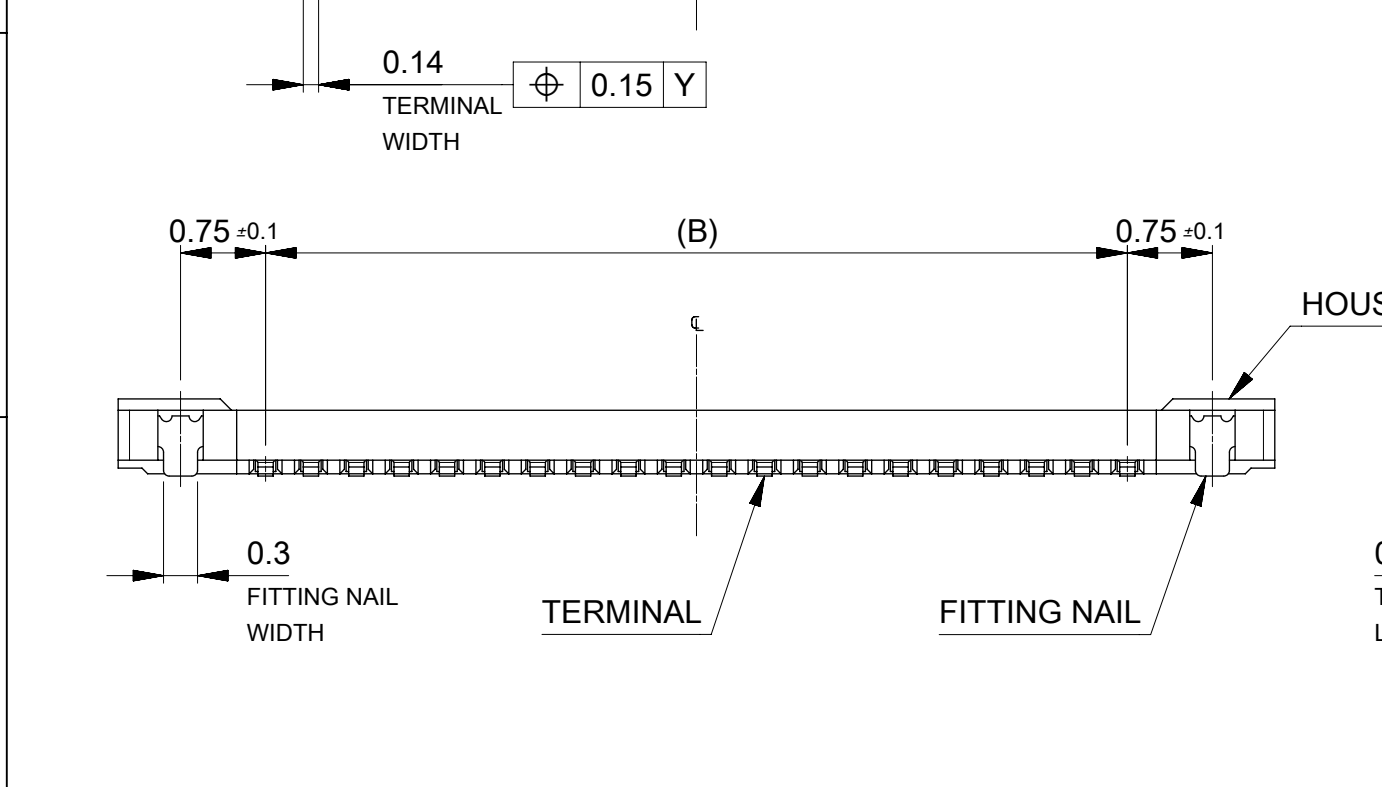
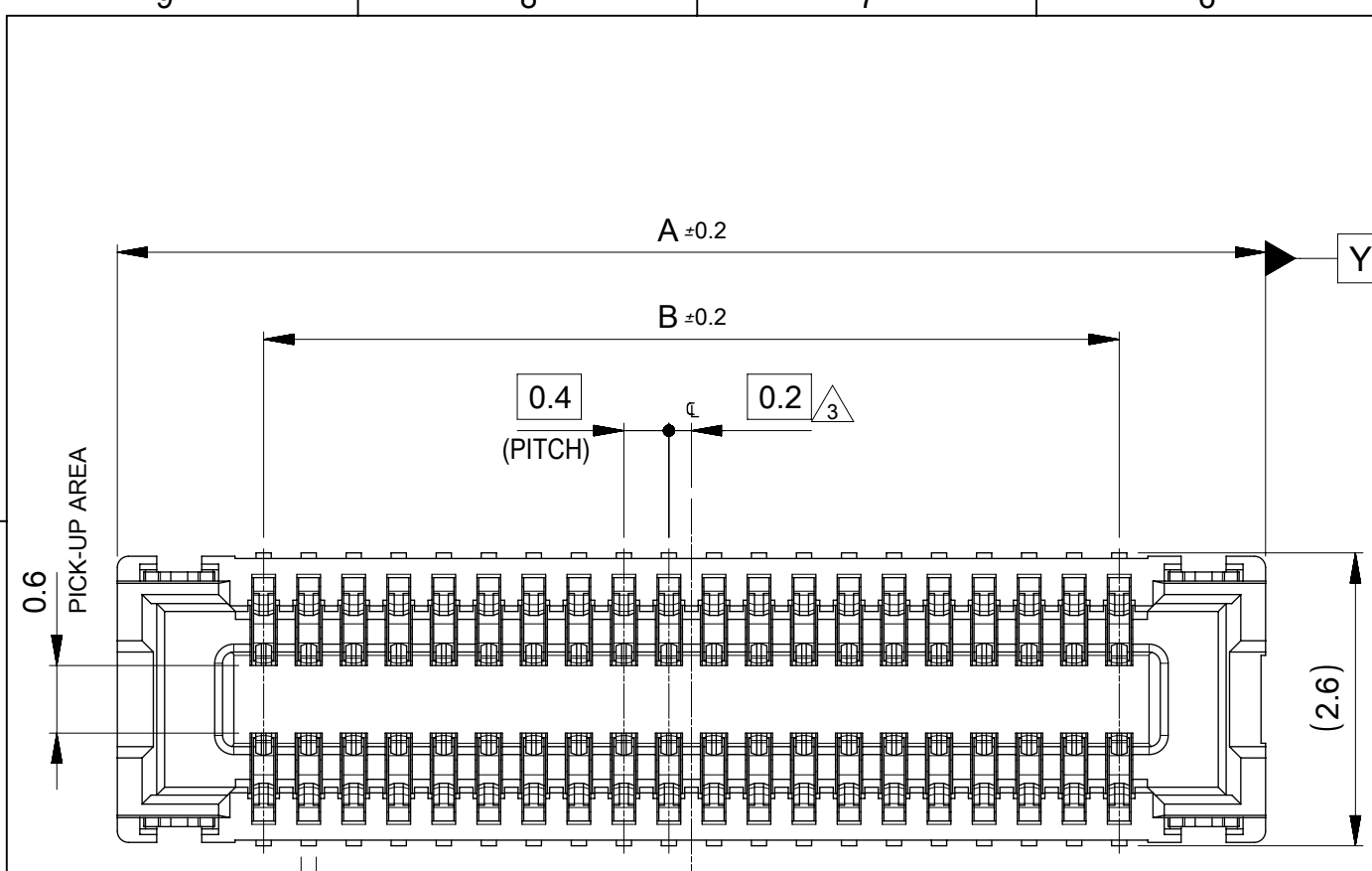
RECOMMENDED P.W.BOARD PATTERN LAYOUT (REFERENCE)

RECOMMENDED THICKNESS OF METAL MASK : t=0.1 mm

RECOMMENDED OPEN APERTURE RATIO OF METAL MASK : 100%

THIS DRAWING CONTAINS INFORMATION THAT IS PROPRIETARY TO MOLEX ELECTRONIC TECHNOLOGIES, LLC AND SHOULD NOT BE USED WITHOUT WRITTEN PERMISSION

EC NO: 108474 DRWN: JFURUKAWA CHK'D: TASAKAWA APPR: TKUSUHARA01	2016/01/13	GENERAL TOLERANCES (UNLESS SPECIFIED)		DIMENSION UNITS	SCALE					
	2016/10/24	ANGULAR TOL ± 3.0 °		MM	20:1					
	2016/10/25	4 PLACES	± 0.03	DRWN BY	DATE	0.4 BB CONN. H=0.7 REC. ASSY				
		3 PLACES	± 0.03	JFURUKAWA	2016/01/13					
		2 PLACES	± 0.05	CHK'D BY	DATE	PRODUCT CUSTOMER DRAWING				
	1 PLACE	± 0.1	TASAKAWA	2016/10/24						
	0 PLACES	± 0.2	APPR BY	DATE	SERIES	MATERIAL NUMBER	CUSTOMER			
			TKUSUHARA01	2016/10/25	503304	SEE CHART	GENERAL			
			DRAFT WHERE APPLICABLE MUST REMAIN WITHIN DIMENSIONS		DRAWING SIZE	THIRD ANGLE PROJECTION	DOCUMENT NUMBER	DOC TYPE	DOC PART	SHEET NUMBER
					A3		5033041000	PSD	000	2 OF 2



注記 NOTES

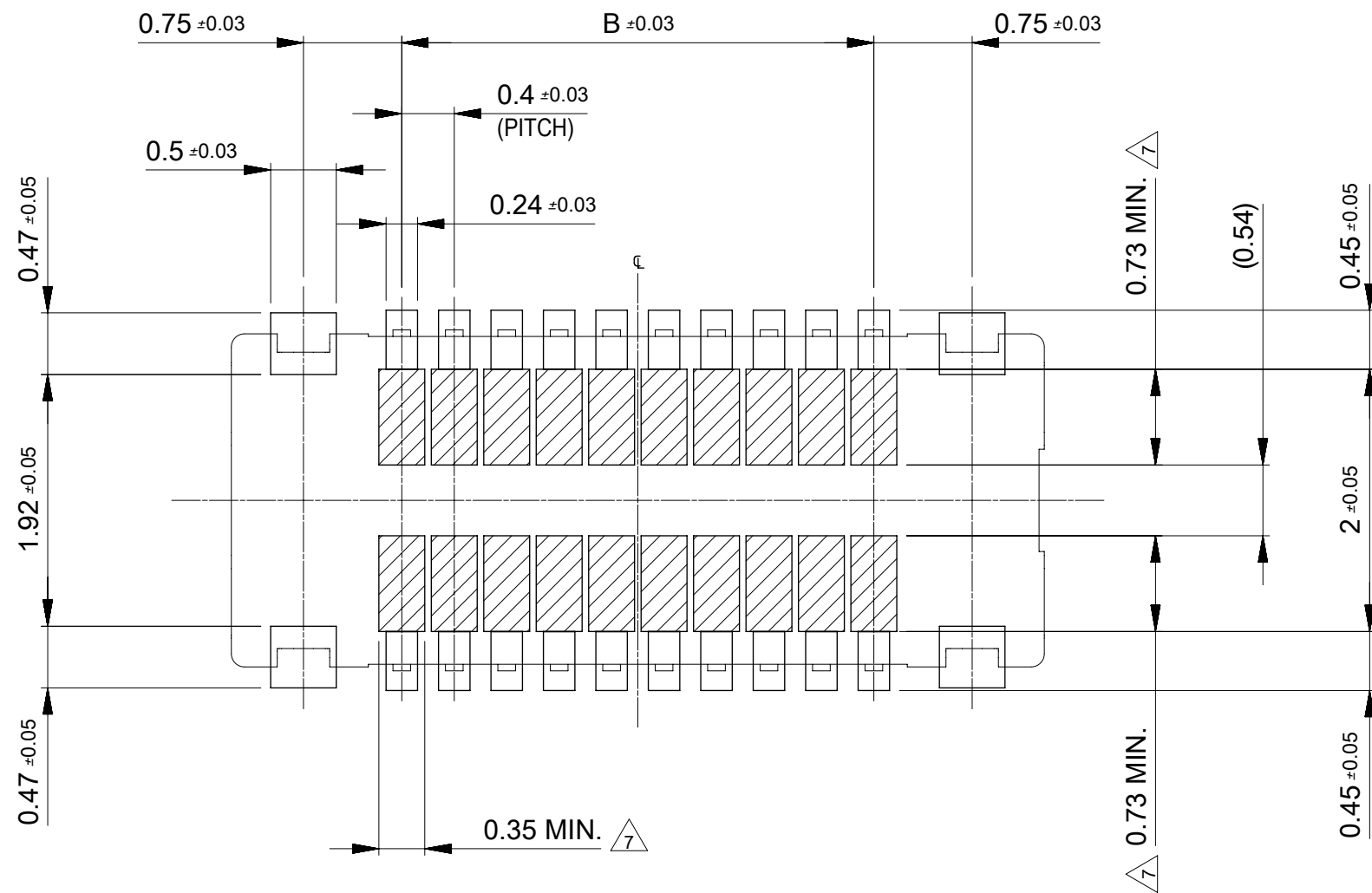
1. 使用材料 MATERIAL
 ハウジング : 液晶ポリマー(LCP) UL94V-0(黒)
 HOUSING : LIQUID CRYSTAL POLYMER, UL94V-0 (COLOR : BLACK)
 ターミナル : 銅合金
 TERMINAL : COPPER ALLOY
 金具 : 銅合金
 FITTING NAIL : COPPER ALLOY
2. めっき仕様 PLATING
 ターミナル TERMINAL
 コンタクト部 : 金めっき 0.1マイクロメートル以上
 CONTACT AREA : GOLD 0.1 MICROMETER MINIMUM.
 テール部 : 金めっき
 SOLDER TAIL AREA : GOLD
 下地めっき : ニッケルめっき 1.0マイクロメートル以上
 UNDER PLATING : NICKEL 1.0 MICROMETER MINIMUM.
 ※コンタクト部とテール部は、ニッケルめっきによって分断されている金めっきです。
 DIVIDE INTO PARTS THE GOLD PLATING OF THE CONTACT AND THE TAIL PART BY THE NICKEL PLATING.
- 金具 FITTING NAIL
 錫めっき : 1.0マイクロメートル以上
 TIN PLATING : 1.0 MICROMETER MINIMUM.
 下地めっき : ニッケルめっき 1.0マイクロメートル以上
 UNDER PLATING : NICKEL 1.0 MICROMETER MINIMUM.

- △₃ (全極数/2)=偶数の場合に適用。
 APPLY FOR (CIRCUIT/2)=EVEN.
4. 嵌合相手 : 503308シリーズ
 MATE WITH : 503308 SERIES.
5. テール平坦度は、0.08以下。
 テール及び金具の平坦度は、0.1以下。
 TAIL COPLANARITY TO BE 0.08 MAXIMUM.
 TAIL AND FITTING NAIL COPLANARITY TO BE 0.1 MAXIMUM.
6. ELV AND RoHS COMPLIANT.
- △₇ パターン及び半田禁止エリア
 (当該箇所においては、これと接する回路以外の配線を禁止する。
 また、接する回路を配線する場合はレジストを施し、この部分に半田は無きこととする。)
 PROHIBITED AREA OF PATTERN WIRING AND SOLDER.
 (FOR EACH AREA, THE WIRING THAT TOUCHES ON THE SOLDER CAN BE ATTACHED. THEN COVERD WITH A FILM TO KEEP SOLDER OUT.)

11.6	14.2	503304-6042	○	60
9.6	12.2	503304-5042	○	50
8.4	11.0	503304-4442	○	44
8.0	10.6	503304-4242	○	42
7.6	10.2	503304-4042	○	40
5.6	8.2	503304-3042	○	30
4.8	7.4	503304-2642	○	26
4.4	7.0	503304-2442	○	24
3.6	6.2	503304-2042	○	20
3.2	5.8	503304-1842	○	18
2.8	5.4	503304-1642	○	16
2.0	4.6	503304-1242	○	12
B	A	EMBOSSED PACKAGE	HIGH VOL. TOOL	極数 CIRCUITS
		オーダー番号 ORDER No.	SAMPLE PREPARATION	
		CONNECTOR SERIES No. : 503304-**49		

THIS DRAWING CONTAINS INFORMATION THAT IS PROPRIETARY TO MOLEX ELECTRONIC TECHNOLOGIES, LLC AND SHOULD NOT BE USED WITHOUT WRITTEN PERMISSION

EC NO: 113200 DRWN: GABE CHK'D: KTAKAHASHI APPR: MSASAO	2016/11/24	GENERAL TOLERANCES (UNLESS SPECIFIED) ANGULAR TOL ± 3.0 ° 4 PLACES ± 0.03 3 PLACES ± 0.03 2 PLACES ± 0.05 1 PLACE ± 0.1 0 PLACES ± 0.2 DRAFT WHERE APPLICABLE MUST REMAIN WITHIN DIMENSIONS	DIMENSION UNITS	SCALE			
	2017/02/21		MM	15:1			
	2017/02/21		DRWN BY	DATE		GABE 2016/11/24	
			CHK'D BY	DATE		KTAKAHASHI 2017/02/21	
			APPR BY	DATE		MSASAO 2017/02/21	
		DRAWING SIZE	THIRD ANGLE PROJECTION	PRODUCT CUSTOMER DRAWING			
		A3		SERIES	MATERIAL NUMBER	CUSTOMER	
				503304	SEE CHART	GENERAL	
				DOCUMENT NUMBER	DOC TYPE	DOC PART	SHEET NUMBER
				5033041001	PSD	000	1 OF 2



RECOMMENDED P.W.BOARD PATTERN LAYOUT (REFERENCE)

RECOMMENDED THICKNESS OF METAL MASK : t=0.1 mm

RECOMMENDED OPEN APERTURE RATIO OF METAL MASK : 100%

THIS DRAWING CONTAINS INFORMATION THAT IS PROPRIETARY TO MOLEX ELECTRONIC TECHNOLOGIES, LLC AND SHOULD NOT BE USED WITHOUT WRITTEN PERMISSION

EC NO: 113200 DRWN: GABE CHK'D: KTAKAHASHI APPR: MSASAO	2016/11/24 2017/02/21 2017/02/21	GENERAL TOLERANCES (UNLESS SPECIFIED) ANGULAR TOL ± 3.0 °	DIMENSION UNITS: MM SCALE: 20:1				
	4 PLACES ± 0.03 3 PLACES ± 0.03 2 PLACES ± 0.05 1 PLACE ± 0.1 0 PLACES ± 0.2	DRWN BY: GABE DATE: 2016/11/24	CHK'D BY: KTAKAHASHI DATE: 2017/02/21				0.4 BB CONN. H=0.7 REC. ASSY
	DRAFT WHERE APPLICABLE MUST REMAIN WITHIN DIMENSIONS	APPR BY: MSASAO DATE: 2017/02/21	DRAWING SIZE: A3 THIRD ANGLE PROJECTION	PRODUCT CUSTOMER DRAWING			
				SERIES: 503304 MATERIAL NUMBER: SEE CHART CUSTOMER: GENERAL			
				DOCUMENT NUMBER: 5033041001 DOC TYPE: PSD DOC PART: 000 SHEET NUMBER: 2 OF 2			