

LITE-ON TECHNOLOGY CORPORATION.

IRDA Product Change Notification

For IrDA product EOL: HSDL-3208-021, Replacement: HSDL-3208-025

Technical Contact:

NAME: Amy Ge

EMAIL: amy.ge@liteon.com

PHONE: + 86-22-82193000 ext: 8357

PCN Type: Minor

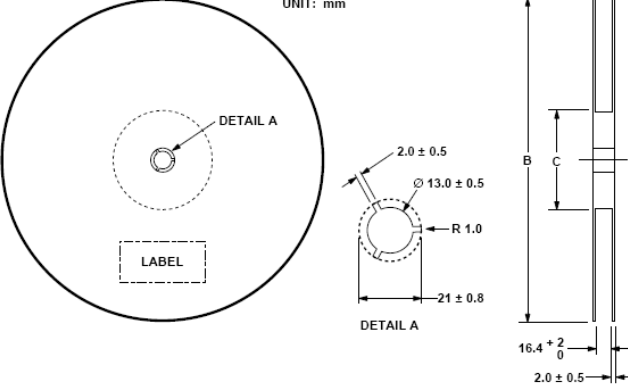
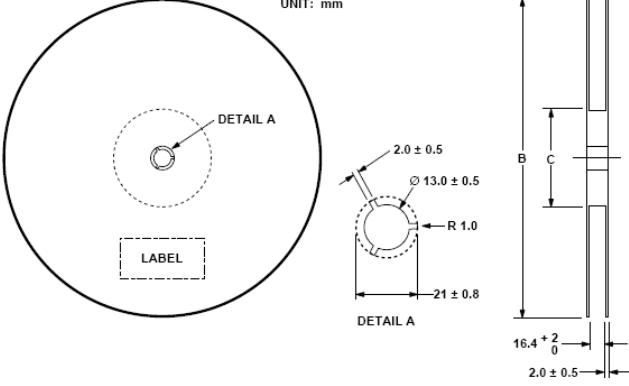
Modification Description:

LITE-ON would EOL HSDL-3208-021 (is 7inch reel, tape pitch is 4mm)

Replacement with part number: HSDL-3208-025 (13inch reel, tape pitch is 8mm)

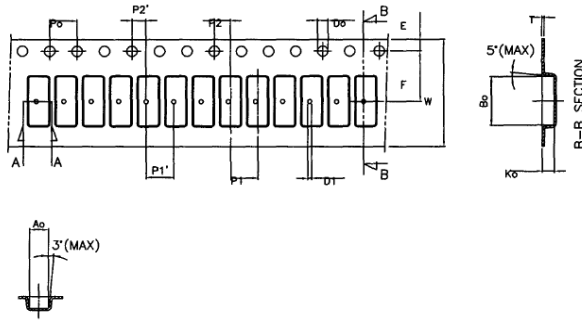
HSDL-3208-025 has the same function and performance with only the difference in taping & reel

Detail as below:

Items	HSDL-3208-021	HSDL-3208-025																
Reel	<table border="1" data-bbox="491 1261 707 1308"> <thead> <tr> <th>OPTION #</th> <th>"B"</th> <th>"C"</th> <th>QUANTITY</th> </tr> </thead> <tbody> <tr> <td>021</td> <td>178</td> <td>60</td> <td>2500</td> </tr> </tbody> </table> <p data-bbox="491 1312 555 1330">UNIT: mm</p> 	OPTION #	"B"	"C"	QUANTITY	021	178	60	2500	<table border="1" data-bbox="1129 1261 1406 1308"> <thead> <tr> <th>Option#</th> <th>"B"</th> <th>"C"</th> <th>Quantity</th> </tr> </thead> <tbody> <tr> <td>025</td> <td>330</td> <td>99.5</td> <td>2500</td> </tr> </tbody> </table> <p data-bbox="1161 1312 1225 1330">UNIT: mm</p> 	Option#	"B"	"C"	Quantity	025	330	99.5	2500
OPTION #	"B"	"C"	QUANTITY															
021	178	60	2500															
Option#	"B"	"C"	Quantity															
025	330	99.5	2500															

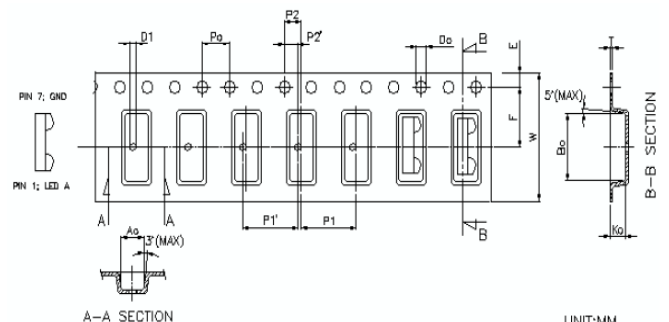
These changes have been reviewed and approved by Lite-On Technology engineers and managers per Lite-On Technology procedure: Change Control and Customer Notification, PCN: L2014-3200-2A Please contact your Lite-On Technology Sales/Customer Service/Filed sales engineer or Contact Center (<http://optoelectronics.liteon.com/en-us/about/contact-us.aspx>) for any questions or support requirements. Please return any response as soon as possible, but not to exceed 30 days

Tape



UNIT:MM

symbol	A_0	B_0	K_0	P_0	P_1/P_1'	P_2	T
spec	2.95 ± 0.10	7.40 ± 0.10	1.80 ± 0.10	4.0 ± 0.10	4.0 ± 0.10	2.35 ± 0.10	0.30 ± 0.10
symbol	E	F	D_0	D_1	W	$10P_0$	P_2'
spec	1.75 ± 0.10	7.50 ± 0.10	1.55 ± 0.05	0.50 ± 0.10	16.0 ± 0.20	40.0 ± 0.20	2.0 ± 0.10



UNIT:MM

symbol	A_0	B_0	K_0	P_0	P_1/P_1'	P_2	T
spec	2.95 ± 0.10	7.40 ± 0.10	1.80 ± 0.10	4.0 ± 0.10	8.0 ± 0.10	2.35 ± 0.10	0.30 ± 0.10
symbol	E	F	D_0	D_1	W	$10P_0$	P_2'
spec	1.75 ± 0.10	7.50 ± 0.10	1.55 ± 0.05	$\emptyset 0.50 \pm 0.1$	16.0 ± 0.30	40.0 ± 0.20	2.0 ± 0.10

These changes have been reviewed and approved by Lite-On Technology engineers and managers per Lite-On Technology procedure: Change Control and Customer Notification, PCN: L2014-3200-2A Please contact your Lite-On Technology Sales/Customer Service/Filed sales engineer or Contact Center (<http://optoelectronics.liteon.com/en-us/about/contact-us.aspx>) for any questions or support requirements. Please return any response as soon as possible, but not to exceed 30 days