



R1163x SERIES

3-MODE 150mA LDO REGULATOR with the Reverse Current Protection

NO.EA-118-190320

OUTLINE

The R1163x Series consist of CMOS-based voltage regulator ICs with high output voltage accuracy and low supply current. These ICs perform with the chip enable function and realize a standby mode with ultra low supply current. To prevent the destruction by over current, the current limit circuit is included. The R1163x Series have 3-mode. One is standby mode with CE or standby control pin. Other two modes are realized with ECO pin. Fast Transient Mode (FT mode) and Low Power Mode (LP mode) are alternative with ECO pin. Consumption current is reduced at Low Power Mode compared with Fast Transient Mode. The output voltage is maintained between FT mode and LP mode.

Further, the reverse current protection circuit is built-in. Therefore, if a higher voltage than V_{DD} pin is forced to the output pin, the reverse current to V_{DD} pin is very small (Max. $0.1\mu\text{A}$), so it is suitable for backup circuit.

Since the packages for these ICs are SOT-23-5, SON-6, and DFN(PL)1616-6 packages, high density mounting of the ICs on boards is possible.

FEATURES

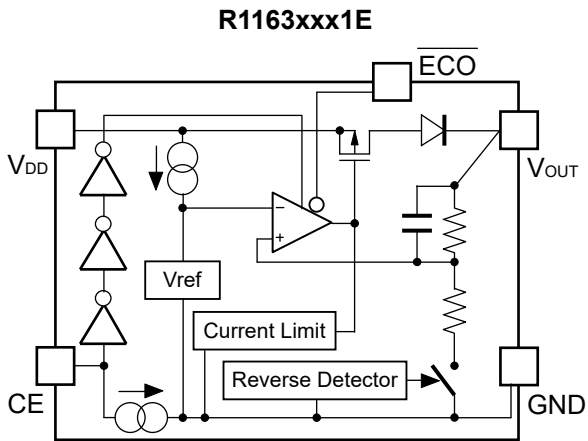
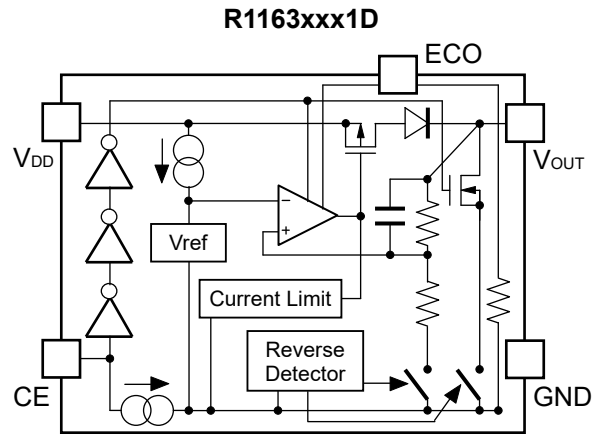
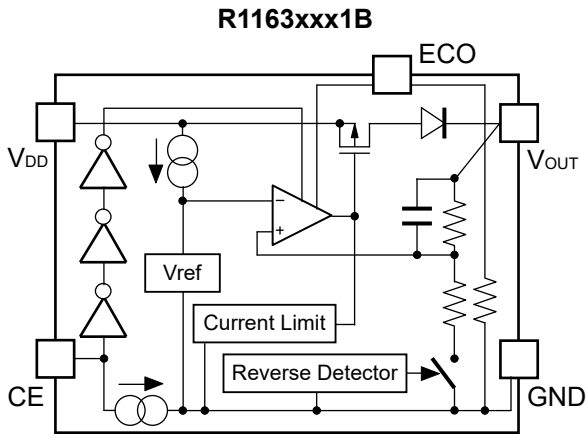
- Supply Current Typ. $6.0\mu\text{A}$ (Low Power Mode),
Typ. $70\mu\text{A}$ (Fast Transient Mode)
- Standby Mode Typ. $0.6\mu\text{A}$
- Reverse Current Max. $0.1\mu\text{A}$
- Input Voltage Range 2.0V to 6.0V
- Output Voltage Range 1.5V to 5.0V (0.1V steps)
(For other voltages, please refer to MARK INFORMATIONS.)
- Output Voltage Accuracy $\pm 1.5\%$ ($\pm 2.5\%$ at Low Power Mode)
- Temperature-Drift Coefficient of Output Voltage .. Typ. $\pm 100\text{ppm}/^\circ\text{C}$
- Dropout Voltage Typ. 0.25V ($I_{\text{OUT}}=150\text{mA}$, $V_{\text{OUT}}=2.8\text{V}$)
- Ripple Rejection Typ. 70dB ($f=1\text{kHz}$, Fast Transient Mode)
- Line Regulation Typ. $0.02\%/V$ (Fast Transient Mode)
- Packages DFN(PL)1616-6, SOT-23-5, SON-6
- Built-in fold-back protection circuit Typ. 40mA (Current at short mode)
- Performs with Ceramic Capacitors $C_{\text{IN}}=\text{Ceramic } 1.0\mu\text{F}$, $C_{\text{OUT}}=\text{Ceramic } 0.47\mu\text{F}$

APPLICATIONS

- Precision Voltage References.
- Power source for electrical appliances such as cameras, VCRs and hand-held communication equipment.
- Power source for battery-powered equipment.

R1163x

BLOCK DIAGRAM



SELECTION GUIDE

The output voltage, auto discharge function, and package, etc. for the ICs can be selected at the user's request.

Product Name	Package	Quantity per Reel	Pb Free	Halogen Free
R1163Kxx1*-TR	DFN(PL)1616-6	5,000 pcs	Yes	Yes
R1163Nxx1*-TR-FE	SOT-23-5	3,000 pcs	Yes	Yes
R1163Dxx1*-TR-FE	SON-6	3,000 pcs	Yes	Yes

xx: The output voltage can be designated in the range from 1.5V(15) to 5.0V(50) in 0.1V steps.
(For other voltages, please refer to MARK INFORMATIONS.)

* : The auto discharge function at off state are options as follows.

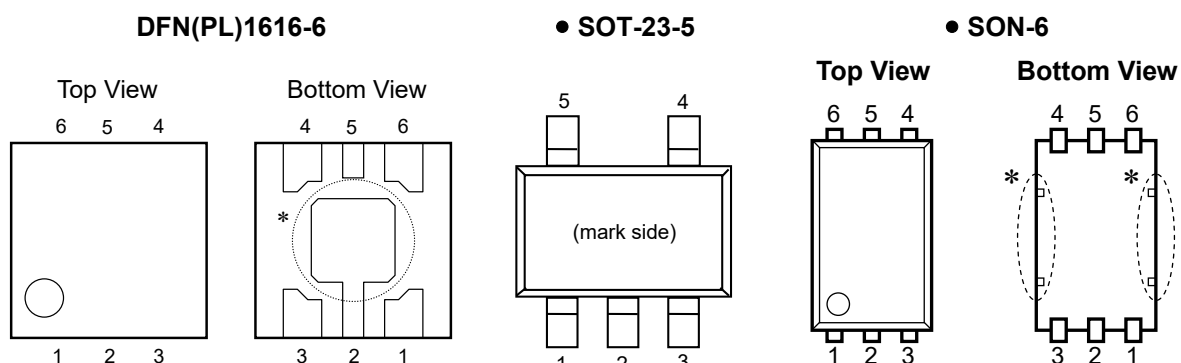
(B) without auto discharge function at off state

(D) with auto discharge function at off state

(E) without auto discharge function at off state, ECO logic reverse type (Low Power mode at ECO="H")

R1163x

PIN CONFIGURATIONS



PIN DISCRIPTIONS

• DFN(PL)1616-6

Pin No	Symbol	Pin Description
1	V_{OUT}	Output pin
2	GND	Ground Pin
3	ECO	R1163xxx1B/D: FT/LP Mode Alternative Pin ("L" LP)
	\overline{ECO}	R1163xxx1E: FT/LP Mode Alternative Pin ("H" LP)
4	CE	Chip Enable pin ("H" Active)
5	NC	No Connection
6	V_{DD}	Input Pin

*) Tab is GND level. (They are connected to the reverse side of this IC.)

The tab is better to be connected to the GND, but leaving it open is also acceptable.

• SOT-23-5

Pin No	Symbol	Pin Description
1	V_{DD}	Input Pin
2	GND	Ground Pin
3	CE	Chip Enable Pin ("H" Active)
4	ECO	R1163xxx1B/D: FT/LP Mode Alternative Pin ("L" LP)
	\overline{ECO}	R1163xxx1E: FT/LP Mode Alternative Pin ("H" LP)
5	V_{OUT}	Output pin

• SON-6

Pin No	Symbol	Pin Description
1	V_{DD}	Input Pin
2	NC	No Connection
3	V_{OUT}	Output pin
4	ECO	R1163xxx1B/D: FT/LP Mode Alternative Pin ("L" LP)
	\overline{ECO}	R1163xxx1E: FT/LP Mode Alternative Pin ("H" LP)
5	GND	Ground Pin
6	CE	Chip Enable Pin ("H" Active)

*) Tab suspension leads are GND level. (They are connected to the reverse side of this IC.)

The tab suspension leads should be open and do not connect to other wires or land patterns.

ABSOLUTE MAXIMUM RATINGS

Symbol	Item	Rating	Unit
V_{IN}	Input Voltage	6.5	V
V_{ECO}	Input Voltage (ECO/ \overline{ECO} Pin)	-0.3 ~ 6.5	V
V_{CE}	Input Voltage (CE Pin)	-0.3 ~ 6.5	V
V_{OUT}	Output Voltage	-0.3 ~ 6.5	V
I_{OUT}	Output Current	180	mA
P_D	Power Dissipation (DFN(PL)1616-6)*	640	mW
	Power Dissipation (SOT-23-5) *	420	
	Power Dissipation (SON-6) *	500	
T_{opt}	Operating Temperature Range	-40 ~ 85	°C
T_{stg}	Storage Temperature Range	-55 ~ 125	°C

*) For Power Dissipation, please refer to PACKAGE INFORMATION.

ABSOLUTE MAXIMUM RATINGS

Electronic and mechanical stress momentarily exceeded absolute maximum ratings may cause the permanent damages and may degrade the life time and safety for both device and system using the device in the field.

The functional operation at or over these absolute maximum ratings is not assured.

RECOMMENDED OPERATING CONDITIONS (ELECTRICAL CHARACTERISTICS)

All of electronic equipment should be designed that the mounted semiconductor devices operate within the recommended operating conditions. The semiconductor devices cannot operate normally over the recommended operating conditions, even if when they are used over such conditions by momentary electronic noise or surge. And the semiconductor devices may receive serious damage when they continue to operate over the recommended operating conditions.

R1163x

ELECTRICAL CHARACTERISTICS

R1163xxx1B/D

T_{opt}=25°C

Symbol	Item	Conditions	Min.	Typ.	Max.	Unit	
V _{OUT}	Output Voltage	FT Mode	V _{IN} =Set V _{OUT} +1V, V _{ECO} =V _{IN} 1mA ≤ I _{OUT} ≤ 30mA	×0.985		×1.015	V
		LP Mode	V _{IN} =Set V _{OUT} +1V, V _{ECO} =GND 1mA ≤ I _{OUT} ≤ 30mA	×0.975		×1.025	
ΔV _{OUT}	Output Voltage Deviation between FT Mode and LP Mode	V _{IN} =Set V _{OUT} +1V, I _{OUT} =30mA	V _{OUT} > 2.0V	-1.2	0	1.2	%
			V _{OUT} ≤ 2.0V	-24	0	24	mV
I _{OUT}	Output Current	V _{IN} -V _{OUT} =1.0V	150			mA	
ΔV _{OUT} / ΔI _{OUT}	Load Regulation	FT Mode	V _{IN} =Set V _{OUT} +1V, V _{ECO} =V _{IN} 1mA ≤ I _{OUT} ≤ 150mA		20	40	mV
		LP Mode	V _{IN} =Set V _{OUT} +1V, V _{ECO} =GND 1mA ≤ I _{OUT} ≤ 150mA		20	45	
V _{DIF}	Dropout Voltage	Refer to the following table					
I _{SS1}	Supply Current (FT Mode)	V _{IN} =Set V _{OUT} +1V V _{ECO} =V _{IN}		70	100	μA	
I _{SS2}	Supply Current (LP Mode)	V _{IN} =Set V _{OUT} +1V V _{ECO} =GND		6.0	10.0	μA	
I _{standby}	Supply Current (Standby)	V _{IN} =Set V _{OUT} +1V, V _{CE} =GND V _{ECO} =GND or V _{IN}		0.6	1.0	μA	
ΔV _{OUT} / ΔV _{IN}	Line Regulation	FT Mode	Set V _{OUT} +0.5V ≤ V _{IN} ≤ 6.0V I _{OUT} =30mA, V _{ECO} =V _{IN} If V _{OUT} ≤ 1.6V, then 2.2V ≤ V _{IN} ≤ 6.0V		0.02	0.10	%V
		LP Mode	Set V _{OUT} +0.5V ≤ V _{IN} ≤ 6.0V I _{OUT} =30mA, V _{ECO} =GND If V _{OUT} ≤ 1.6V, then 2.2V ≤ V _{IN} ≤ 6.0V		0.05	0.20	
RR	Ripple Rejection (FT Mode)	Ripple 0.2V _{p-p} , V _{IN} =Set V _{OUT} +1V, I _{OUT} =30mA, V _{ECO} =V _{IN} If V _{OUT} ≤ 1.7V, then V _{IN} =Set V _{OUT} +1.2V	f=1kHz		70		dB
			f=10kHz		60		
V _{IN}	Input Voltage		2.0		6.0	V	
ΔV _{OUT} / ΔT _{opt}	Output Voltage Temperature Coefficient	I _{OUT} =30mA -40°C ≤ T _{opt} ≤ 85°C		±100		ppm /°C	
I _{SC}	Short Current Limit	V _{OUT} =0V		40		mA	
I _{PD}	CE Pull-down Current			0.3	0.6	μA	
R _{PDE}	ECO Pull-down Resistance		2	5	30	MΩ	
V _{CEH}	CE, ECO Input Voltage "H"		1.0		6.0	V	
V _{CEL}	CE, ECO Input Voltage "L"		0		0.35	V	
en	Output Noise "H" (FT Mode)	BW=10Hz to 100kHz		30		μV _{rms}	
	Output Noise "L" (LP Mode)	BW=10Hz to 100kHz		40			
R _{LOW}	Low Output Nch Tr. ON Resistance (of D version)	V _{CE} =0V		60		Ω	
I _{REV}	Reverse Current	V _{OUT} >0.5V, 0V ≤ V _{IN} ≤ 6V		0	0.1	μA	

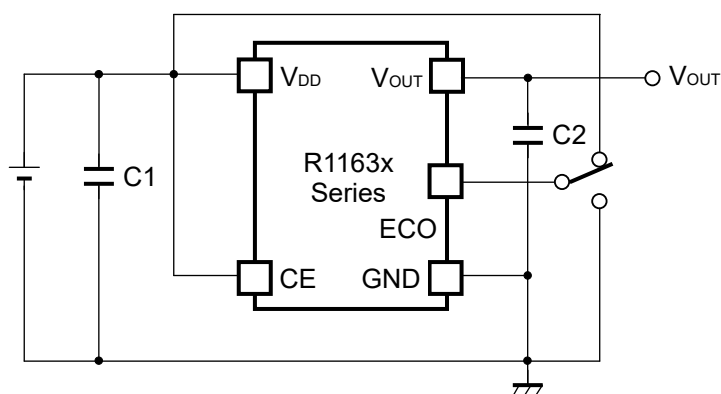
R1163xxx1E

T_{opt}=25°C

Symbol	Item	Conditions	Min.	Typ.	Max.	Unit	
V _{OUT}	Output Voltage	FT Mode	V _{IN} =Set V _{OUT} +1V, V _{ECO} =GND 1mA ≤ I _{OUT} ≤ 30mA	×0.985		×1.015	V
		LP Mode	V _{IN} =Set V _{OUT} +1V, V _{ECO} =V _{IN} 1mA ≤ I _{OUT} ≤ 30mA	×0.975		×1.025	
ΔV _{OUT}	Output Voltage Deviation between FT Mode and LP Mode	V _{IN} =Set V _{OUT} +1V, I _{OUT} =30mA	V _{OUT} > 2.0V	-1.2	0	1.2	%
			V _{OUT} ≤ 2.0V	-24	0	24	mV
I _{OUT}	Output Current	V _{IN} -V _{OUT} =1.0V	150			mA	
ΔV _{OUT} / ΔI _{OUT}	Load Regulation	FT Mode	V _{IN} =Set V _{OUT} +1V, V _{ECO} =GND 1mA ≤ I _{OUT} ≤ 150mA		20	40	mV
		LP Mode	V _{IN} =Set V _{OUT} +1V, V _{ECO} =V _{IN} 1mA ≤ I _{OUT} ≤ 150mA		20	45	
V _{DIF}	Dropout Voltage	Refer to the following table					
I _{SS1}	Supply Current (FT Mode)	V _{IN} =Set V _{OUT} +1V V _{ECO} =GND		70	100	μA	
I _{SS2}	Supply Current (LP Mode)	V _{IN} =Set V _{OUT} +1V V _{ECO} =V _{IN}		6.0	10.0	μA	
I _{standby}	Supply Current (Standby)	V _{IN} =Set V _{OUT} +1V, V _{CE} =GND V _{ECO} =GND or V _{IN}		0.6	1.0	μA	
ΔV _{OUT} / ΔV _{IN}	Line Regulation	FT Mode	Set V _{OUT} +0.5V ≤ V _{IN} ≤ 6.0V I _{OUT} =30mA, V _{ECO} =GND If V _{OUT} ≤ 1.6V, then 2.2V ≤ V _{IN} ≤ 6.0V		0.02	0.10	%V
		LP Mode	Set V _{OUT} +0.5V ≤ V _{IN} ≤ 6.0V I _{OUT} =30mA, V _{ECO} =V _{IN} If V _{OUT} ≤ 1.6V, then 2.2V ≤ V _{IN} ≤ 6.0V		0.05	0.20	
RR	Ripple Rejection (FT Mode)	Ripple 0.2V _{p-p} V _{IN} =Set V _{OUT} +1V, I _{OUT} =30mA, V _{ECO} =GND If V _{OUT} ≤ 1.7V, then V _{IN} =Set V _{OUT} +1.2V	f = 1kHz		70		dB
			f = 10kHz		60		
V _{IN}	Input Voltage		2.0		6.0	V	
ΔV _{OUT} / ΔT _{opt}	Output Voltage Temperature Coefficient	I _{OUT} = 30mA -40°C ≤ T _{opt} ≤ 85°C		±100		ppm/°C	
I _{SC}	Short Current Limit	V _{OUT} = 0V		40		mA	
I _{PD}	CE Pull-down Current			0.3	0.6	μA	
V _{CEH}	CE, \overline{ECO} Input Voltage "H"		1.0		6.0	V	
V _{CEL}	CE, \overline{ECO} Input Voltage "L"		0		0.4	V	
en	Output Noise "H" (FT Mode)	BW = 10Hz to 100kHz		30		μVrms	
	Output Noise "L" (LP Mode)	BW = 10Hz to 100kHz		40			
I _{REV}	Reverse Current	V _{OUT} >0.5V, 0V ≤ V _{IN} ≤ 6V		0	0.1	μA	

R1163x**ELECTRICAL CHARACTERISTICS by OUTPUT VOLTAGE**T_{opt}=25°C

Output Voltage V _{OUT} (V)	Dropout Voltage (mV)				
	Condition	V _{DIF} (FT Mode)		V _{DIF} (LP Mode)	
		Typ.	Max.	Typ.	Max.
1.5 ≤ V _{OUT} < 1.6	I _{OUT} =150mA	400	680	420	680
1.6 ≤ V _{OUT} < 1.7		380	550	390	550
1.7 ≤ V _{OUT} < 1.8		350	520	370	520
1.8 ≤ V _{OUT} < 2.0		340	490	350	490
2.0 ≤ V _{OUT} < 2.8		290	425	300	430
2.8 ≤ V _{OUT} ≤ 5.0		250	350	250	350

TYPICAL APPLICATION

(External Components)

Ex. C1: Ceramic Capacitor 1.0μF

C2: Ceramic Capacitor 0.47μF Murata GRM40B474K
Kyocera CM105B474K**TECHNICAL NOTES**

When using these ICs, consider the following points:

Phase Compensation

In these ICs, phase compensation is made for securing stable operation even if the load current is varied. For this purpose, be sure to use a 0.47μF or more ceramic capacitor C2.

(Test these ICs with as same external components as ones to be used on the PCB.)

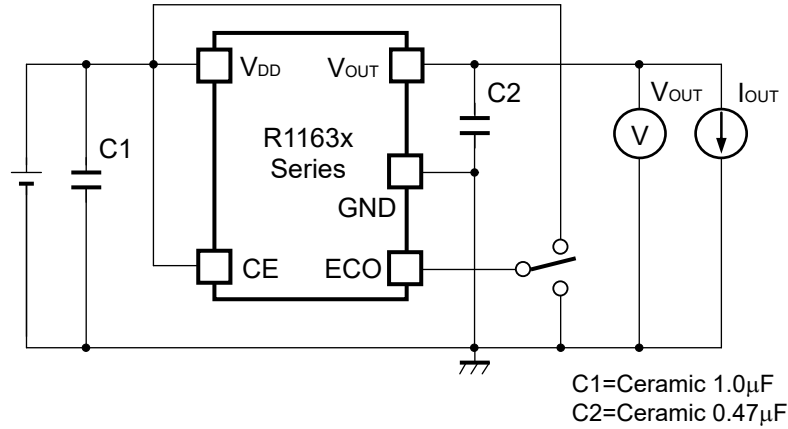
When a tantalum capacitor is used with this IC, if the equivalent series resistor (ESR) of the capacitor is large, output voltage may be unstable.

PCB Layout

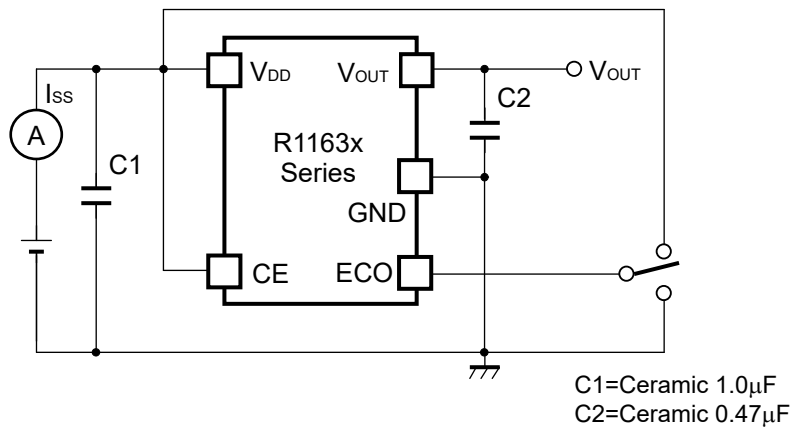
Make V_{DD} and GND lines sufficient. If their impedance is high, noise pickup or unstable operation may result. Connect a capacitor C1 with as much as 1.0μF capacitor between V_{DD} and GND pin as close as possible.

Set external components such as an output capacitor C2, as close as possible to the ICs and make wiring as short as possible.

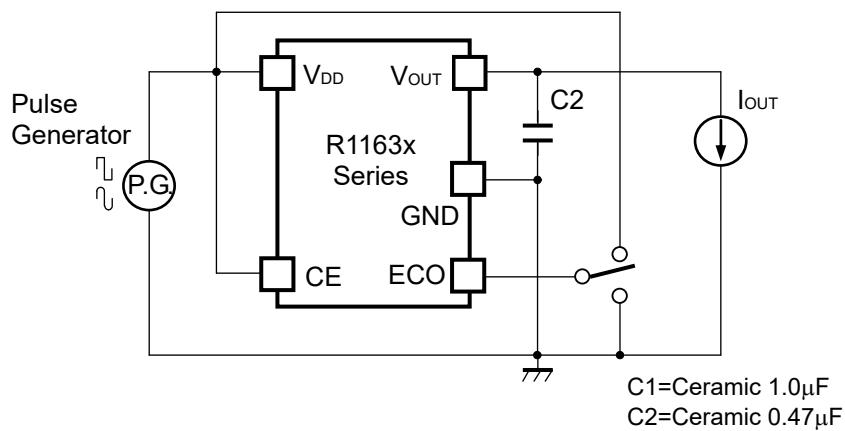
TEST CIRCUITS



Basic Test Circuit

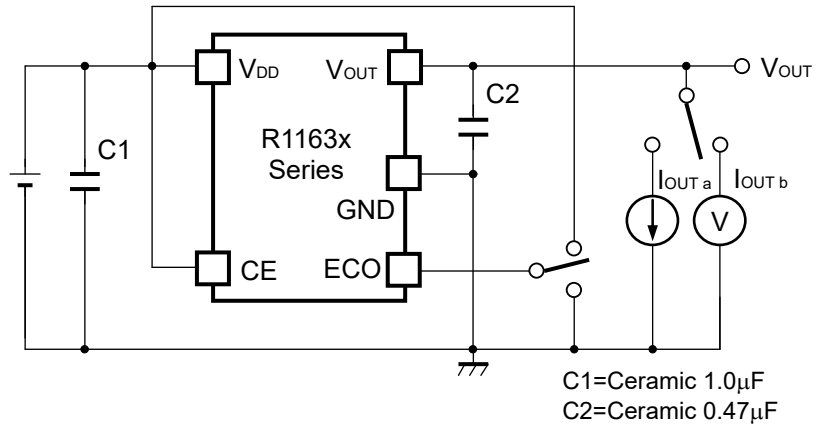


Test Circuit for Supply Current

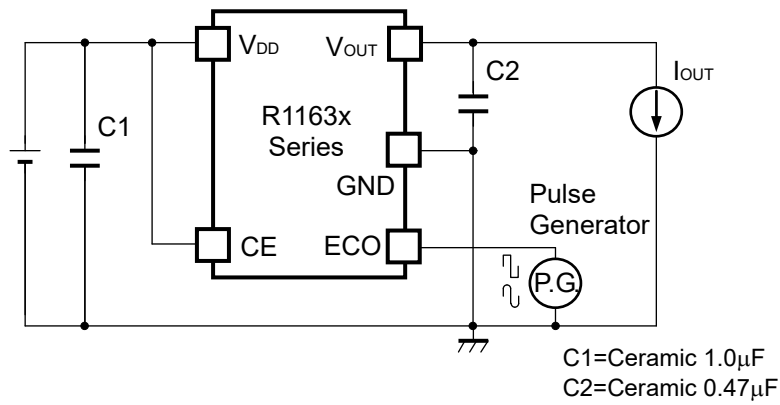


Test Circuit for Ripple Rejection, Line Transient Response

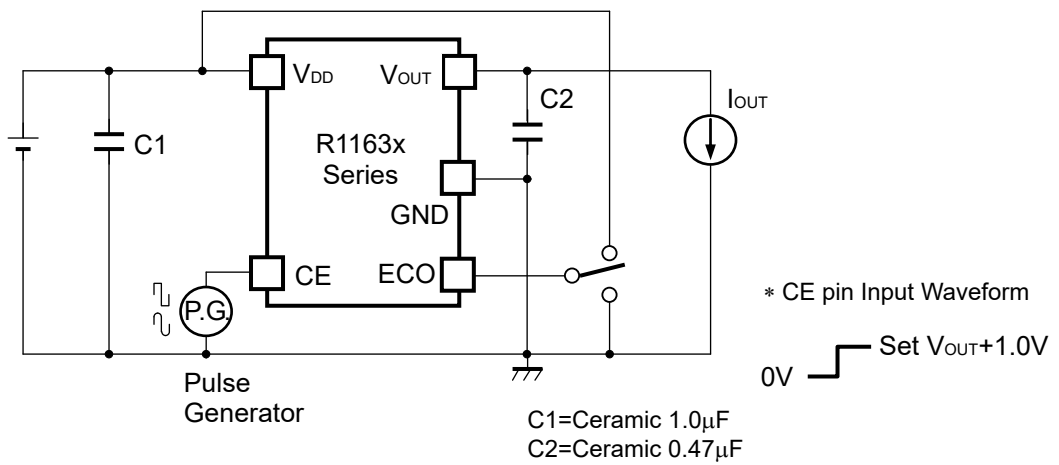
R1163x



Test Circuit for Load Transient Response



Test Circuit for Output Voltage at Mode alternative point



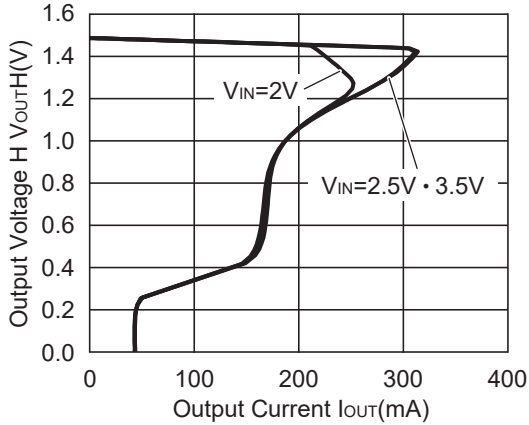
Test Circuit for Turn On Speed with CE pin

TYPICAL CHARACTERISTICS

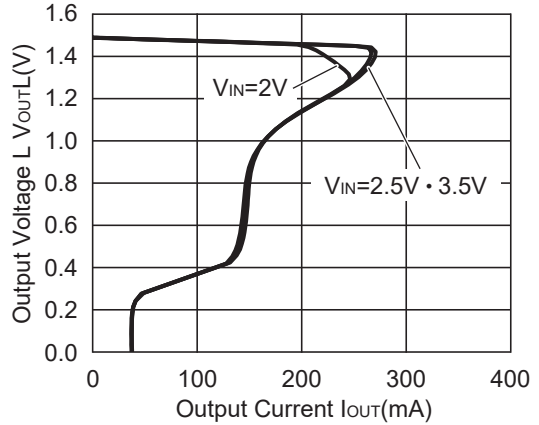
Unless otherwise provided, capacitors are ceramic type.

1) Output Voltage vs. Output Current

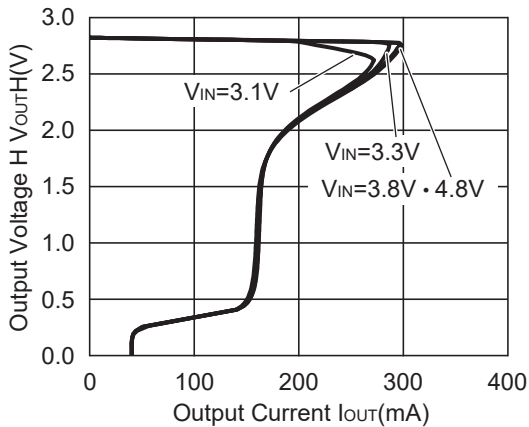
R1163x151x FT Mode



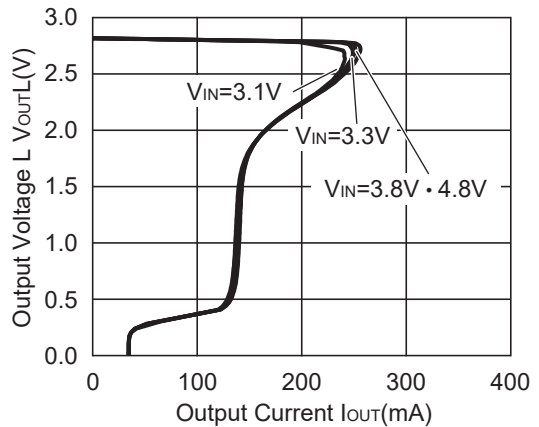
R1163x151x LP Mode



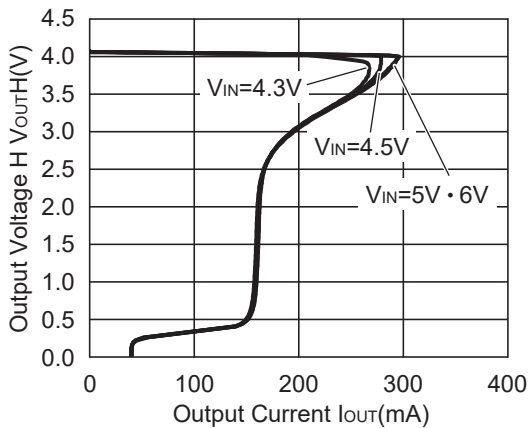
R1163x281x FT Mode



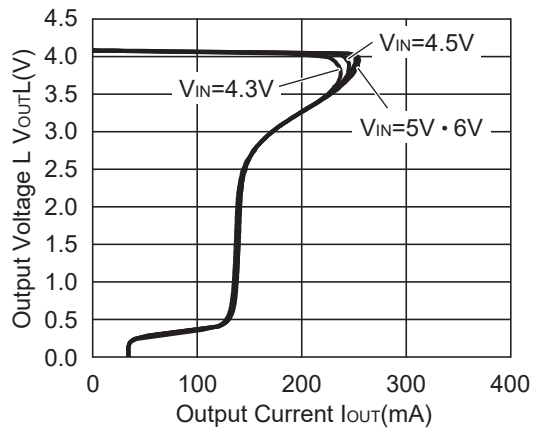
R1163x281x LP Mode



R1163x40x FT Mode



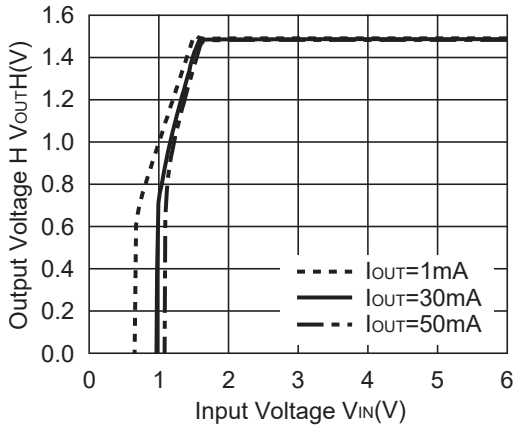
R1163x40x LP Mode



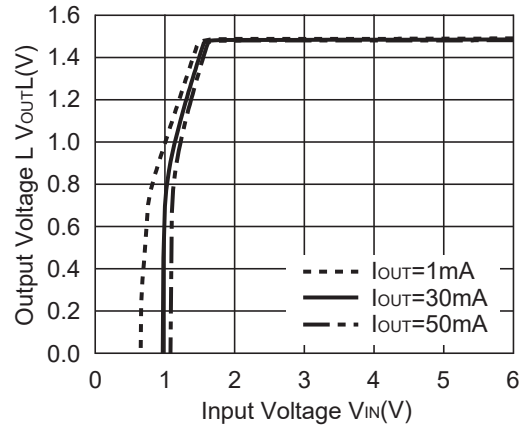
R1163x

2) Output Voltage vs. Input Voltage

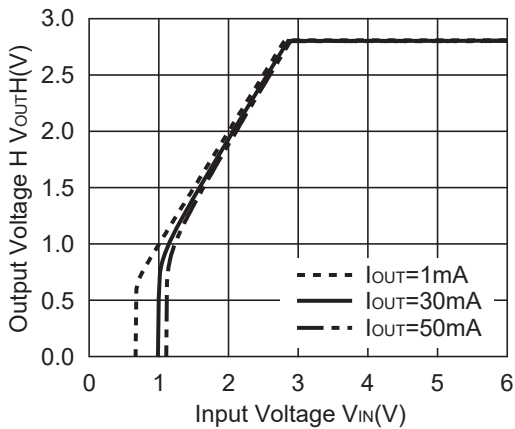
R1163x151x FT Mode



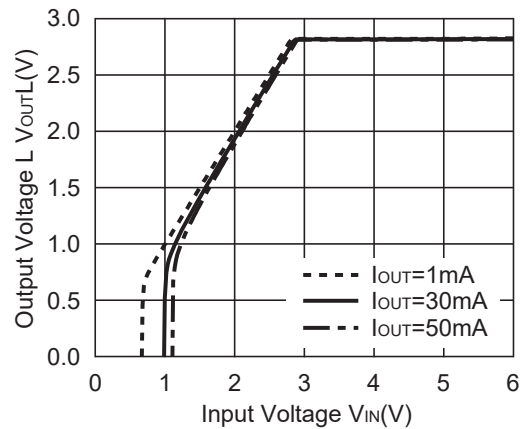
R1163x15x LP Mode



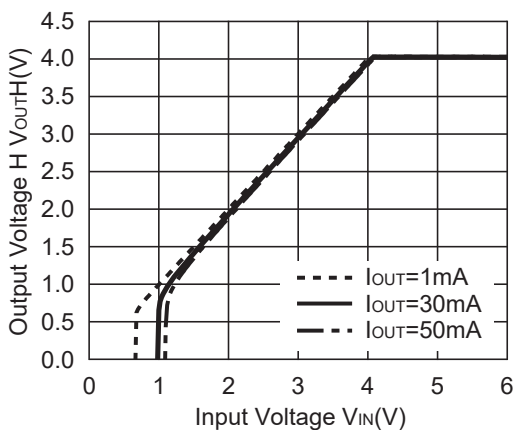
R1163x28x FT Mode



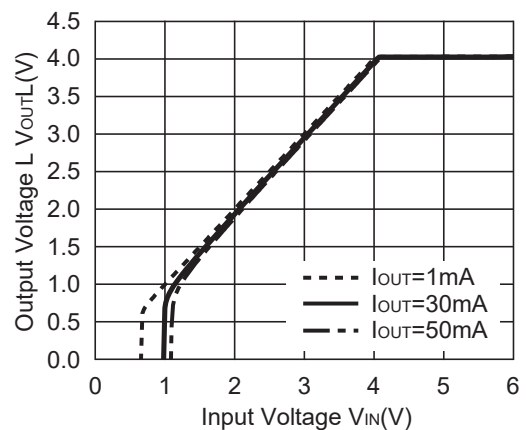
R1163x28x LP Mode



R1163x40x FT Mode

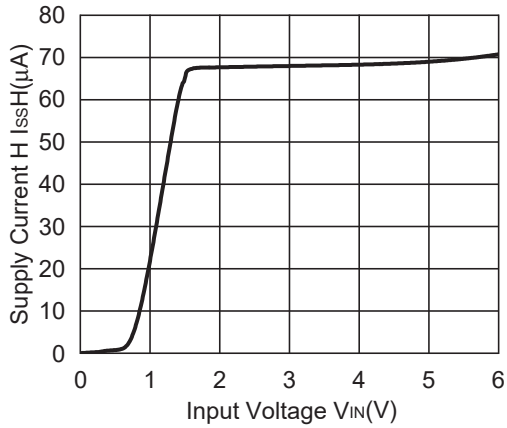


R1163x40x LP Mode

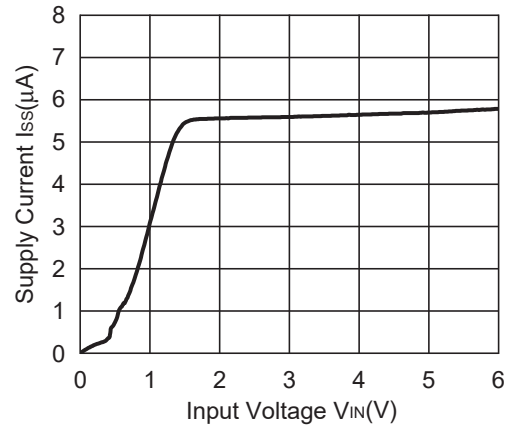


3) Supply Current vs. Input Voltage

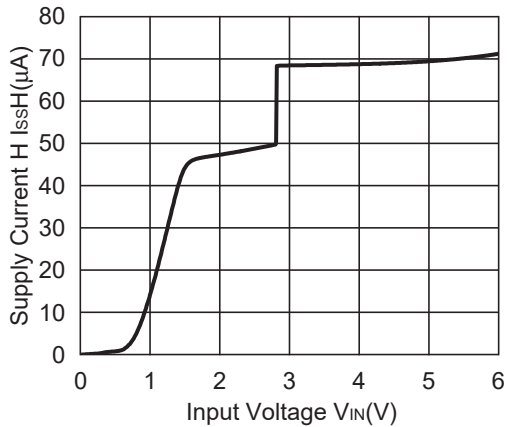
R1163x151x FT Mode



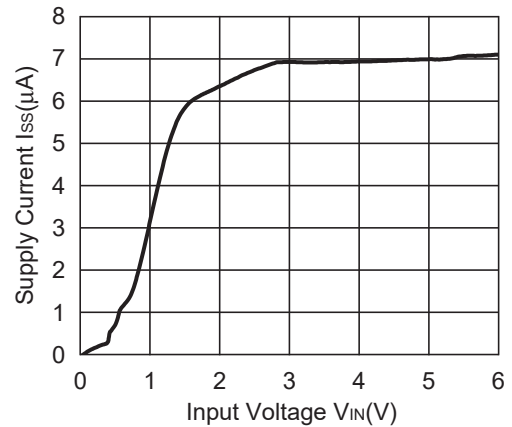
R1163x151x LP Mode



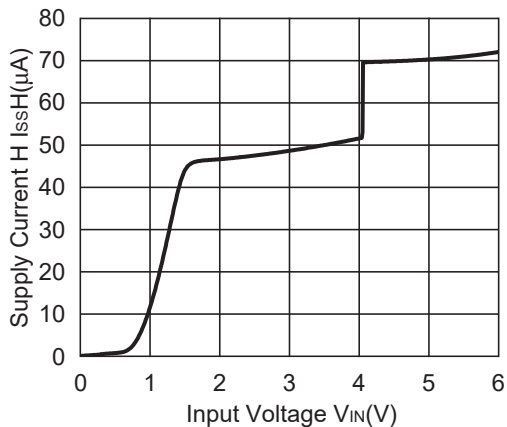
R1163x281x FT Mode



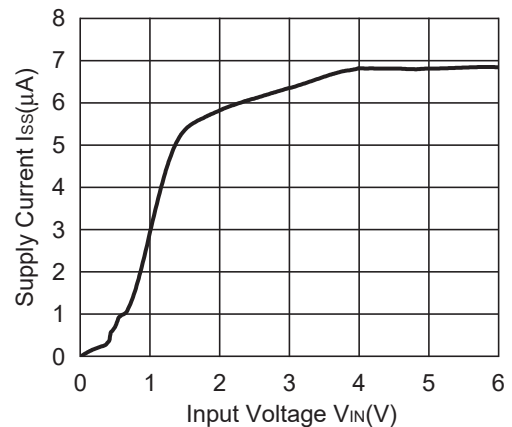
R1163x281x LP Mode



R1163x401x FT Mode



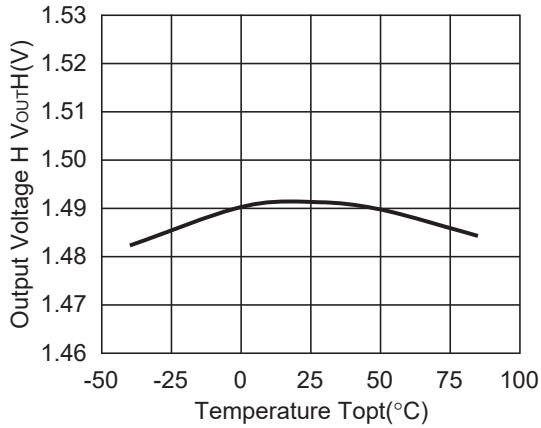
R1163x401x LP Mode



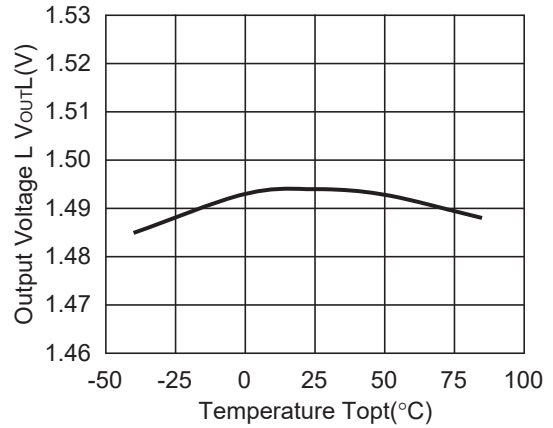
R1163x

4) Output Voltage vs. Temperature

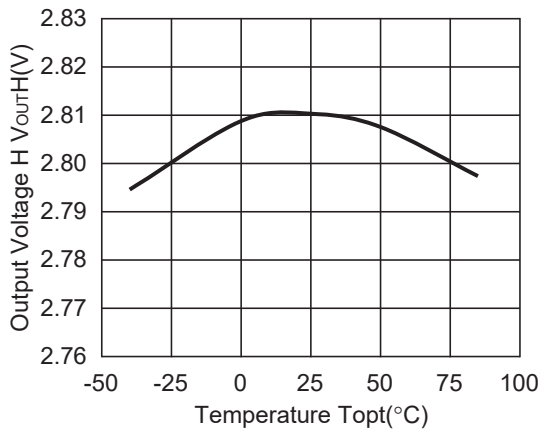
R1163x151x FT Mode



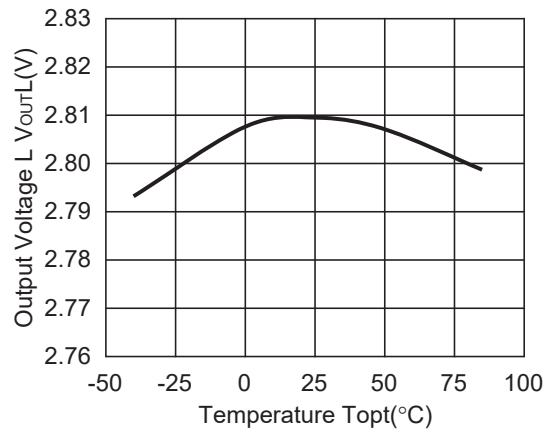
R1163x151x LP Mode



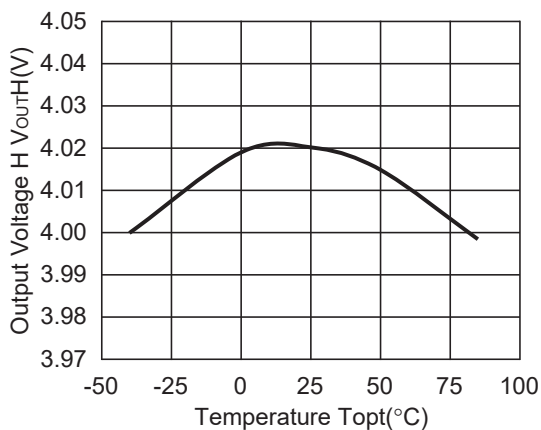
R1163x281x FT Mode



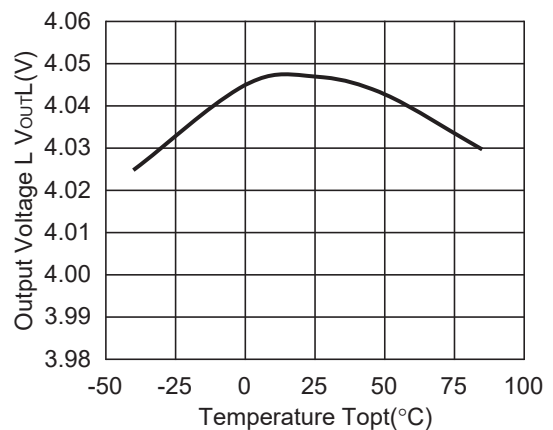
R1163x281x LP Mode



R1163x401x FT Mode

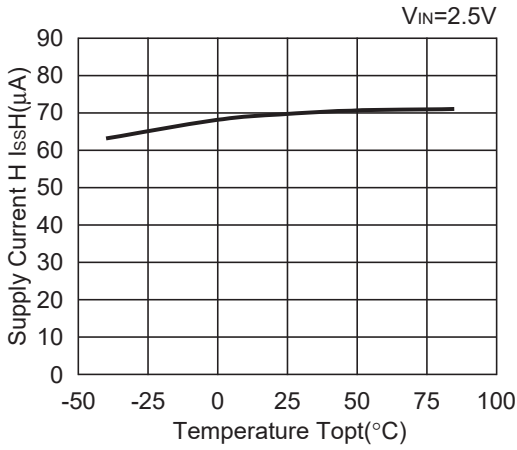


R1163x401x LP Mode

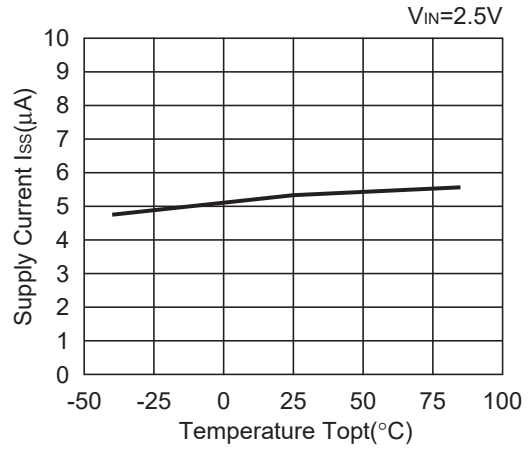


5) Supply Current vs. Temperature

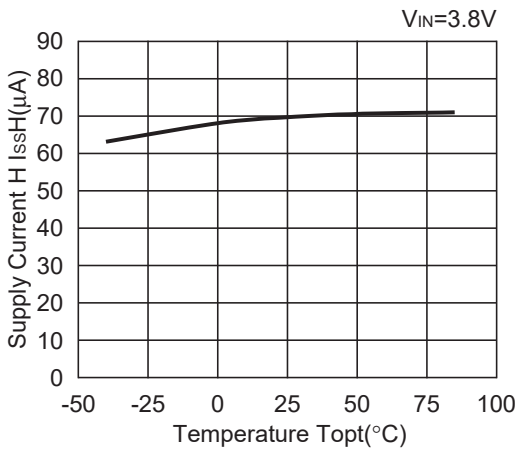
R1163x151x FT Mode



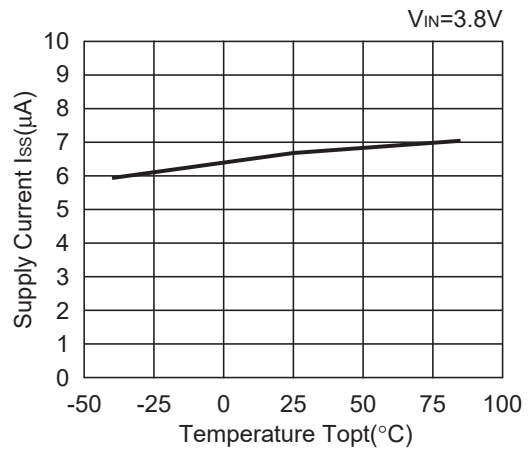
R1163x151x LP Mode



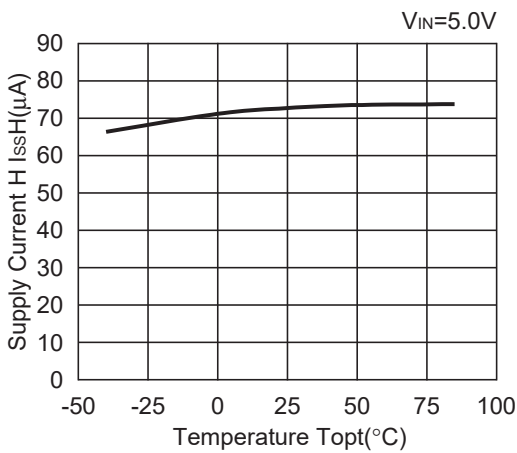
R1163x281x FT Mode



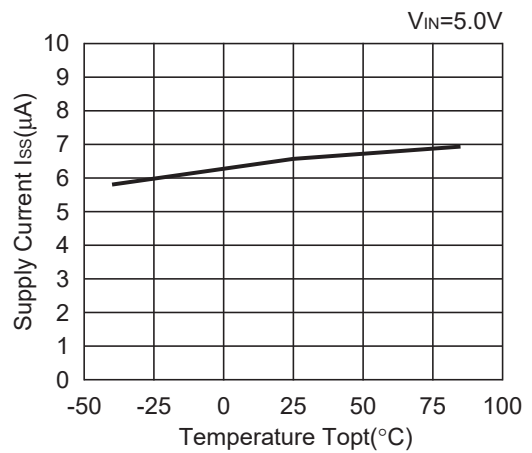
R1163x281x LP Mode



R1163x401x FT Mode

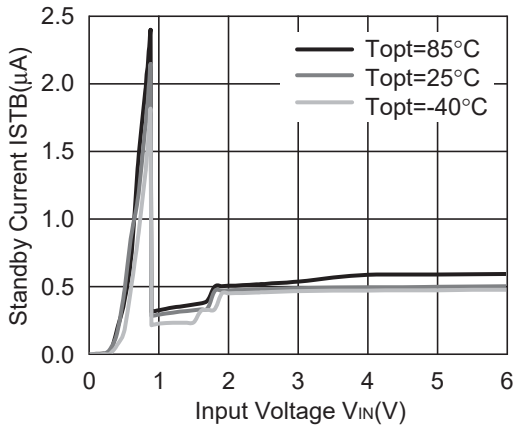


R1163x401x LP Mode

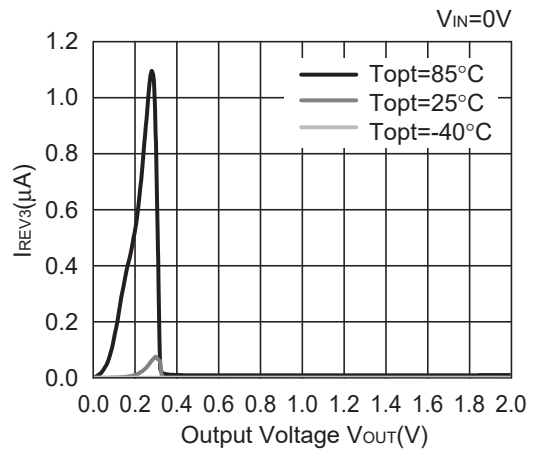
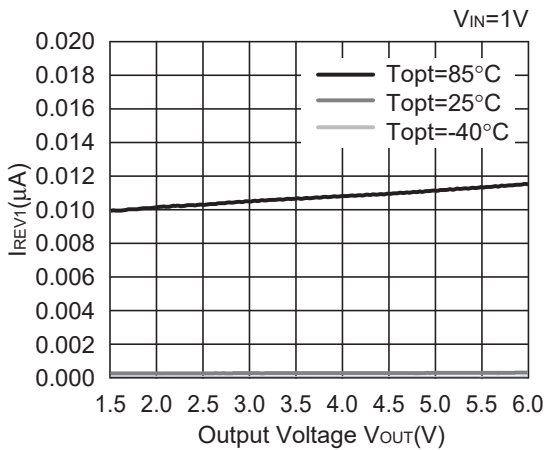


R1163x

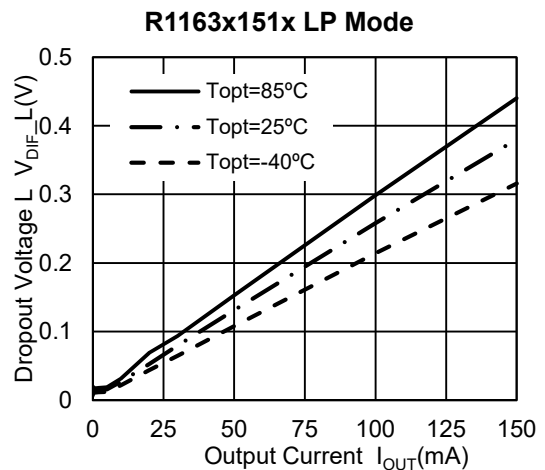
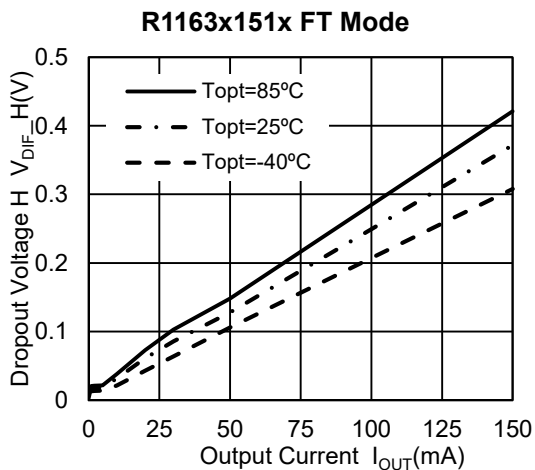
6) Standby Current vs. Input Voltage

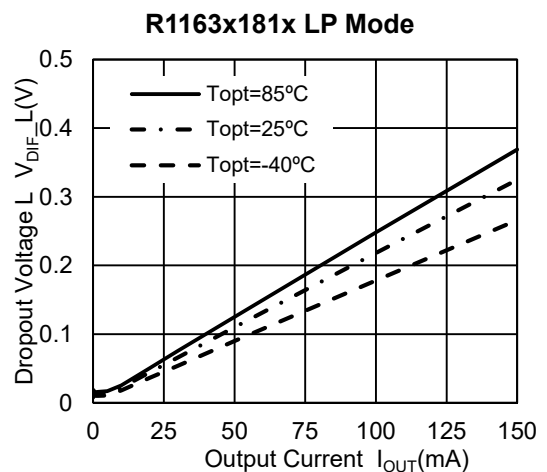
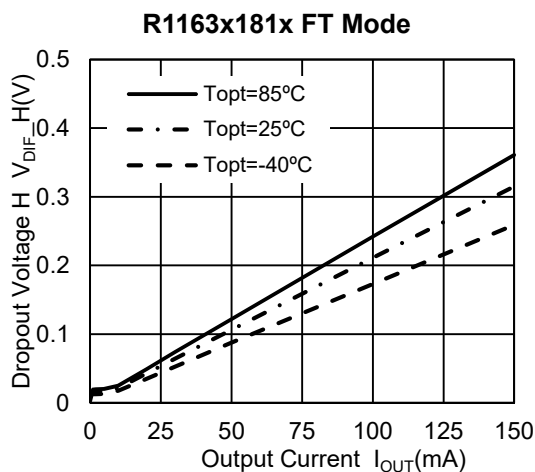
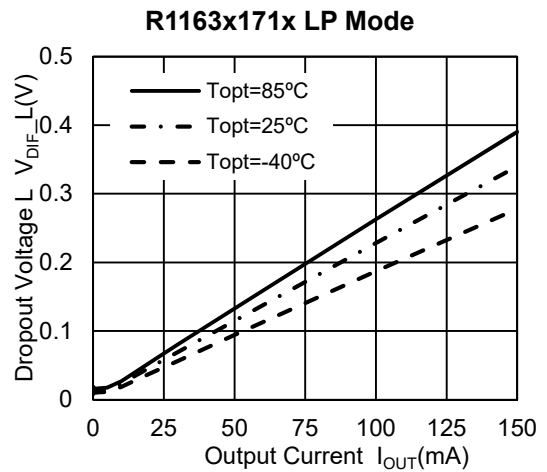
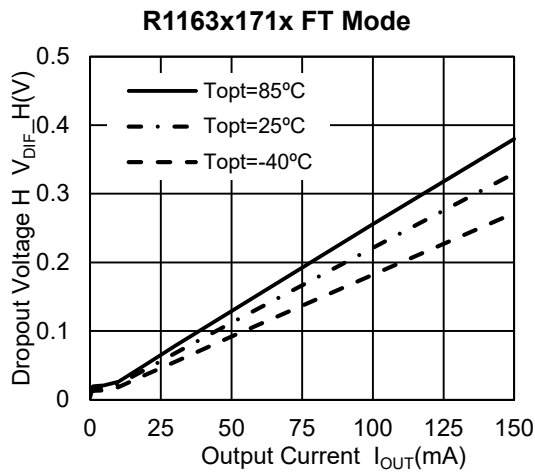
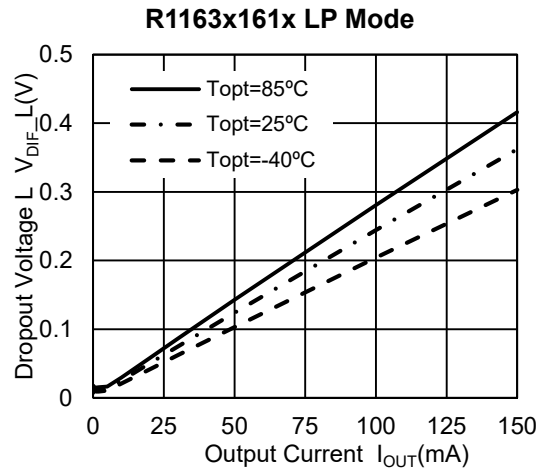
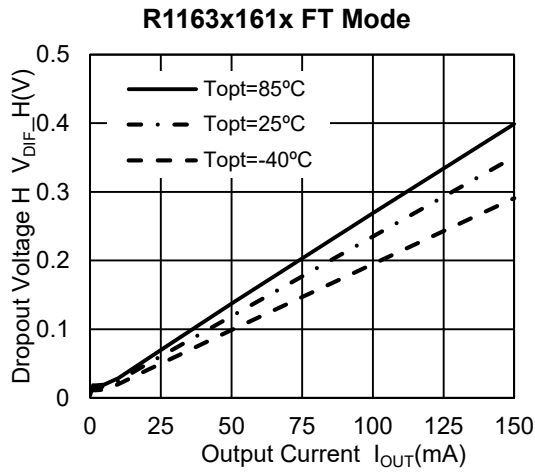


7) Reverse Current vs. Output Voltage

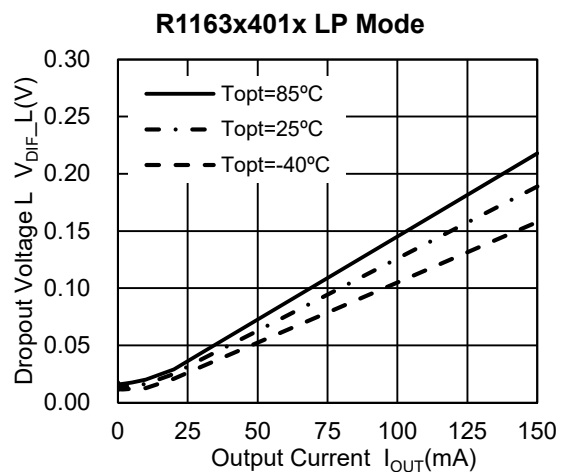
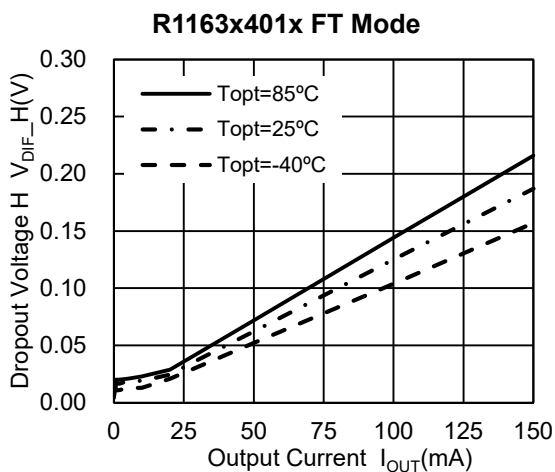
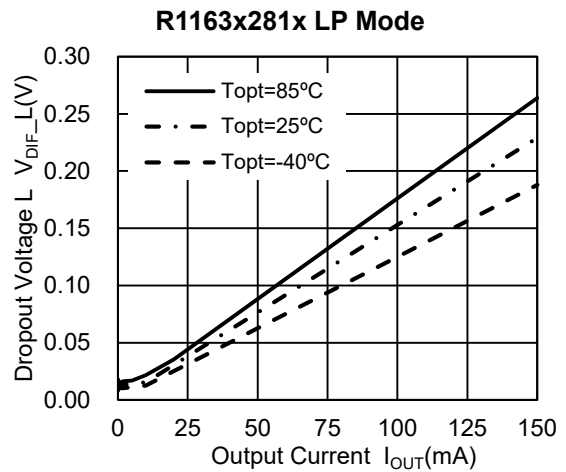
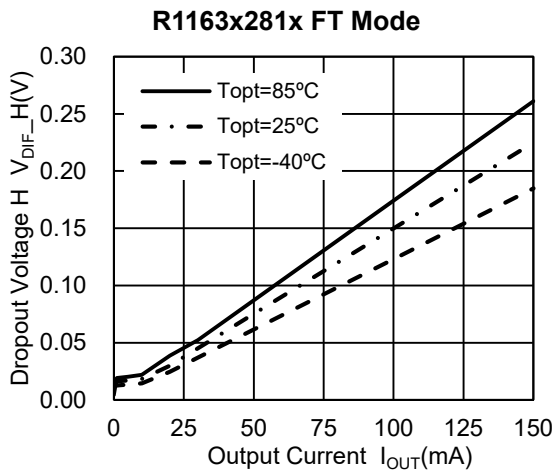
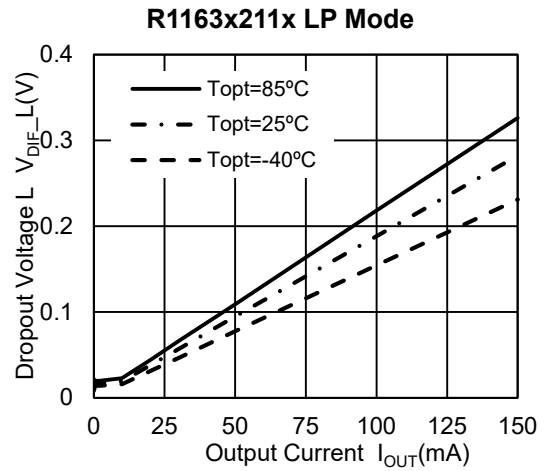
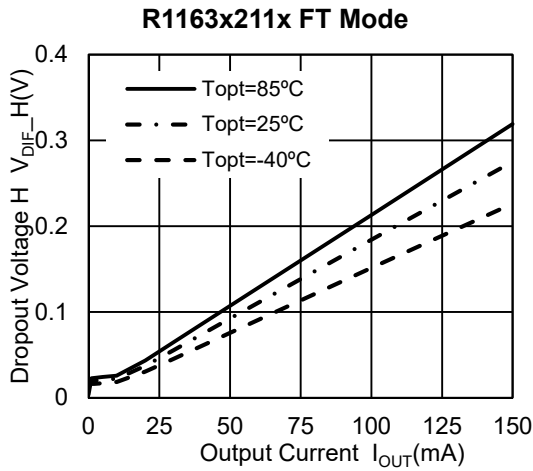


8) Dropout Voltage vs. Output Current

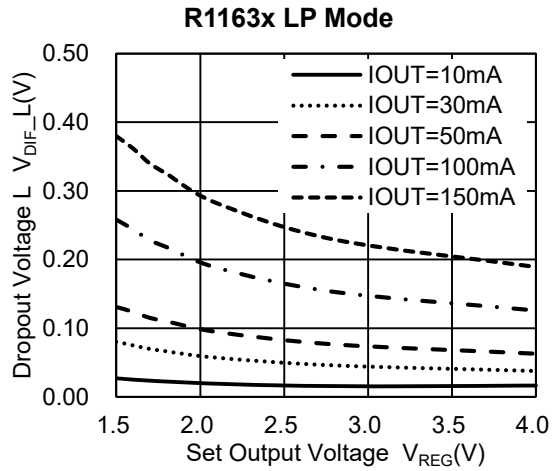
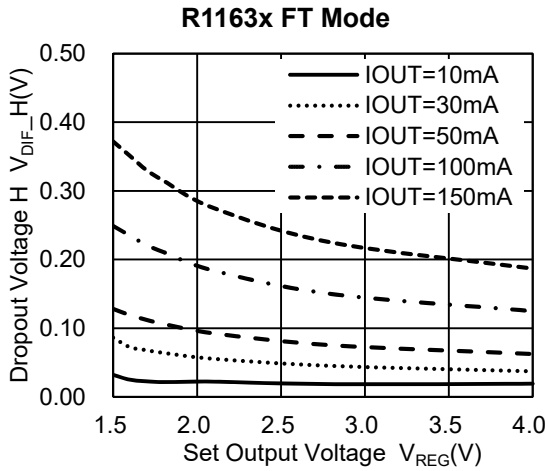




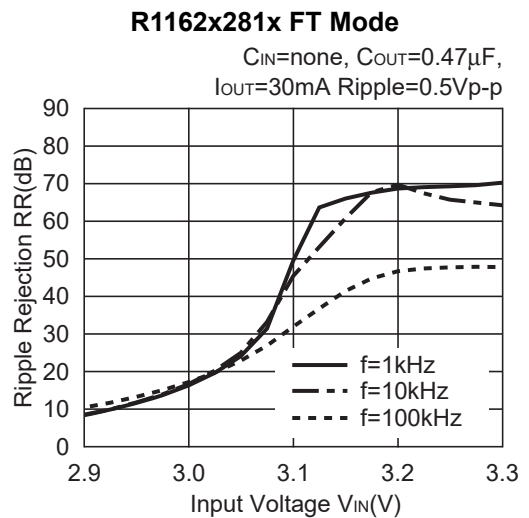
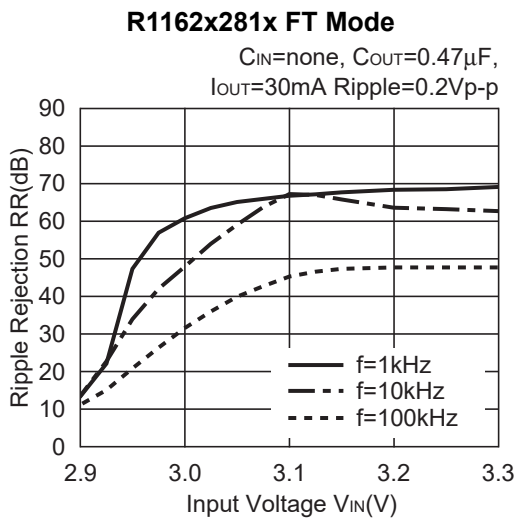
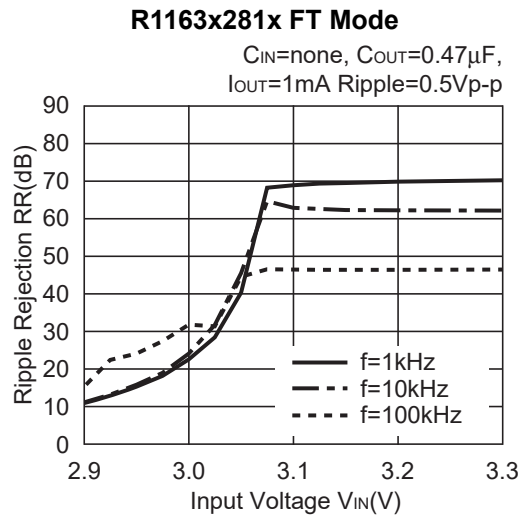
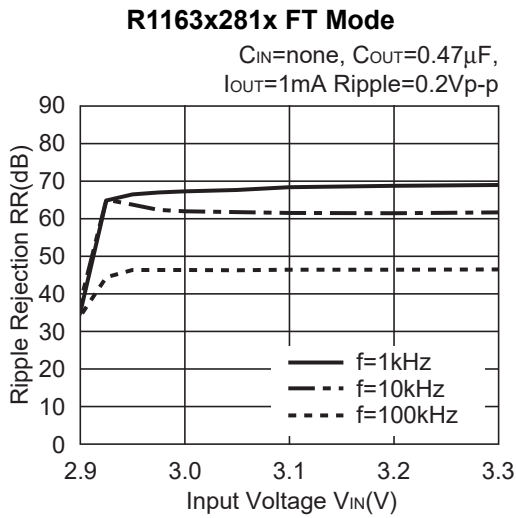
R1163x



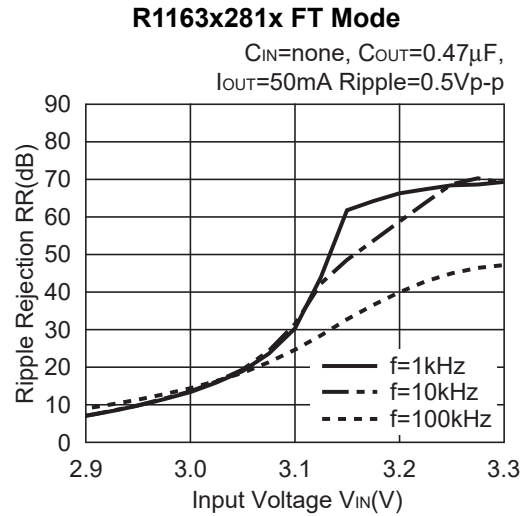
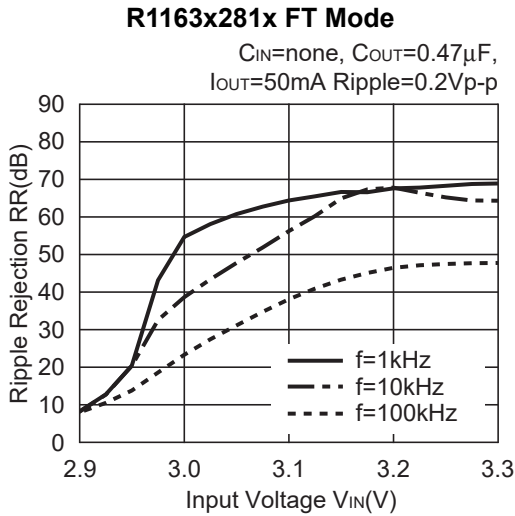
9) Dropout Voltage vs. Set Output Voltage



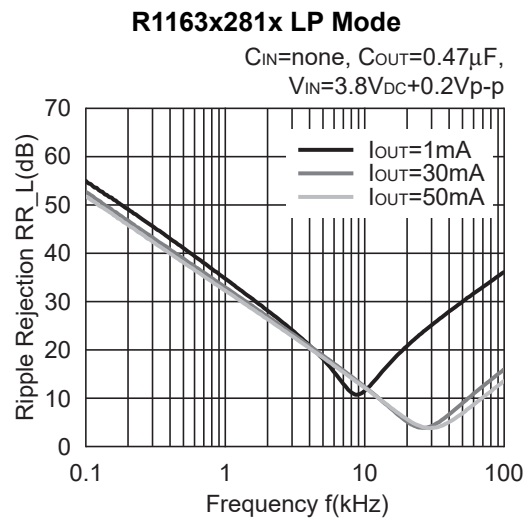
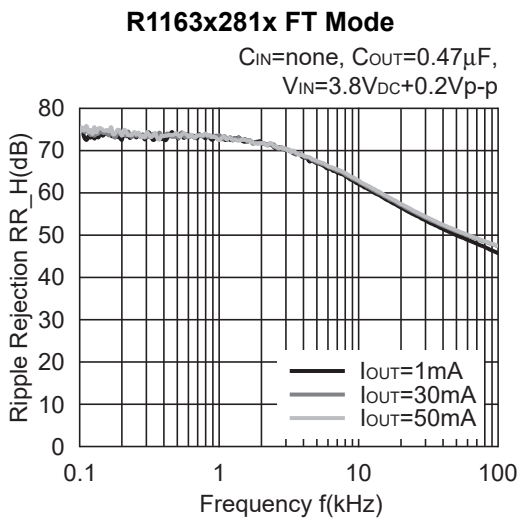
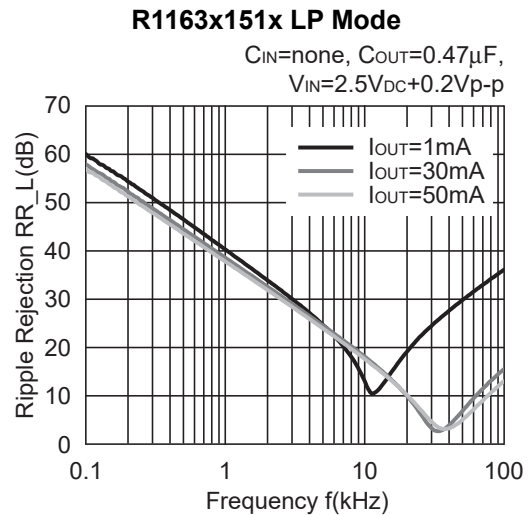
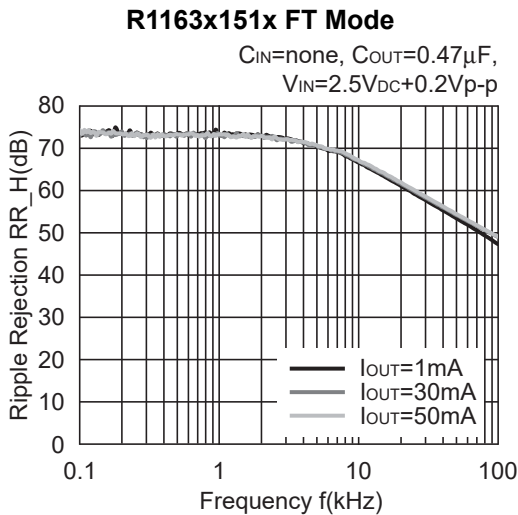
10) Ripple Rejection vs. Input Bias Voltage



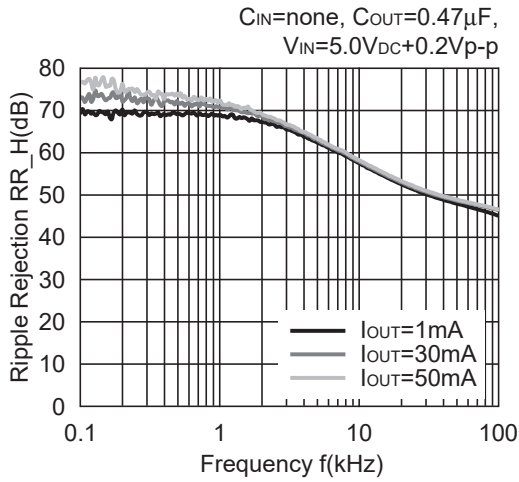
R1163x



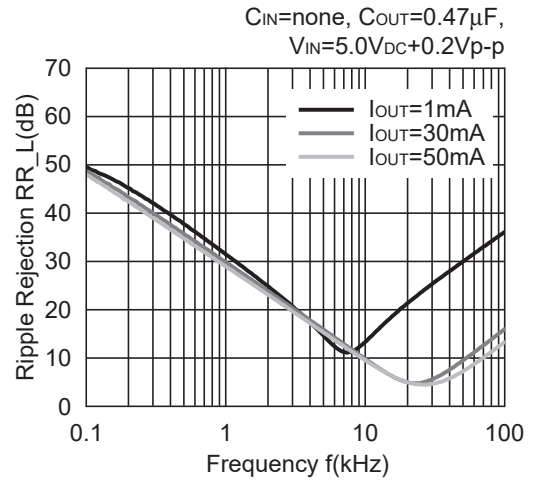
11) Ripple Rejection vs. Frequency



R1163x401x FT Mode

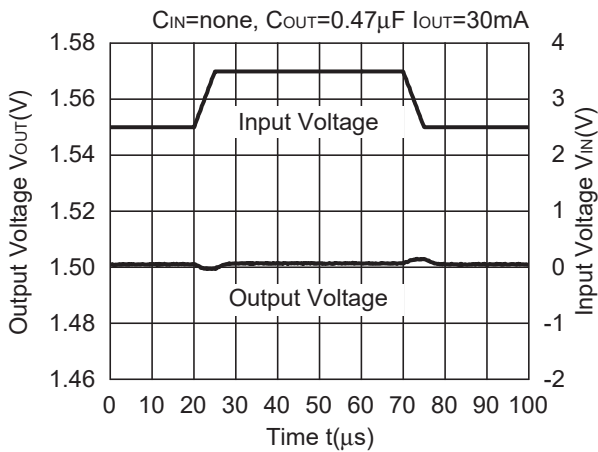


R1163x401x LP Mode

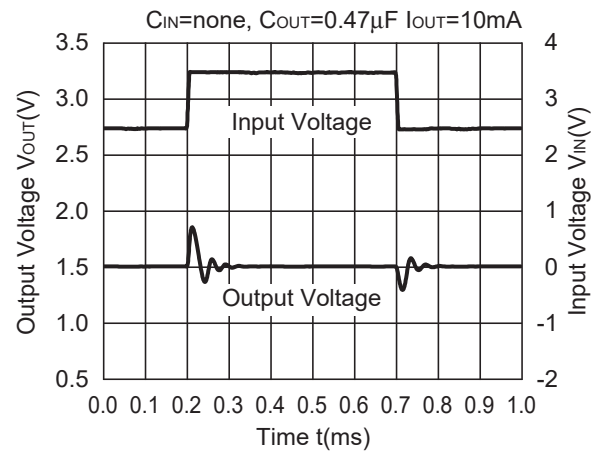


12) Input Transient Response

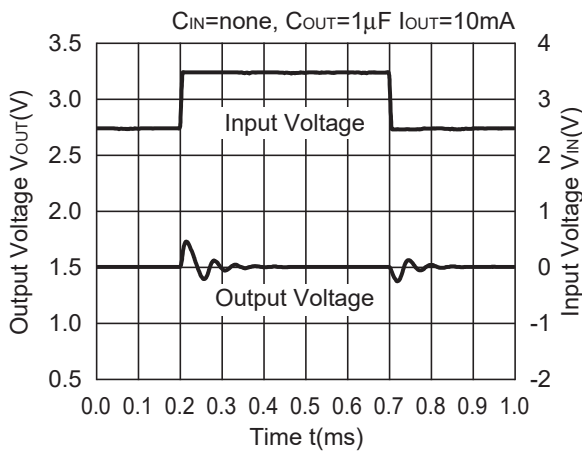
R1163x151x FT Mode



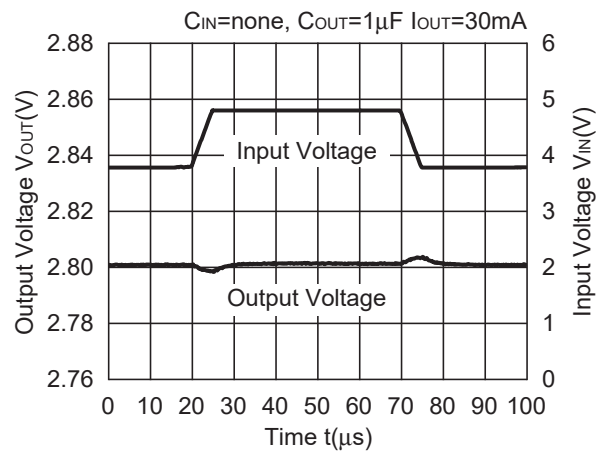
R1163x151x LP Mode



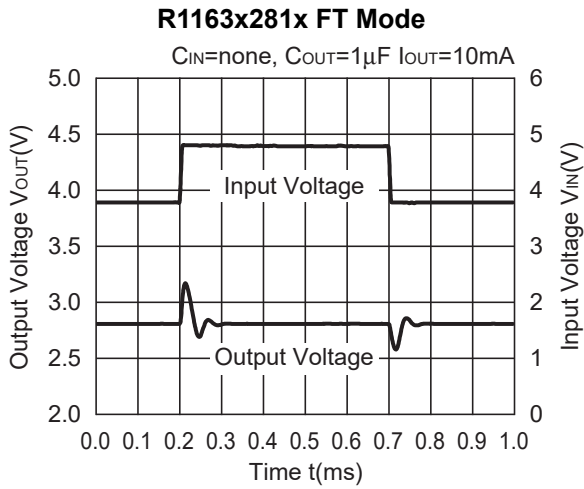
R1163x151x LP Mode



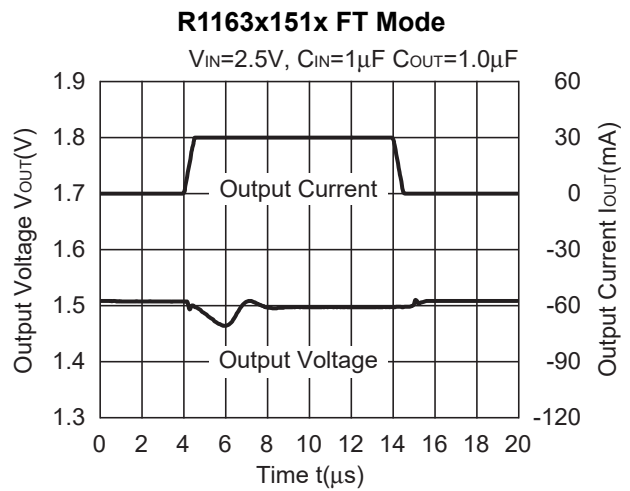
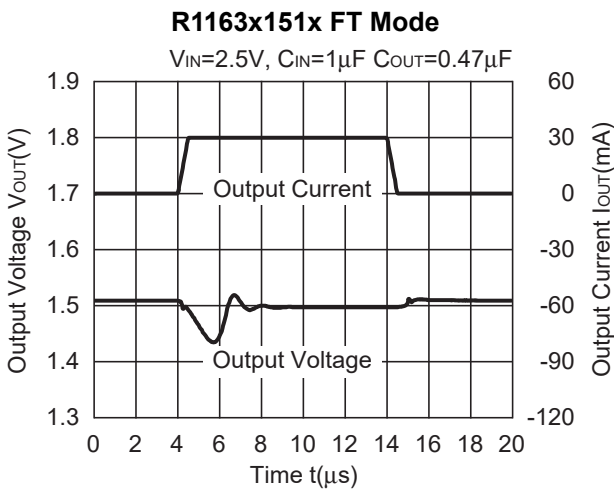
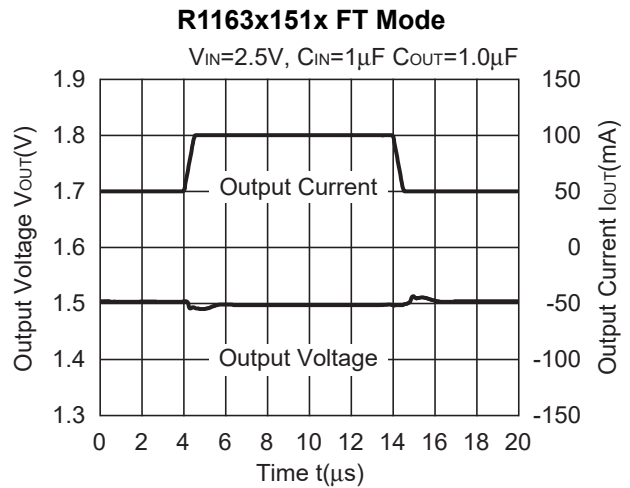
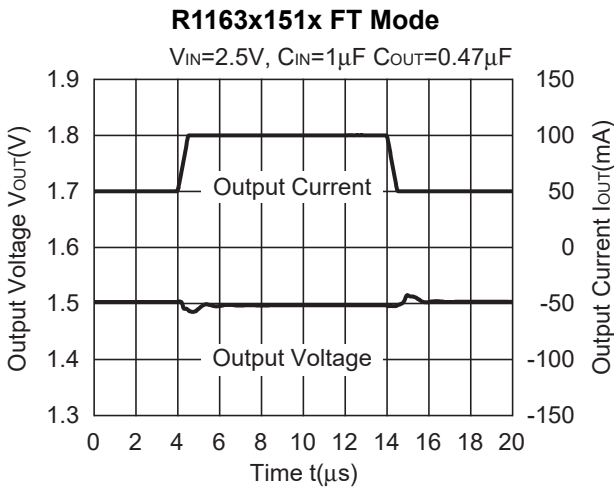
R1163x281x FT Mode

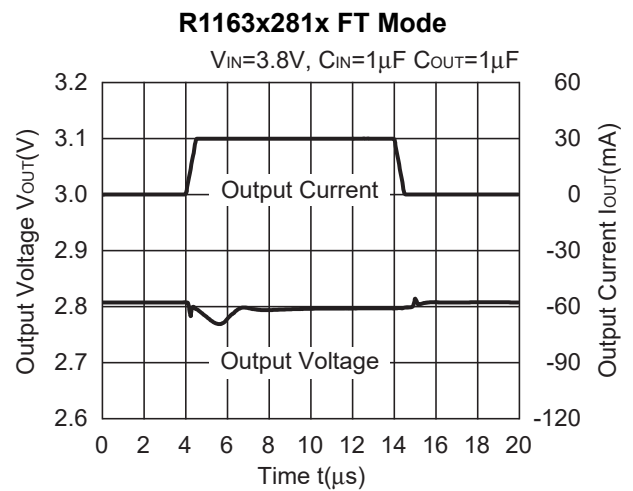
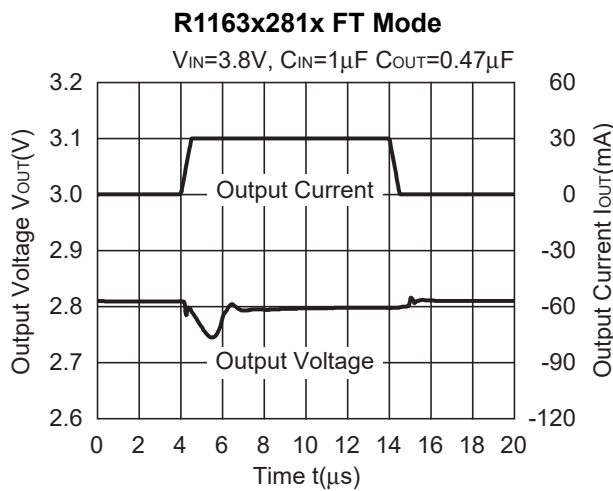
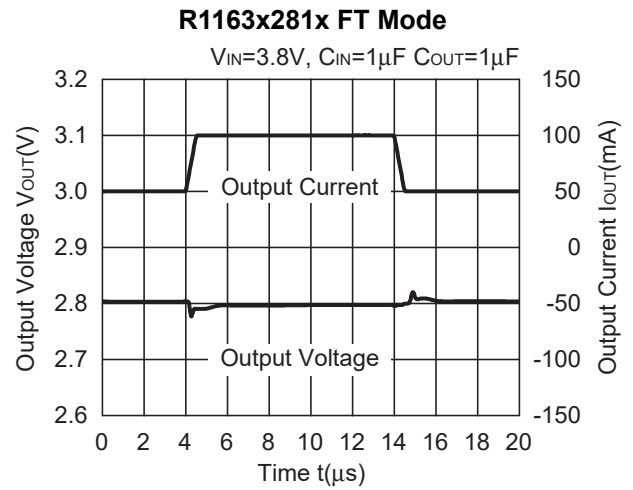
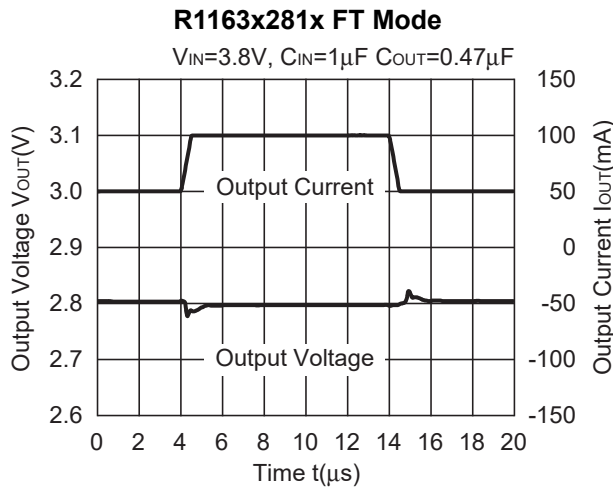
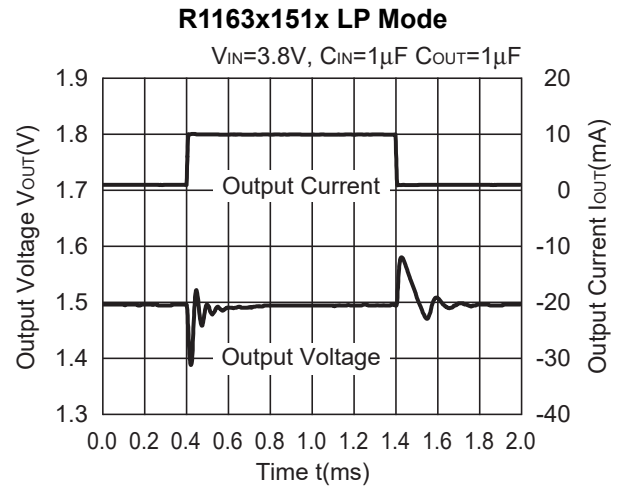
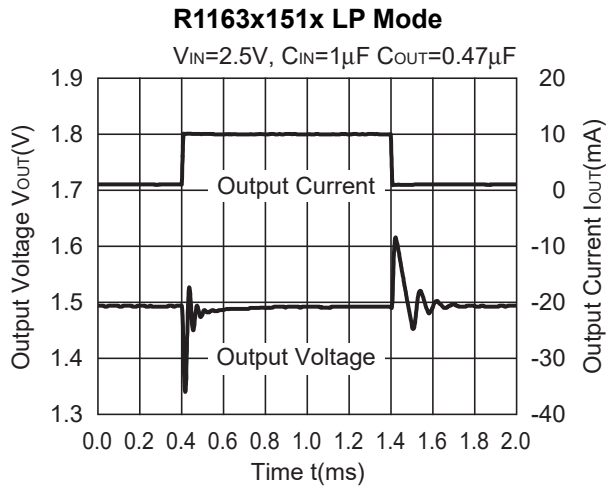


R1163x

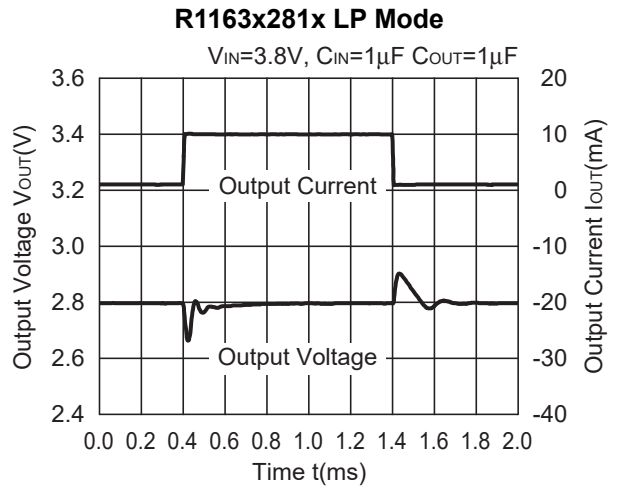
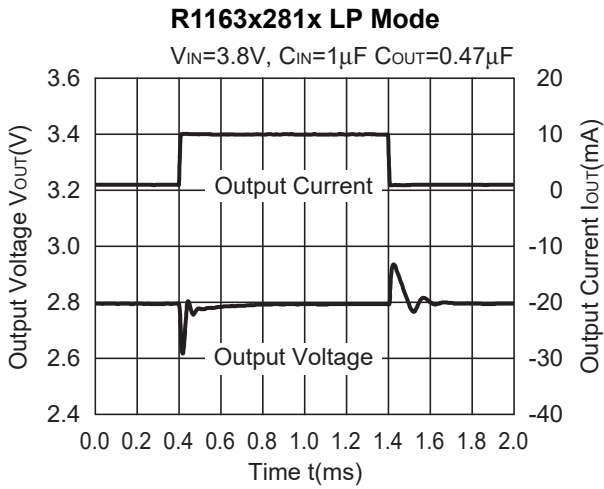


13) Load Transient Response

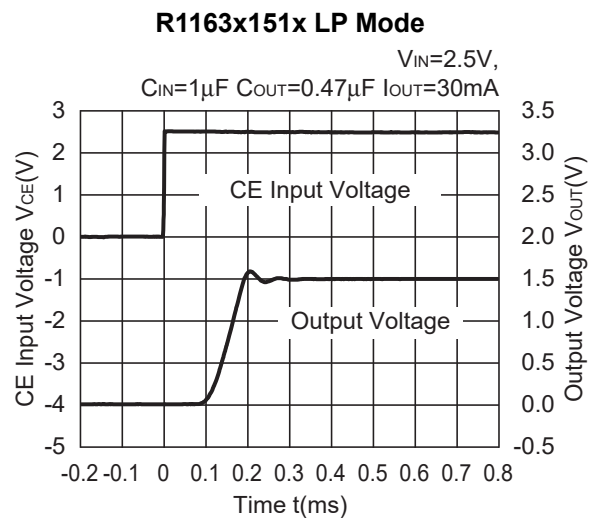
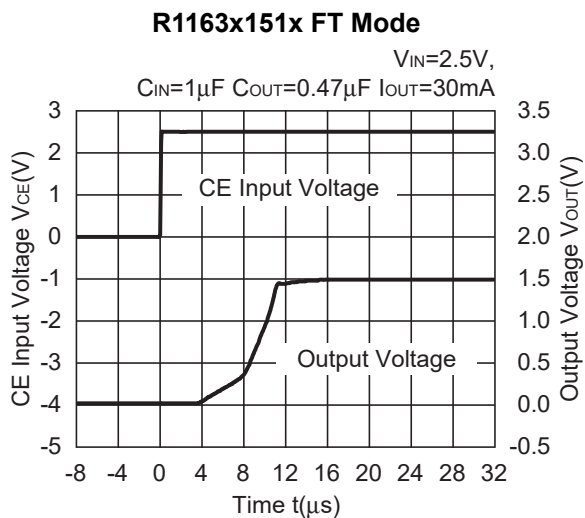
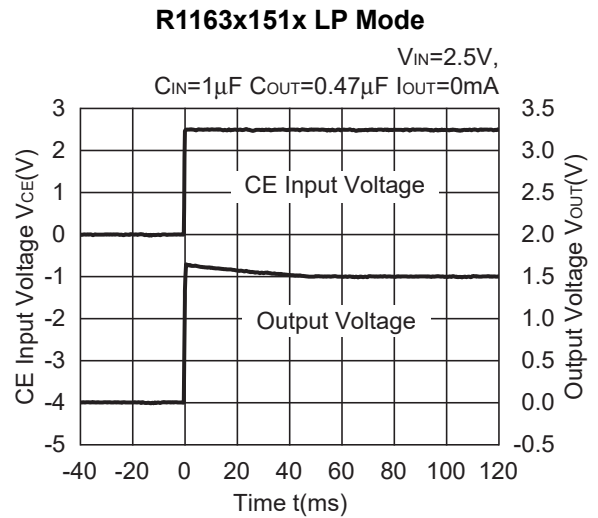
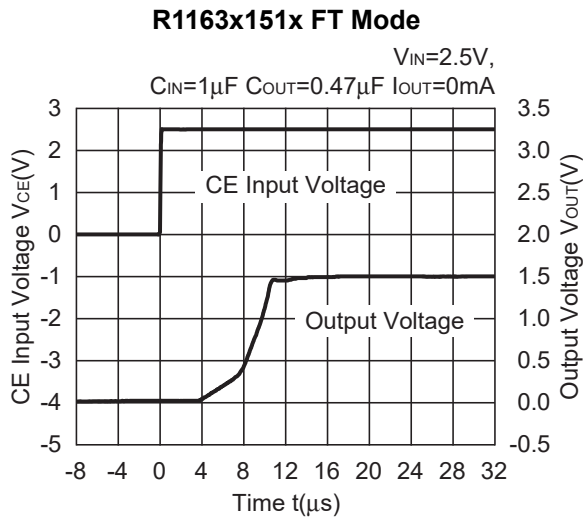




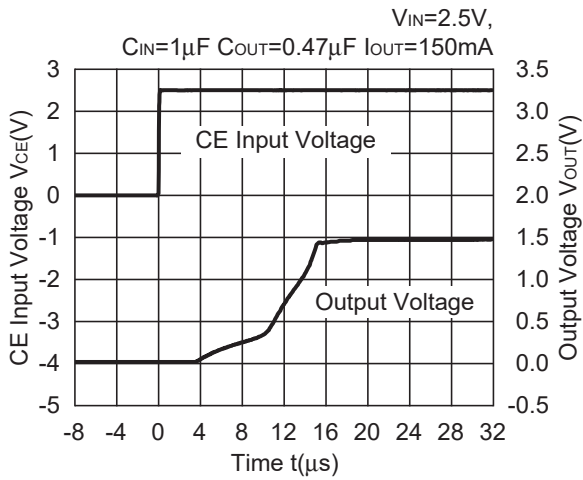
R1163x



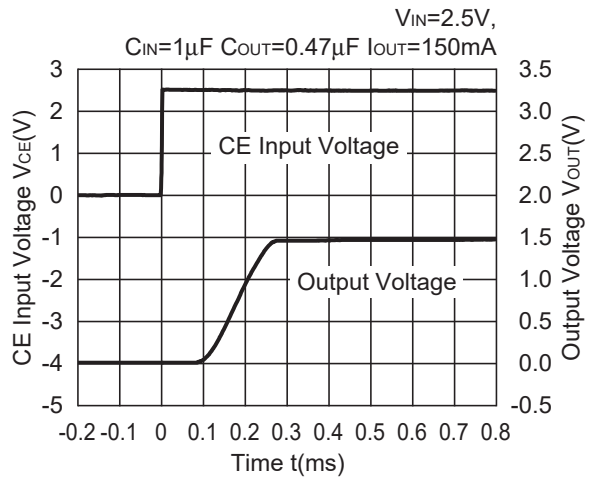
14) Turn on speed with CE pin



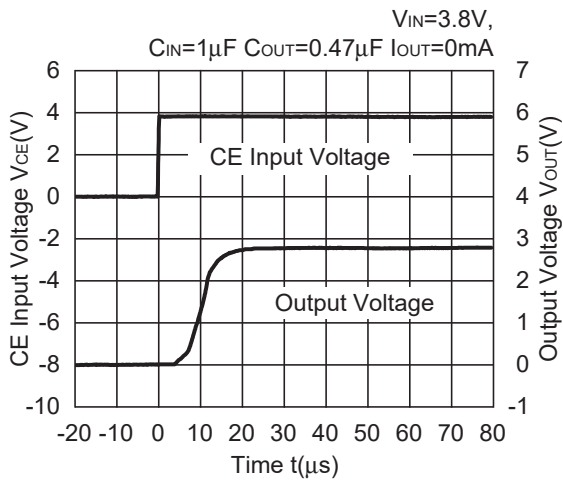
R1163x151x FT Mode



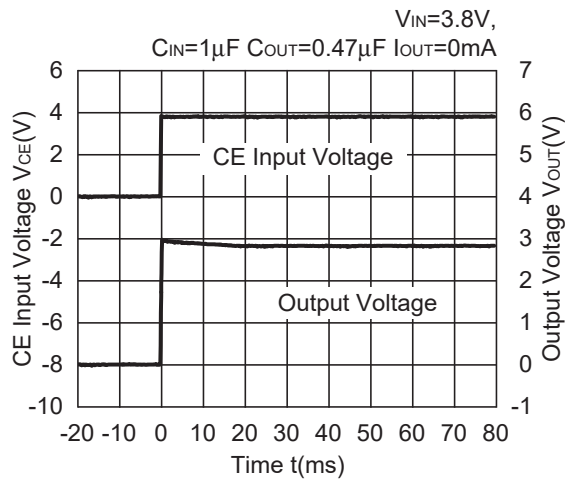
R1163x151x LP Mode



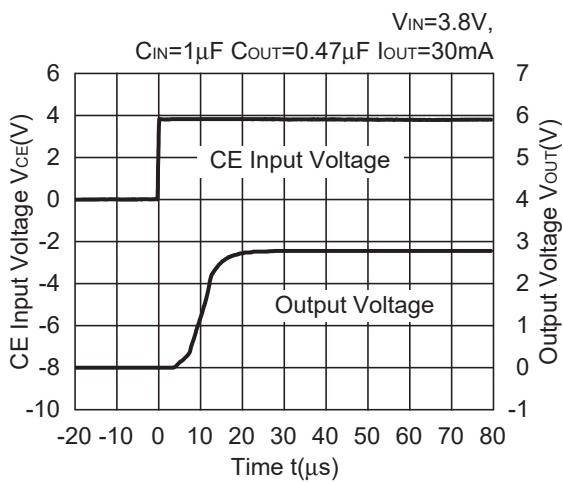
R1163x281x FT Mode



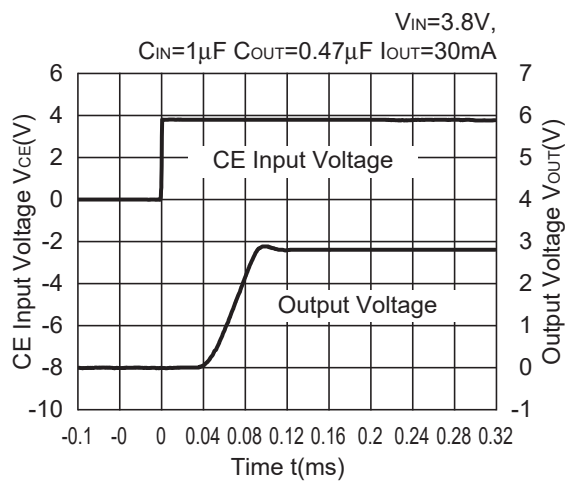
R1163x281x LP Mode



R1163x281x FT Mode

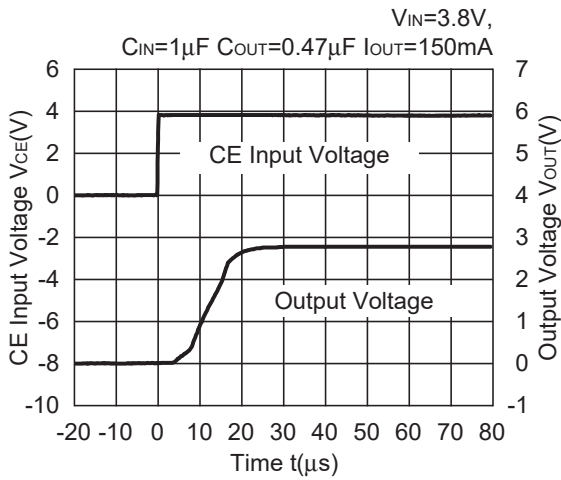


R1163x281x LP Mode

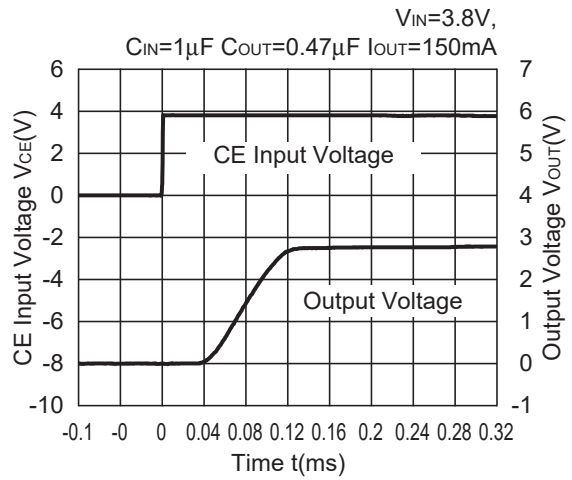


R1163x

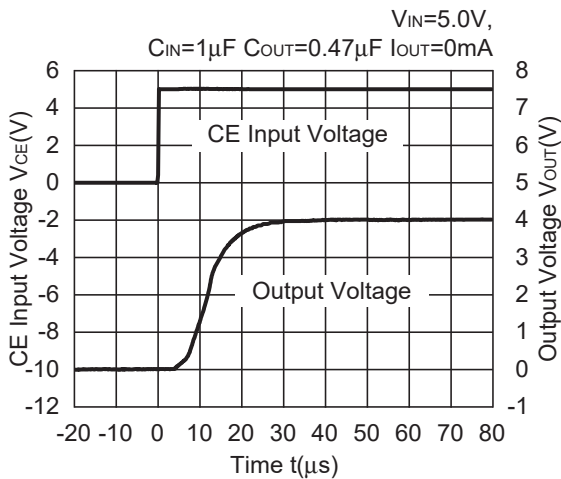
R1163x281x FT Mode



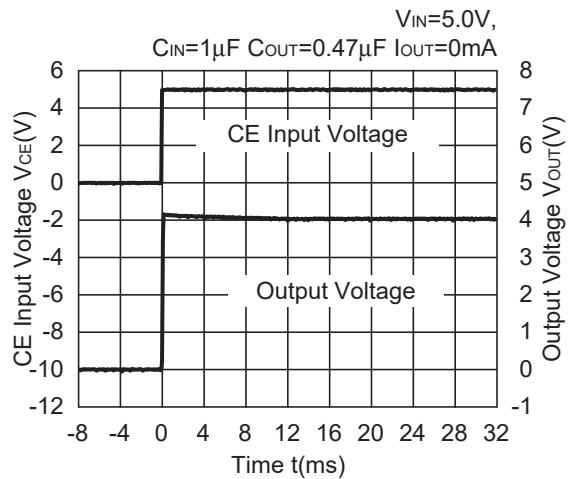
R1163x281x LP Mode



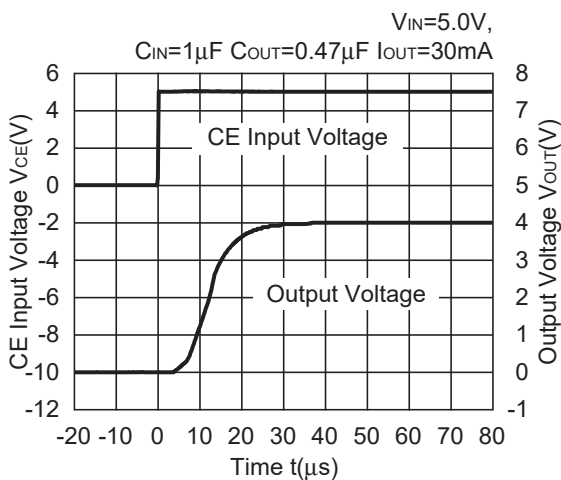
R1163x401x FT Mode



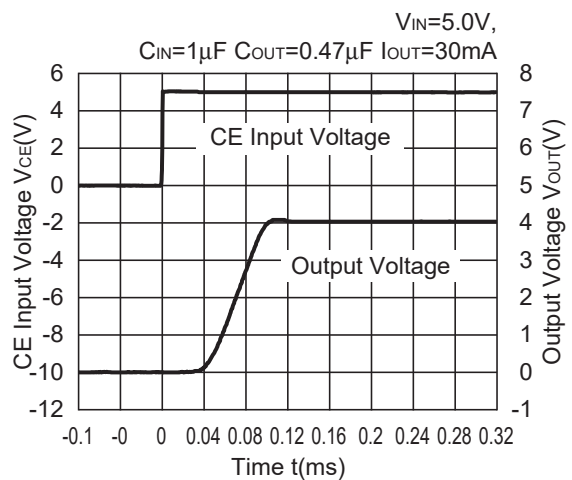
R1163x401x LP Mode



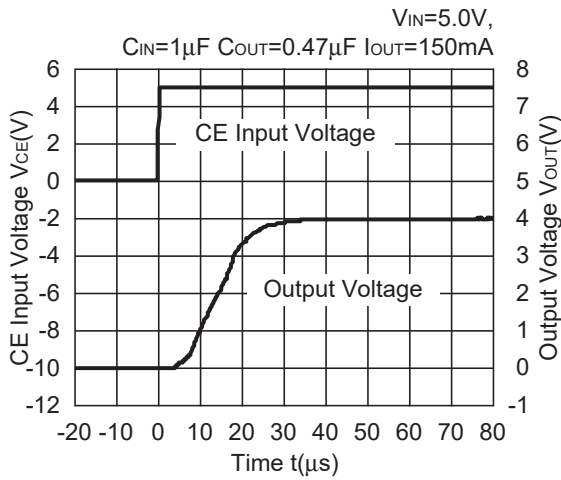
R1163x401x FT Mode



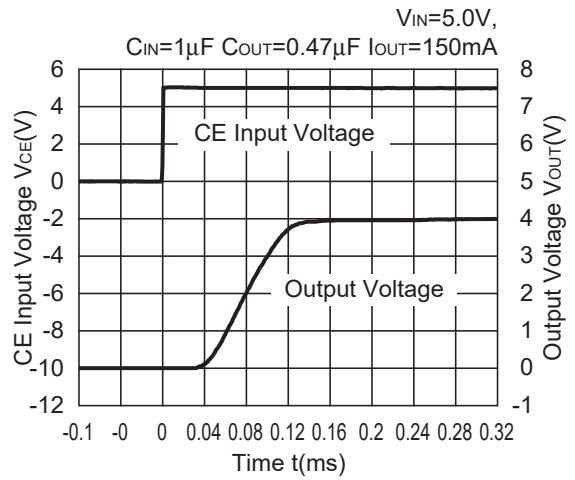
R1163x401x LP Mode



R1163x401x FT Mode

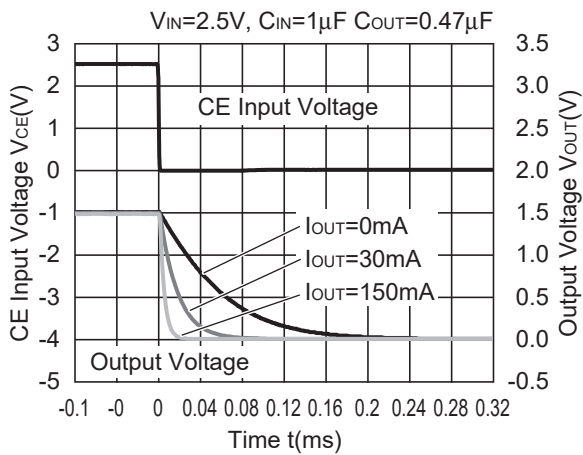


R1163x401x LP Mode

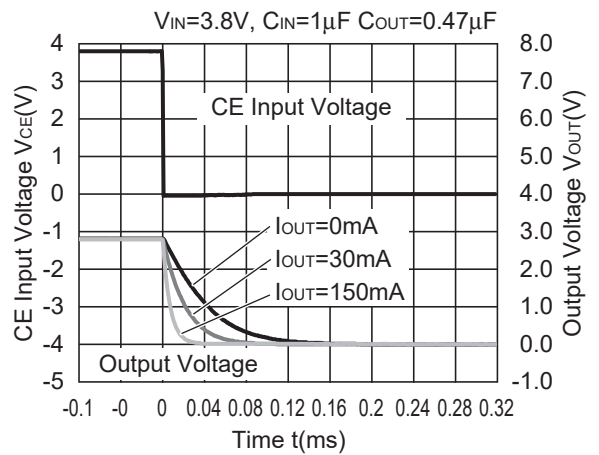


15) Turn off speed with CE pin

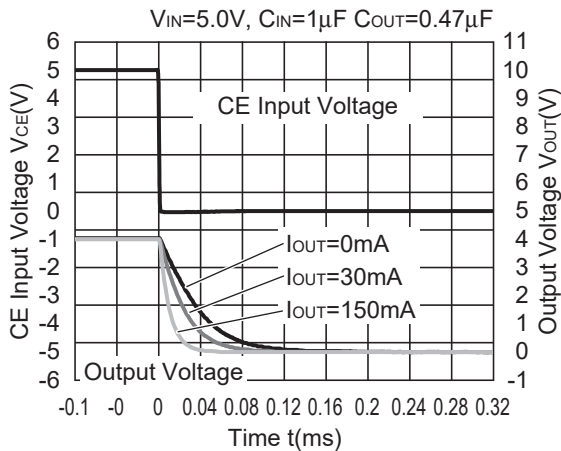
R1163x151xD



R1163x281xD



R1163x401xD

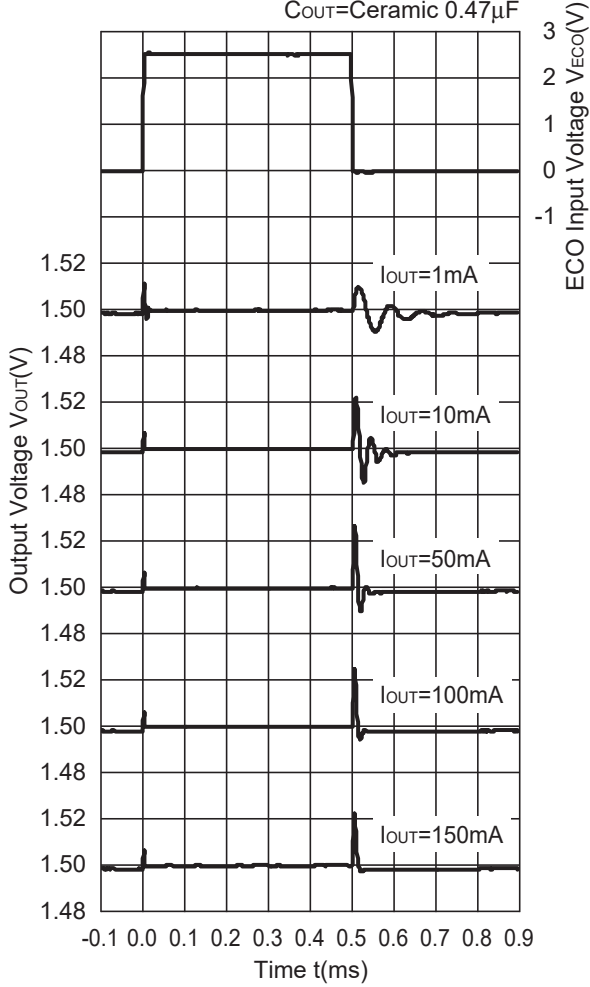


R1163x

16) Output Voltage at Mode alternative point

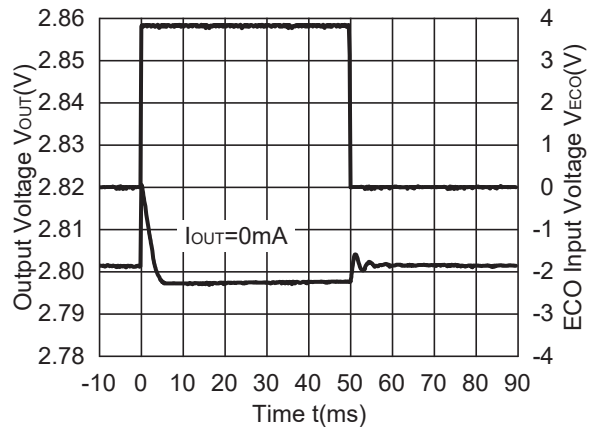
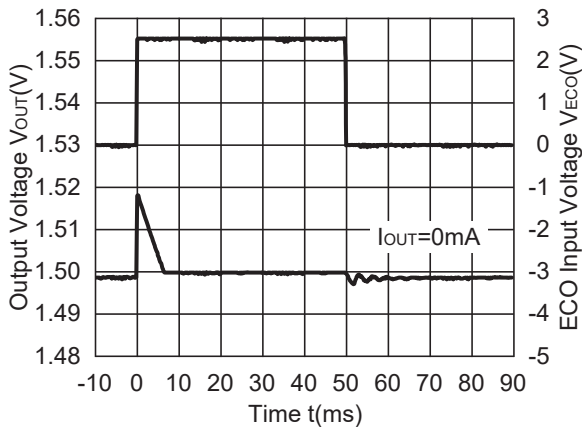
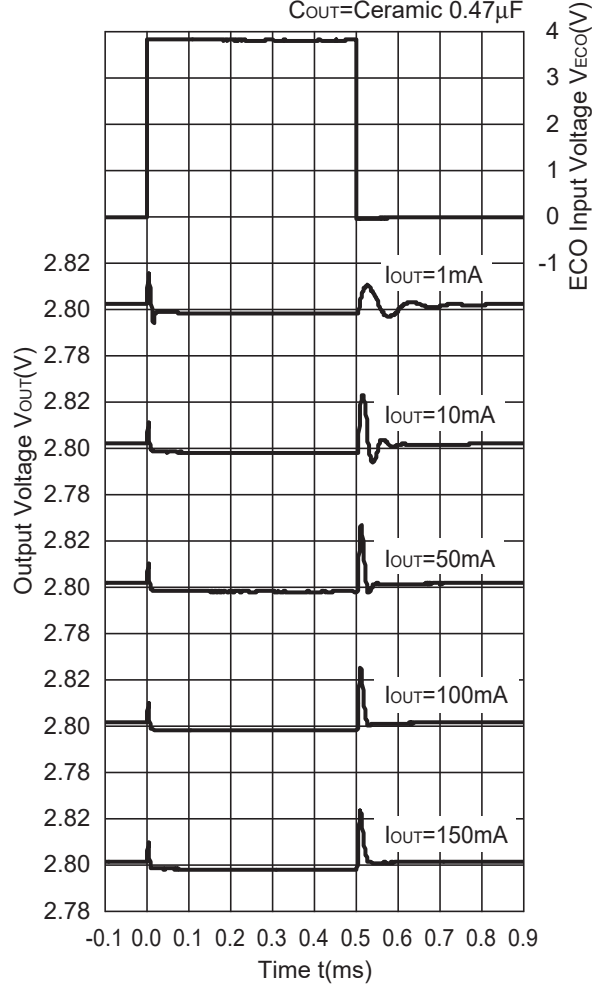
R1163x151B/D

$V_{IN}=2.5V$, C_{IN} =Ceramic $1.0\mu F$,
 C_{OUT} =Ceramic $0.47\mu F$



R1163x281B/D

$V_{IN}=3.8V$, C_{IN} =Ceramic $1.0\mu F$,
 C_{OUT} =Ceramic $0.47\mu F$



TECHNICAL NOTES

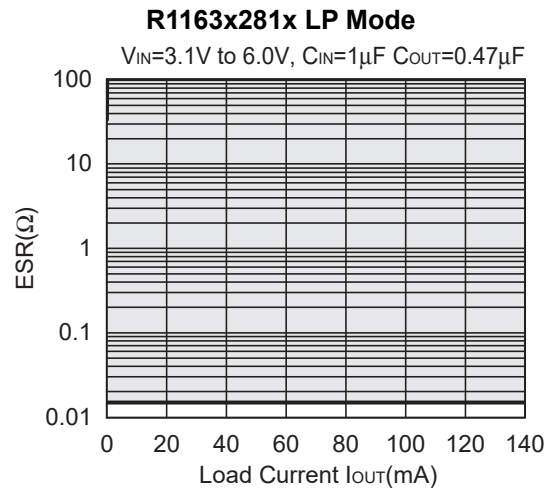
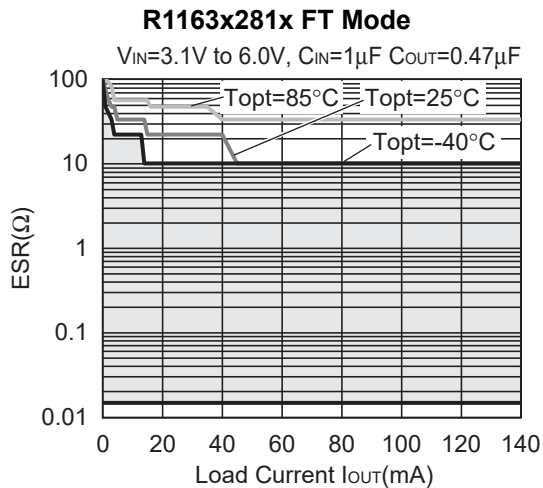
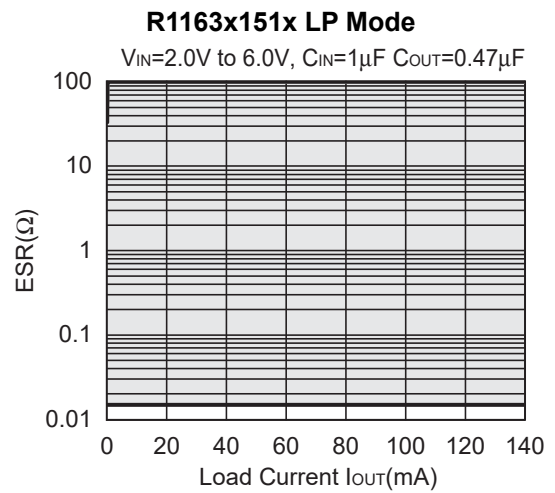
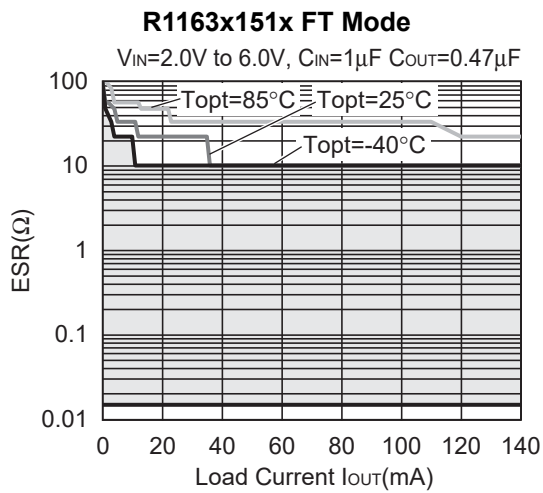
When using these ICs, consider the following points:

In these ICs, phase compensation is made for securing stable operation even if the load current is varied. For this purpose, be sure to use a capacitor C_{OUT} with good frequency characteristics and ESR (Equivalent Series Resistance) in the range described as follows:

The relations between I_{OUT} (Output Current) and ESR of Output Capacitor are shown below. The conditions when the white noise level is under $40\mu V$ (Avg.) are marked as the hatched area in the graph.

<Test conditions>

(1) Frequency band: 10Hz to 2MHz





1. The products and the product specifications described in this document are subject to change or discontinuation of production without notice for reasons such as improvement. Therefore, before deciding to use the products, please refer to our sales representatives for the latest information thereon.
2. The materials in this document may not be copied or otherwise reproduced in whole or in part without prior written consent of our company.
3. Please be sure to take any necessary formalities under relevant laws or regulations before exporting or otherwise taking out of your country the products or the technical information described herein.
4. The technical information described in this document shows typical characteristics of and example application circuits for the products. The release of such information is not to be construed as a warranty of or a grant of license under our company's or any third party's intellectual property rights or any other rights.
5. The products listed in this document are intended and designed for use as general electronic components in standard applications (office equipment, telecommunication equipment, measuring instruments, consumer electronic products, amusement equipment etc.). Those customers intending to use a product in an application requiring extreme quality and reliability, for example, in a highly specific application where the failure or misoperation of the product could result in human injury or death (aircraft, spacevehicle, nuclear reactor control system, traffic control system, automotive and transportation equipment, combustion equipment, safety devices, life support system etc.) should first contact us.
6. We are making our continuous effort to improve the quality and reliability of our products, but semiconductor products are likely to fail with certain probability. In order to prevent any injury to persons or damages to property resulting from such failure, customers should be careful enough to incorporate safety measures in their design, such as redundancy feature, fire containment feature and fail-safe feature. We do not assume any liability or responsibility for any loss or damage arising from misuse or inappropriate use of the products.
7. Anti-radiation design is not implemented in the products described in this document.
8. The X-ray exposure can influence functions and characteristics of the products. Confirm the product functions and characteristics in the evaluation stage.
9. WLCSP products should be used in light shielded environments. The light exposure can influence functions and characteristics of the products under operation or storage.
10. There can be variation in the marking when different AOI (Automated Optical Inspection) equipment is used. In the case of recognizing the marking characteristic with AOI, please contact our sales or our distributor before attempting to use AOI.
11. Please contact our sales representatives should you have any questions or comments concerning the products or the technical information.



Nisshinbo Micro Devices Inc.

Official website

<https://www.nisshinbo-microdevices.co.jp/en/>

Purchase information

<https://www.nisshinbo-microdevices.co.jp/en/buy/>

