

## Product Overview

### CAT6243: LDO Regulator, 1 A, Adjustable

For complete documentation, see the data sheet.

The CAT6243 is a low dropout CMOS voltage regulator providing up to 1000 mA of output current with fast response to load current and line voltage changes. CAT6243 offers a user adjustable output voltage from 0.8 V to 5.0 V and its low quiescent current make CAT6243 ideal for energy conscious designs. CAT6243 is packaged in a space saving 3 mm x 3 mm WDFN-6 package with a power pad for heat sinking to the PCB.

#### Features

- 2.0% Output Voltage Accuracy Over Temperature
- Current Limit and Thermal Protection
- 4 and 5 Lead DPAK-5 and 3 mm x 3 mm WDFN-6 Power Packages
- Guaranteed 1000 mA Continuous Output Current
- V<sub>OUT</sub>: 0.8 V to 5.0 V
- Dropout Voltage of 350 mV Typical at 1000 mA
- No-load Ground Current of 70  $\mu$ A Typical
- Full-load Ground Current of 140  $\mu$ A Typical
- Zero Current Shutdown Mode
- Under Voltage Lockout

For more features, see the data sheet

#### Benefits

- Accurate and stable output
- Safe to use
- Small footprint

#### Applications

- DSP Core and I/O Voltages
- FPGAs, ASICs
- PDAs, Mobile Phones, GPS
- Camcorders and Cameras
- Hard Disk Drives

#### Application Diagram

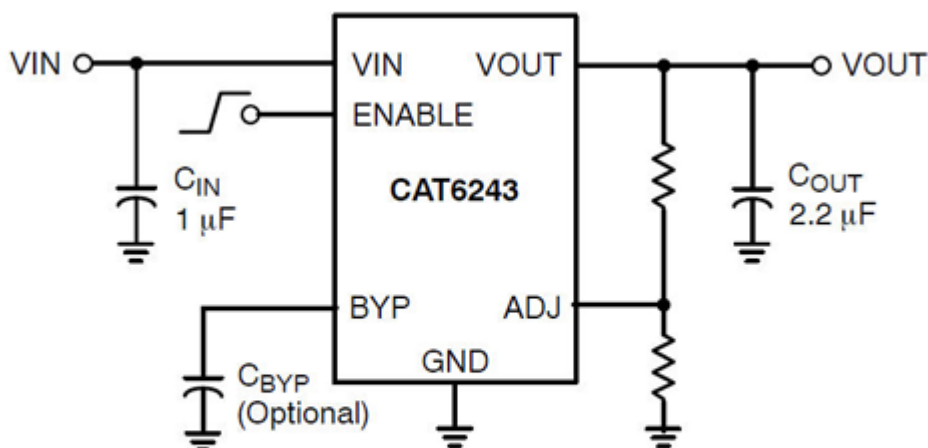


Figure 1. Application Schematic